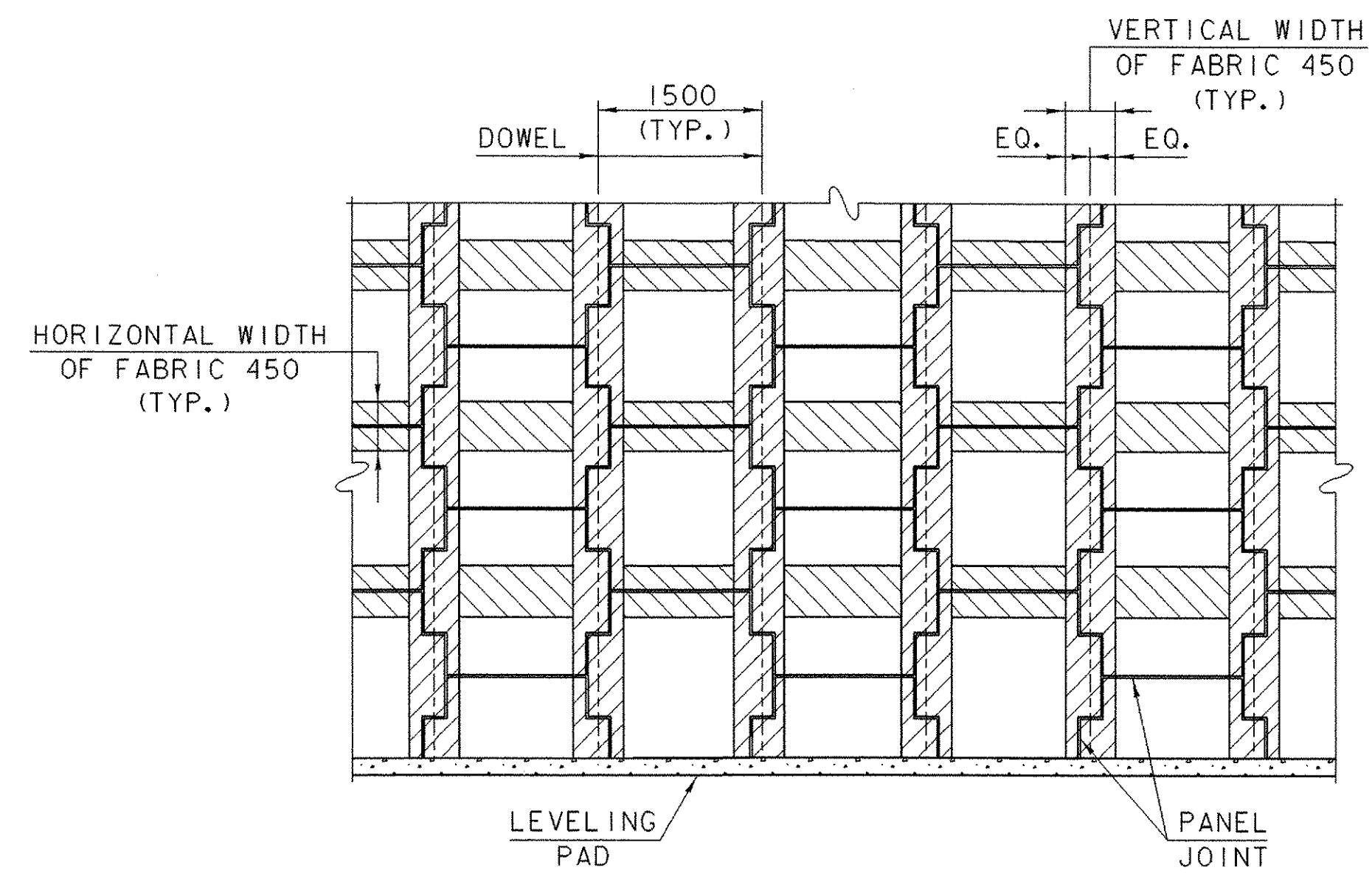


**COPING OVER SLIP JOINT COVER
PARTIAL ELEVATION - FRONT FACE**

NTS



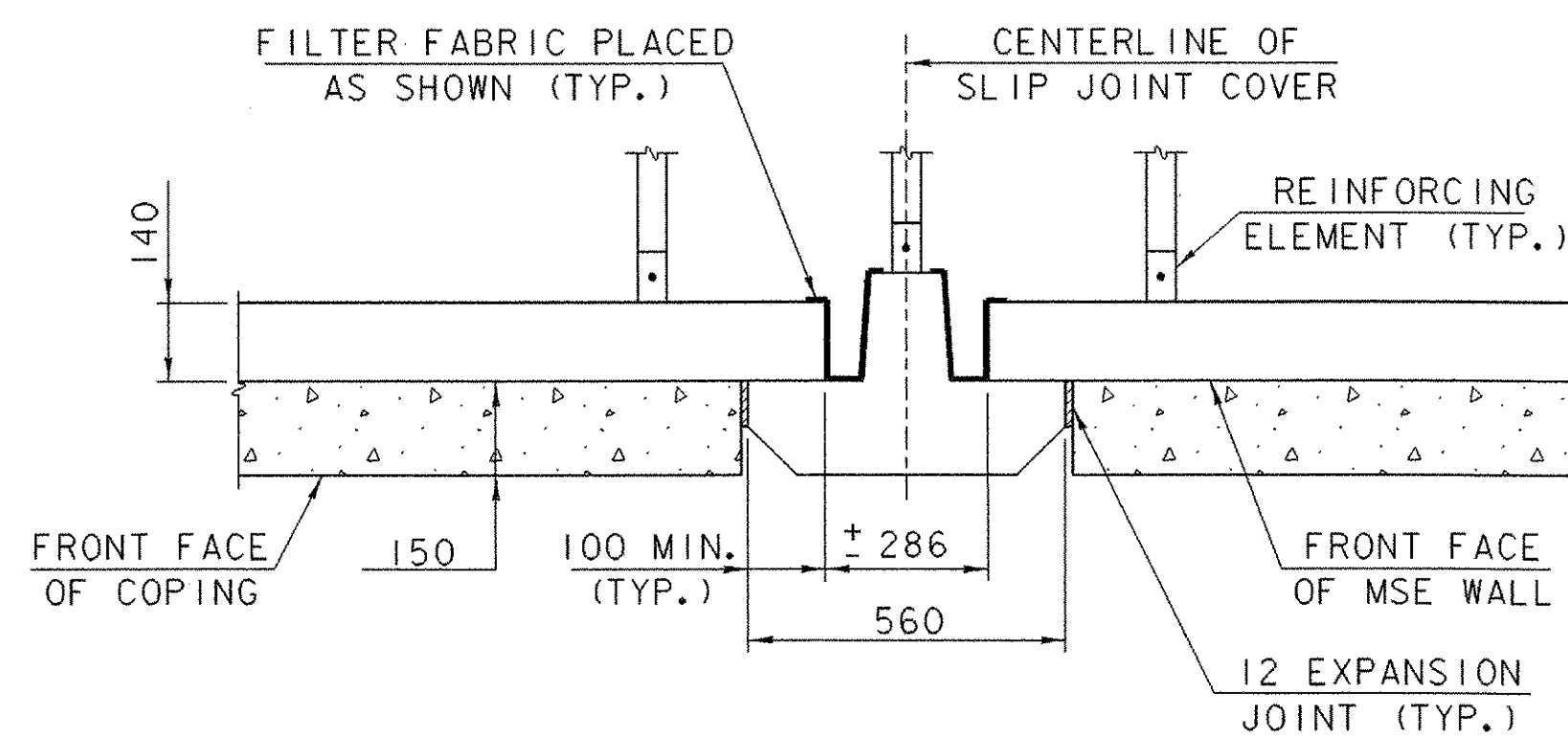
**FILTER FABRIC DETAIL
PARTIAL ELEVATION - BACK FACE**

NTS

NOTE:

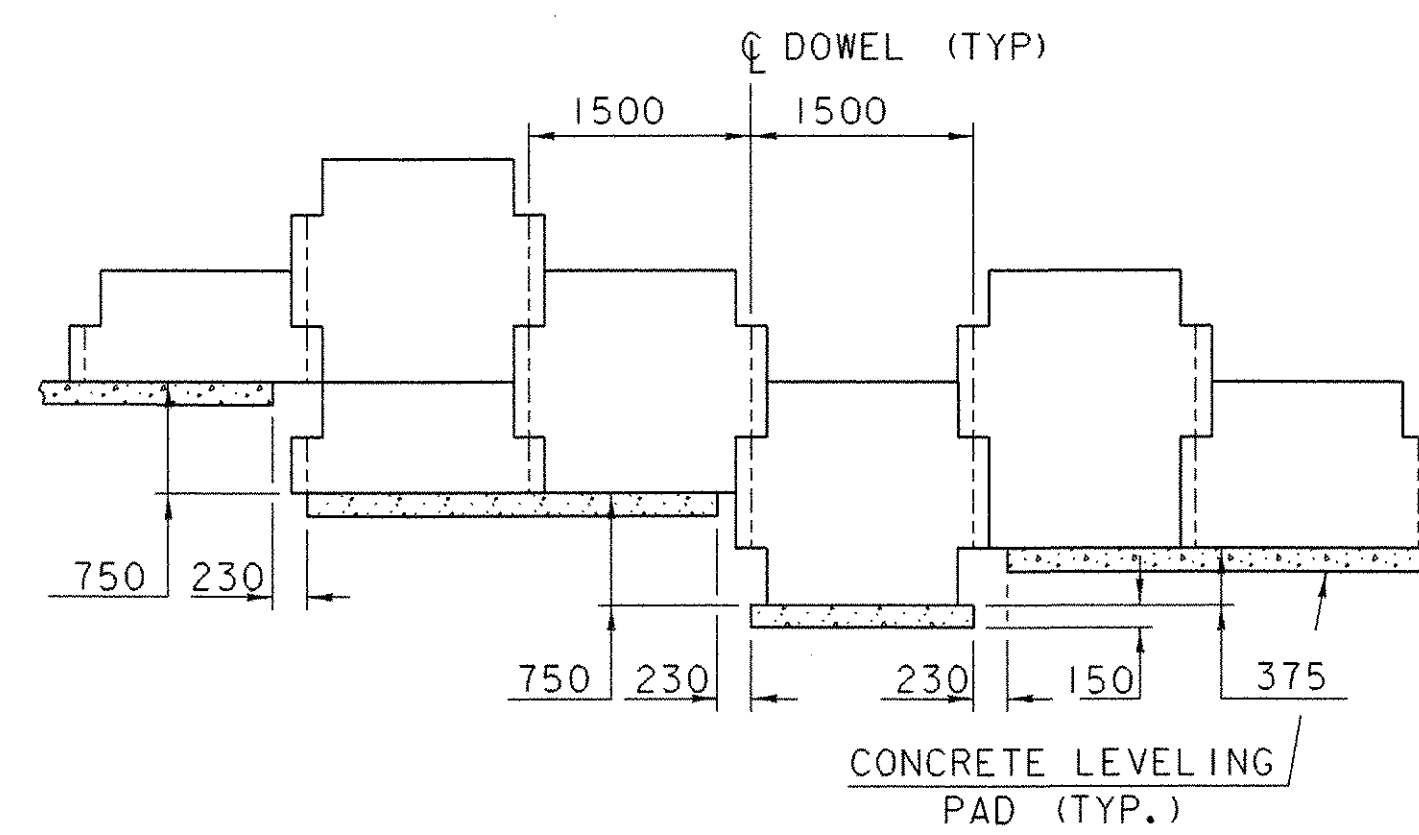
STRIPS OF FILTER FABRIC, MEETING VAOT STANDARD SPECIFICATION 720 FOR GEOTEXTILE UNDER STONE FILL, SHALL BE PLACED ON BACK FACE OF PANEL OVER PANEL JOINTS. FILTER CLOTH SHALL BE ADHERED TO BACK FACE OF PANELS USING AN ADHESIVE COMPOUND SUPPLIED BY THE MANUFACTURER AND APPROVED BY THE PROJECT MANAGER.

THE CONTRACTOR SHALL PROVIDE THE RESIDENT ENGINEER WITH THE MANUFACTURERS TECHNICAL DATA SHEET AND APPLICATION INSTRUCTIONS FOR THE ADHESIVE COMPOUND.



SLIP JOINT COVER PLAN DETAIL

NTS



TYPICAL LEVELING PAD STEP DETAIL

NTS

PROJECT NAME:	BARTON
PROJECT NUMBER:	STP 0113 (58) S
FILE NAME:	96c116/structures/sc116mse1.dgn
IPARM NAME:	sc116mse_det2.i
PROJECT LEADER:	C.P. WILLIAMS
DESIGNED BY:	W.B. SYMONDS
MSE WALL DETAILS	
PLOT DATE:	03-JAN-2002
DRAWN BY:	W.B. SYMONDS
CHECKED BY:	R.S. YOUNG
SHEET	73 OF 120