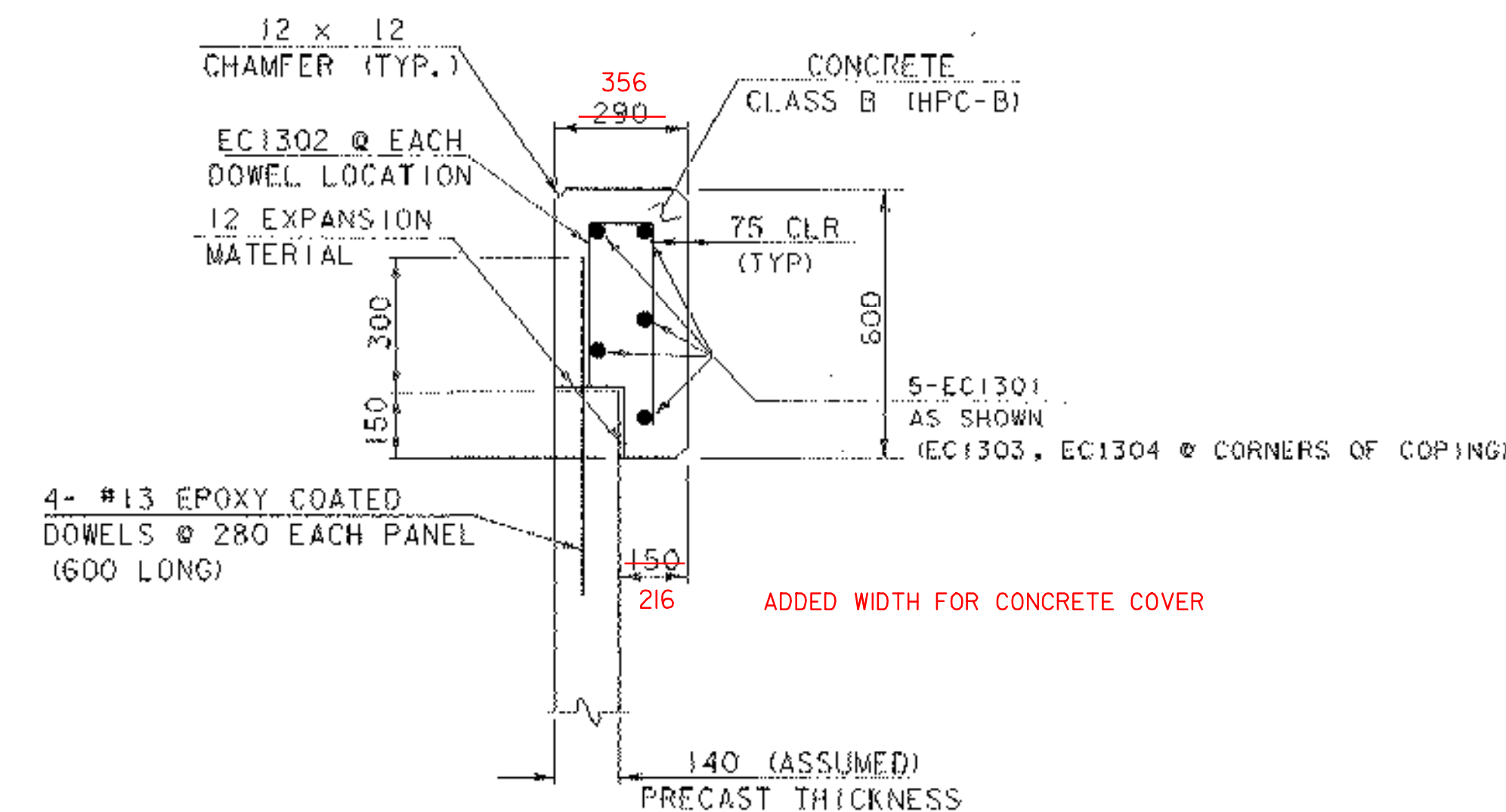


C.I.P. COPING
PARTIAL ELEVATION - FRONT FACE
NTS

NOTE:

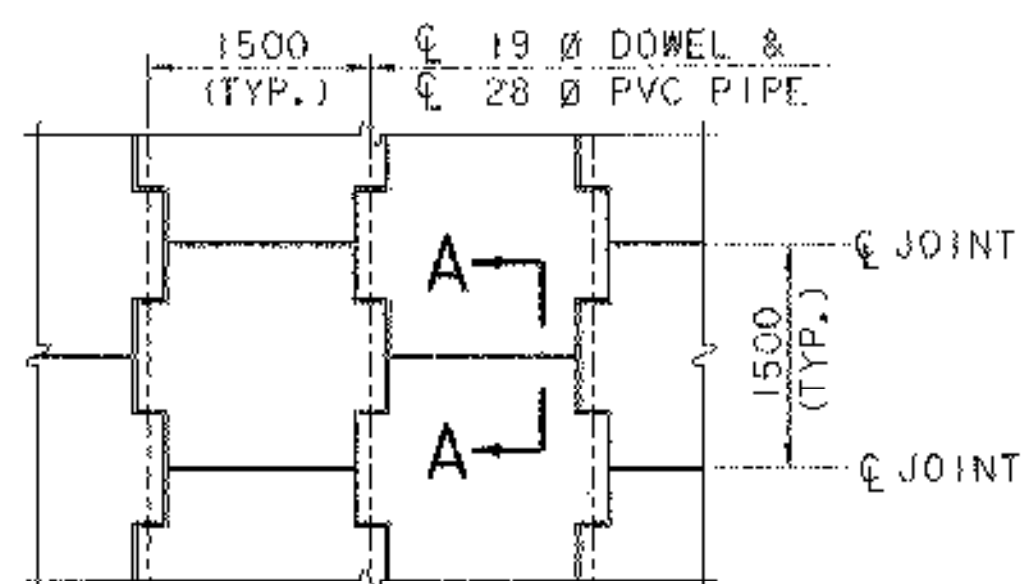
JOINTS IN COPING SHALL BE AT 2 PANEL INTERVALS AND COINCIDE APPROXIMATELY WITH PANEL JOINTS. REINFORCING STEEL SHALL BE STOPPED 75 SHORT OF EITHER SIDE OF THE CONSTRUCTION AND EXPANSION JOINTS. COMPRESSIBLE CORK BOND BREAKER MATERIAL SHALL BE PLACED BETWEEN THE PANELS AND THE COPING TO PREVENT CRACKING.



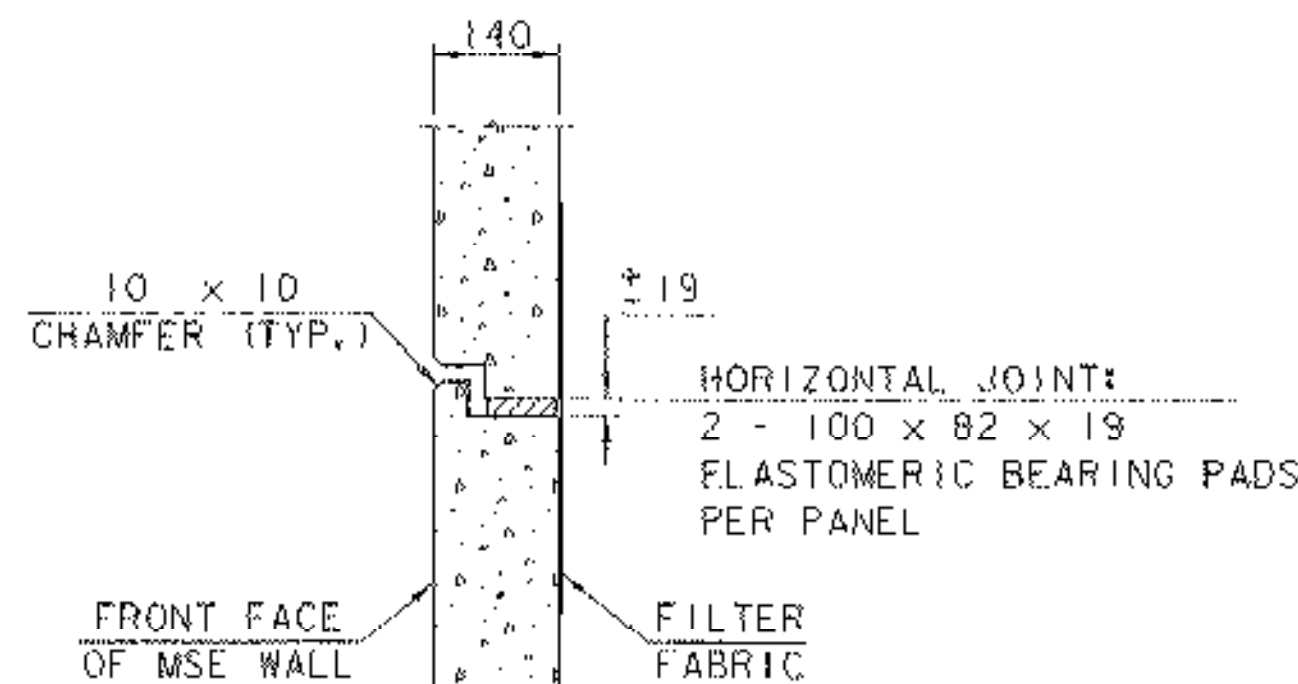
C.I.P. CONCRETE COPING
NTS

NOTES:

1. THE #13 DOWELS SHALL BE CAST INTO THE PRECAST MSE WALL PANELS. THE DOWELS SHALL BE GRADE 420 EPOXY COATED REINFORCING STEEL.
2. THE CONTRACTOR SHALL EXERCISE CARE NOT TO STAIN THE MSE WALL PANELS WHEN PLACING CAST-IN-PLACE CONCRETE. ANY STAINING AS A RESULT OF CONCRETE PLACEMENT SHALL BE REMOVED AT THE CONTRACTOR'S EXPENSE.
3. THE DRILLING OF HOLES IN THE PRECAST MSE WALL PANELS FOR THE PURPOSE OF FORMING SHALL NOT BE ALLOWED.



TYPICAL PANEL LAYOUT
PARTIAL ELEVATION - FRONT FACE
NTS



SECTION A - A
NTS

**ARCHIVED
ON CADD**

PROJECT NAME:	BARTON
PROJECT NUMBER:	STP 0113 (58)S
FILE NAME:	196c116/structures/sc116mse.dgn
IPARM NAME:	sc116mse_det1.i
PROJECT LEADER:	C.P. WILLIAMS
DESIGNED BY:	W.B. SYMONDS
MSE WALL DETAILS	
PLOT DATE:	03-JAN-2002
DRAWN BY:	W.B. SYMONDS
CHECKED BY:	R.S. YOUNG
SHEET	72 OF 120