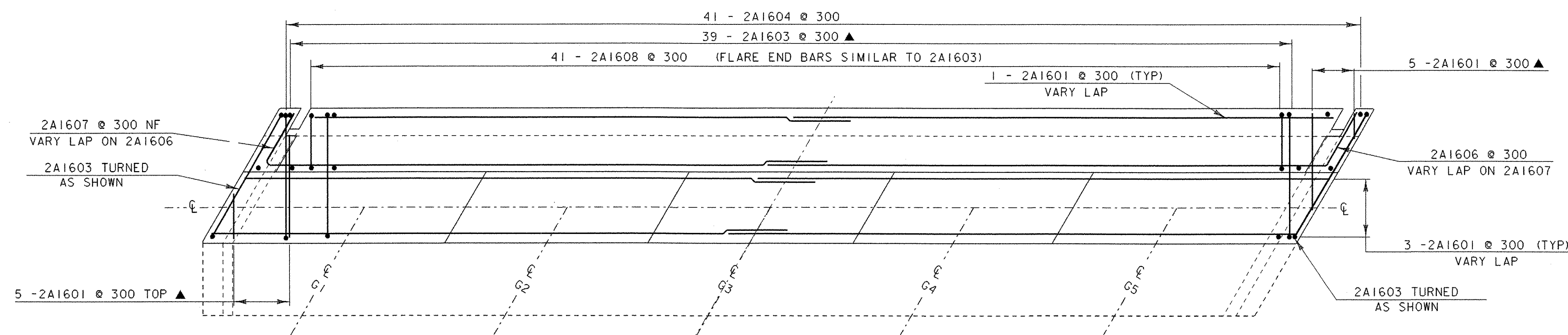


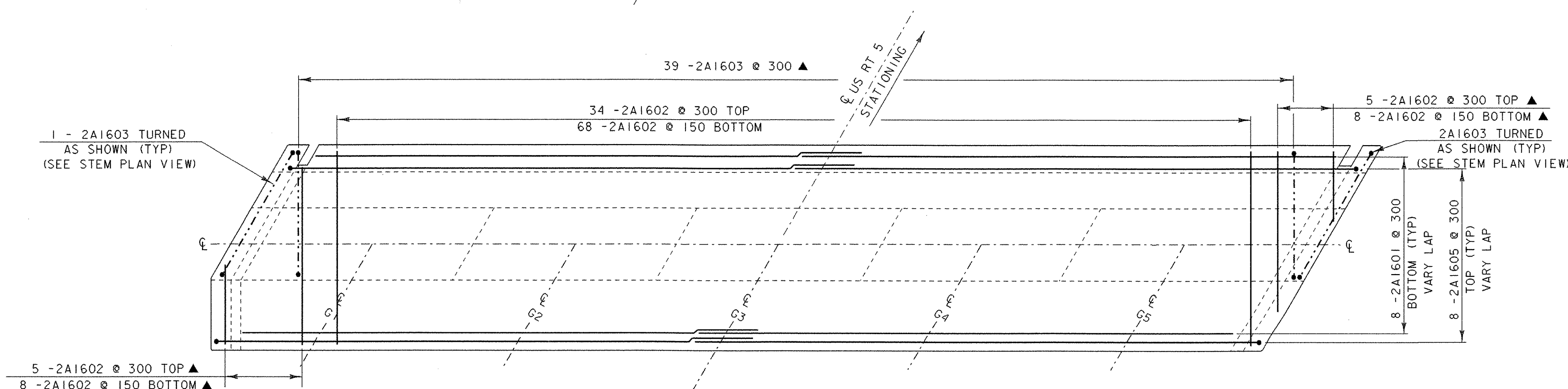
PLAN VIEW
ABUTMENT #2 BACKWALL

SCALE 1 : 30



PLAN VIEW
ABUTMENT #2 STEM

SCALE 1 : 30

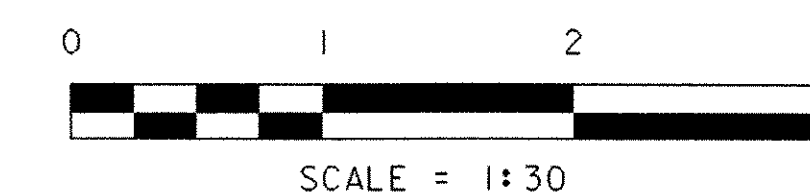


PLAN VIEW
ABUTMENT #2 FOOTING

SCALE 1 : 30

NOTE:

NF = NEAR FACE
FF = FAR FACE
EF = EACH FACE
▲ = CUT TO FIT IN FIELD
75 CLR. UNLESS OTHERWISE SPECIFIED ON THE PLANS.
ALL LAPS SHALL BE 660 UNLESS NOTED OTHERWISE



PROJECT NAME:	BARTON	PLOT DATE:	03-JAN-2002
PROJECT NUMBER:	STP 0113 (58) S	DRAWN BY:	T. ANDERSON
FILE NAME:	96c116/STRUCTURES/sc116sub.dgn	DESIGNED BY:	W. B. SYMONDS
IPARM NAME:	96c116/STRUCTURES/sc116abut2a.1	CHECKED BY:	W. B. SYMONDS
PROJECT LEADER:	C. P. WILLIAMS	SHEET	67 OF 120
ABUTMENT #2 DETAILS			