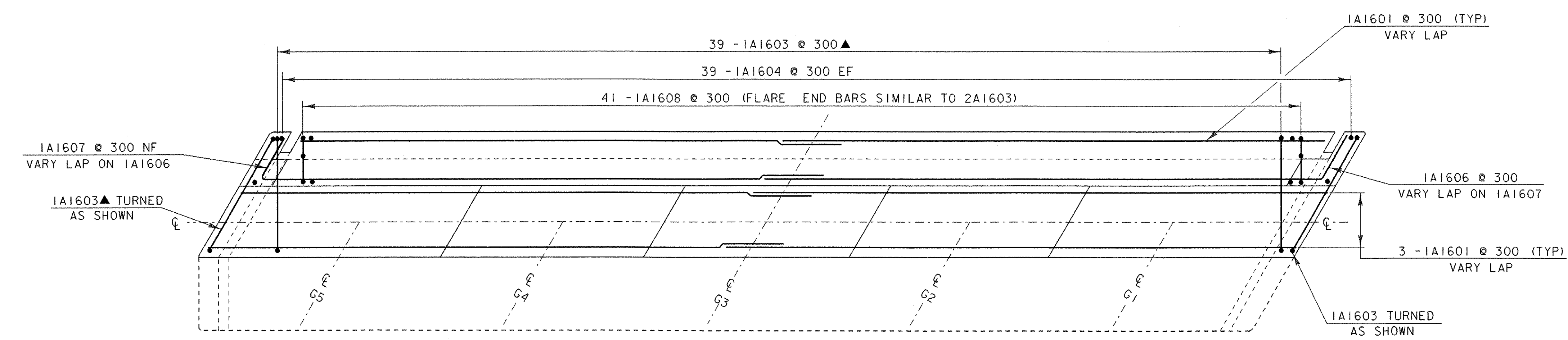


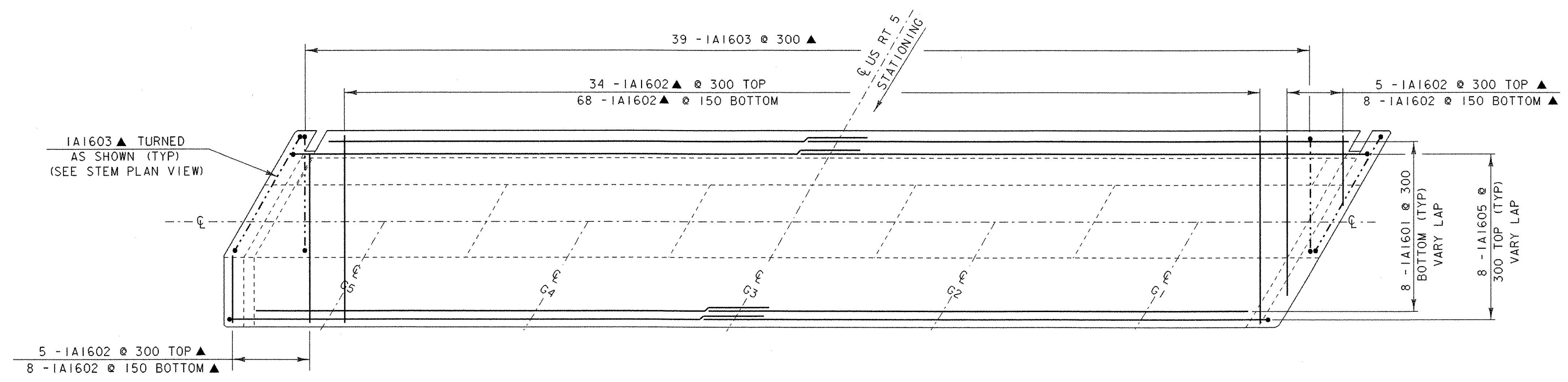
PLAN VIEW
ABUTMENT #1 BACKWALL

SCALE 1 : 30



PLAN VIEW
ABUTMENT #1 STEM

SCALE 1 : 30



PLAN VIEW
ABUTMENT #1 FOOTING

SCALE 1 : 30

NOTE:

NF = NEAR FACE
FF = FAR FACE
EF = EACH FACE
▲ = CUT TO FIT IN FIELD
75 CLR. UNLESS OTHERWISE SPECIFIED ON THE PLANS.

ALL LAPS SHALL BE 660 UNLESS NOTED OTHERWISE



SCALE = 1:30

PROJECT NAME:	BARTON
PROJECT NUMBER:	STP 0113 (58)S
FILE NAME:	96c116/STRUCTURES/sc116 sub.dgn
IPARM NAME:	96c116/STRUCTURES/sc116 abut1a.1
PROJECT LEADER:	C.P. WILLIAMS
DESIGNED BY:	W. B. SYMONDS
ABUTMENT #1 DETAILS	
PLOT DATE:	03-JAN-2002
DRAWN BY:	T. ANDERSON
CHECKED BY:	W. B. SYMONDS
SHEET	65 OF 120