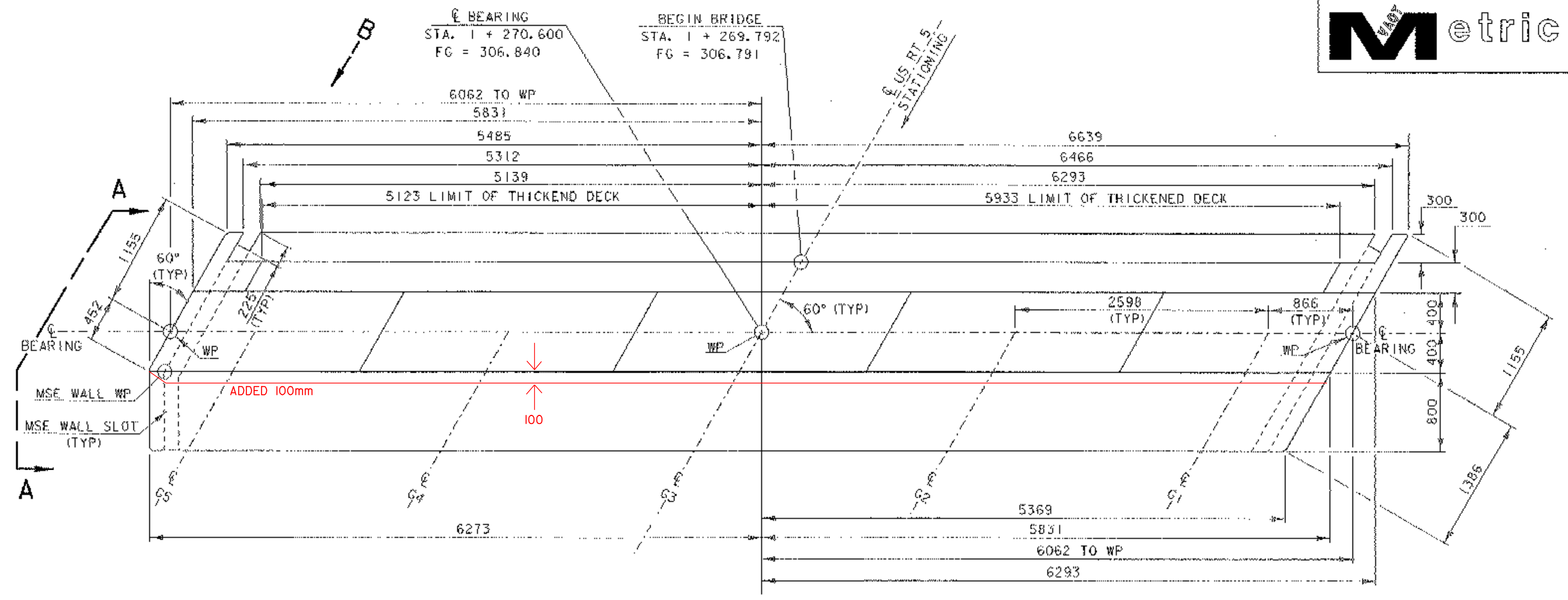


VIEW B VIEW A - A

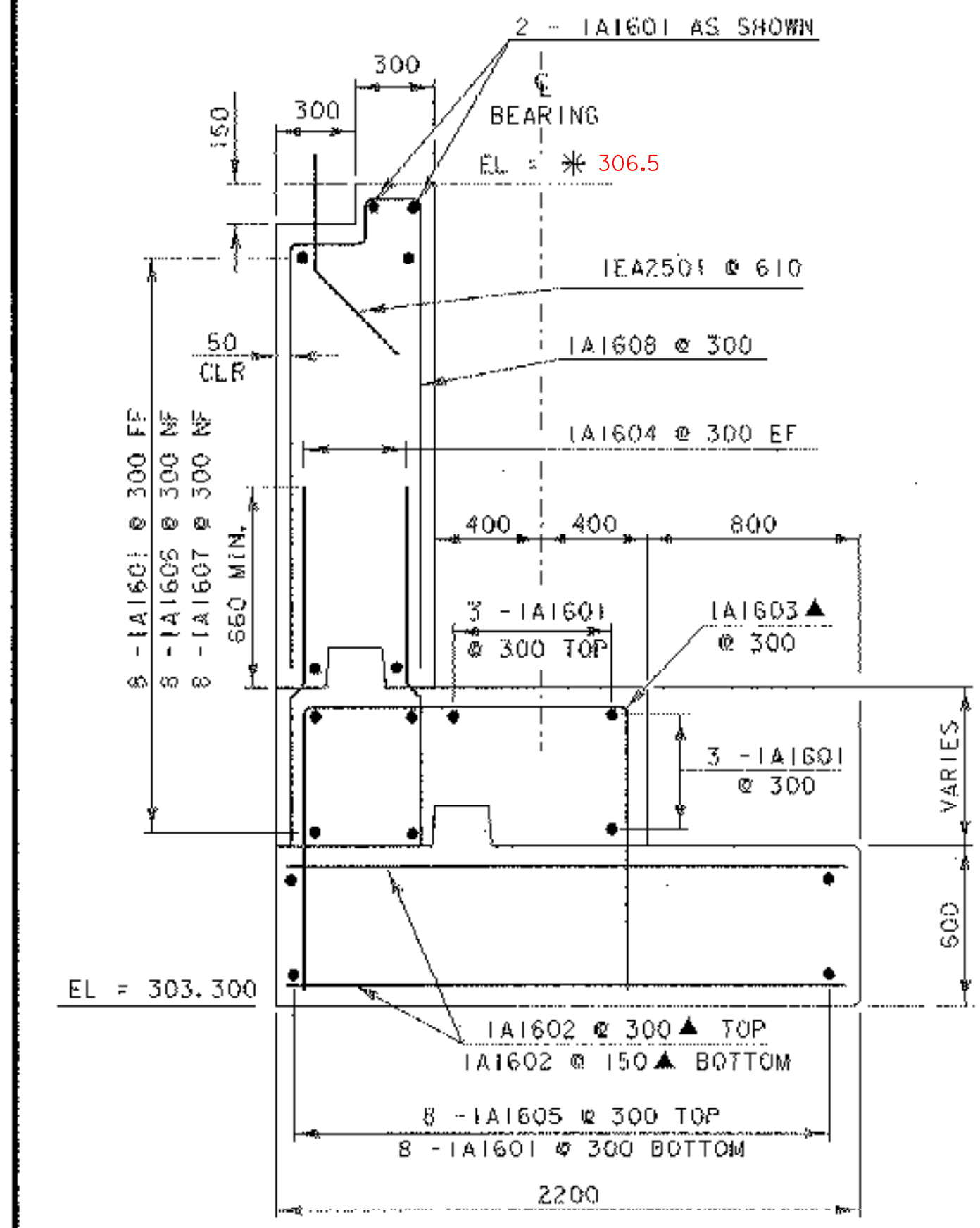
ABUTMENT #1 TYPICAL END SECTION

NOT TO SCALE



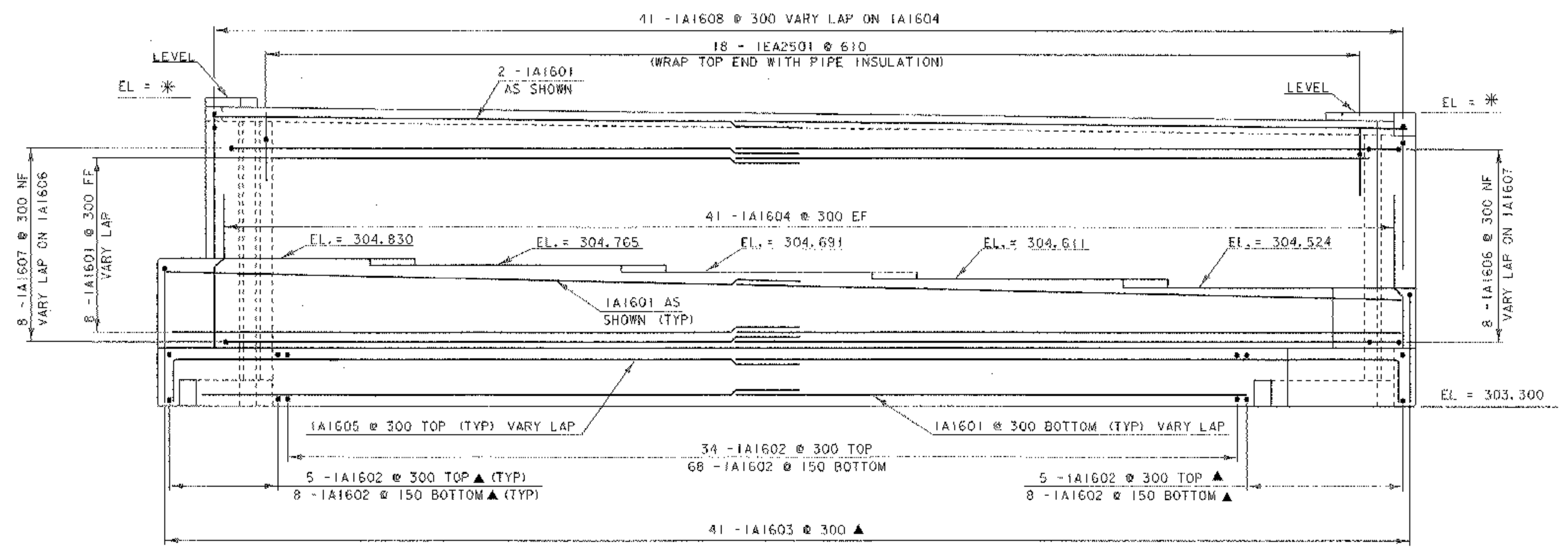
ABUTMENT #1 PLAN

SCALE 1:30



ABUTMENT #1 TYPICAL SECTION

SCALE 1:20

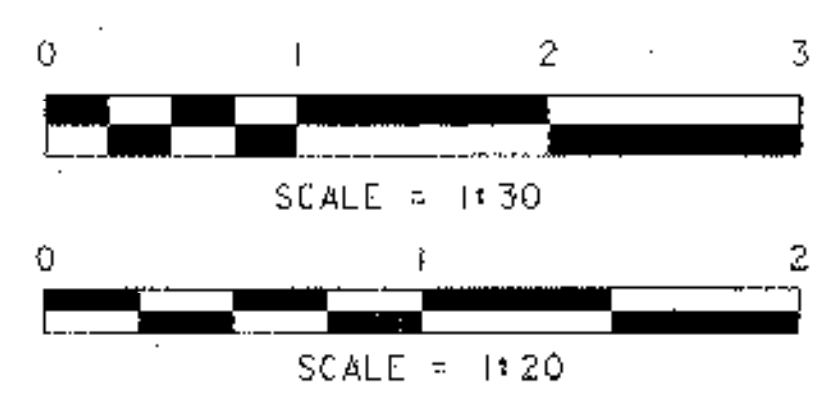


ABUTMENT #1 ELEVATION

SCALE 1:30

NOTES:

- NF = NEAR FACE
- FF = FAR FACE
- EF = EACH FACE
- ▲ = CUT TO FIT IN FIELD
- 75 CLR. UNLESS OTHERWISE SPECIFIED ON THE PLANS.
- ALL LAPS SHALL BE 660 UNLESS NOTED OTHERWISE
- * ELEVATION TO BE DETERMINED AFTER STRUCTURAL STEEL IS SET



ARCHIVED
ON CADD

PROJECT NAME:	BARTON	PLOT DATE:	03-JAN-2002
PROJECT NUMBER:	STP 0113 (58) S	DRAWN BY:	T. ANDERSON
FILE NAME:	96c116/STRUCTURES/sc116 sub.dgn	CHECKED BY:	W. B. SYMONDS
IPARM NAME:	96c116/STRUCTURES/sc116 abut1.t	DESIGNED BY:	W. B. SYMONDS
PROJECT LEADER:	C. P. WILLIAMS	ABUTMENT #1 DETAILS	SHEET 64 OF 120