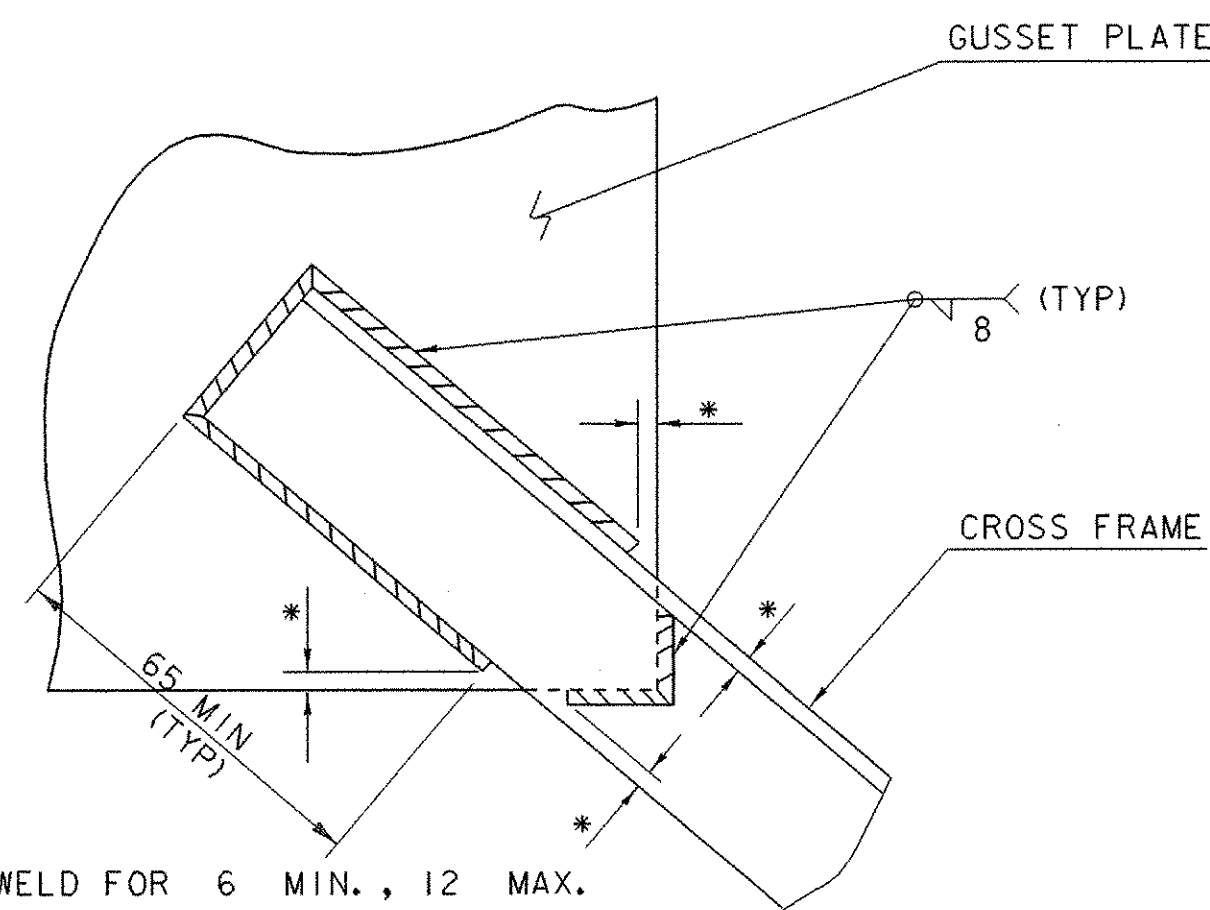


**DRIP PLATE  
PLAN VIEW**

**SECTION A - A**

NTS

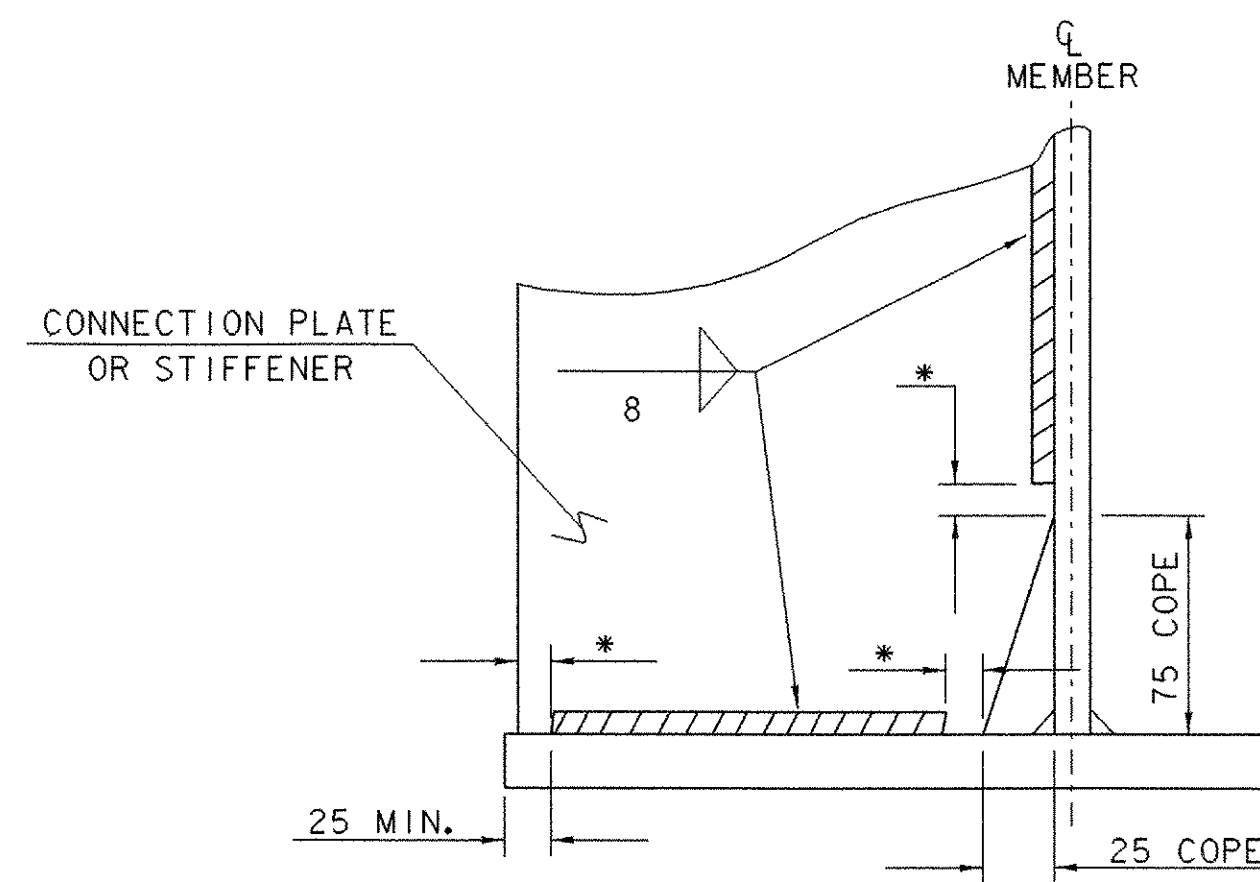
NOTE: DRIP PLATES SHALL BE PLACED ON OUTSIDE EDGE OF FASCIA GIRDERS ON THE HIGH SIDE OF ALL PIERS AND ABUTMENTS OR AS INDICATED ON PROJECT PLANS.



\* = NO WELD FOR 6 MIN. , 12 MAX.

**WELD LOCATION DETAIL  
AT CROSS FRAMES AND  
LATERAL BRACING**

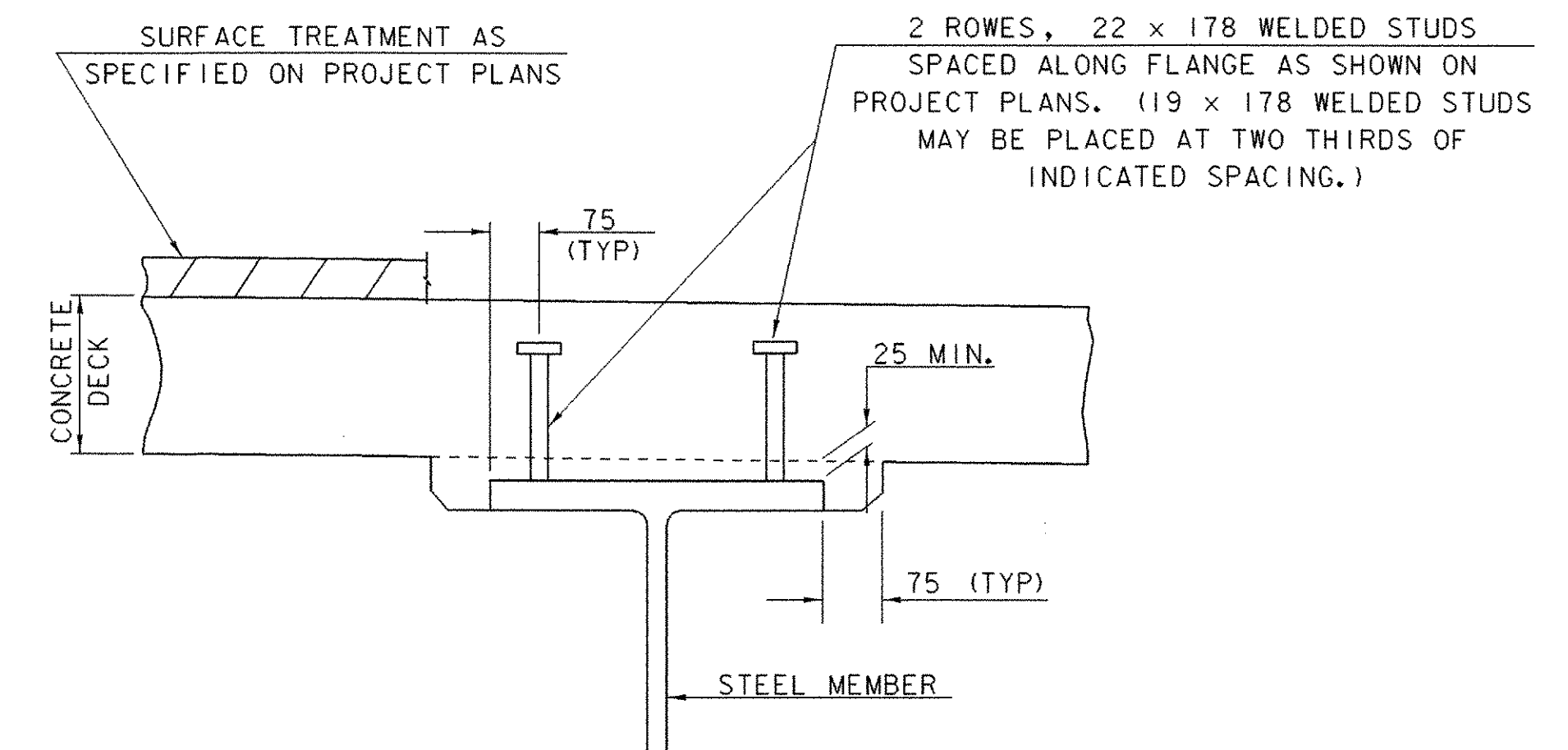
NTS



\* = NO WELD FOR 6 MIN. , 12 MAX.  
(EXCEPT MUST MAINTAIN 25 MINIMUM FROM EDGE OF FLANGE)

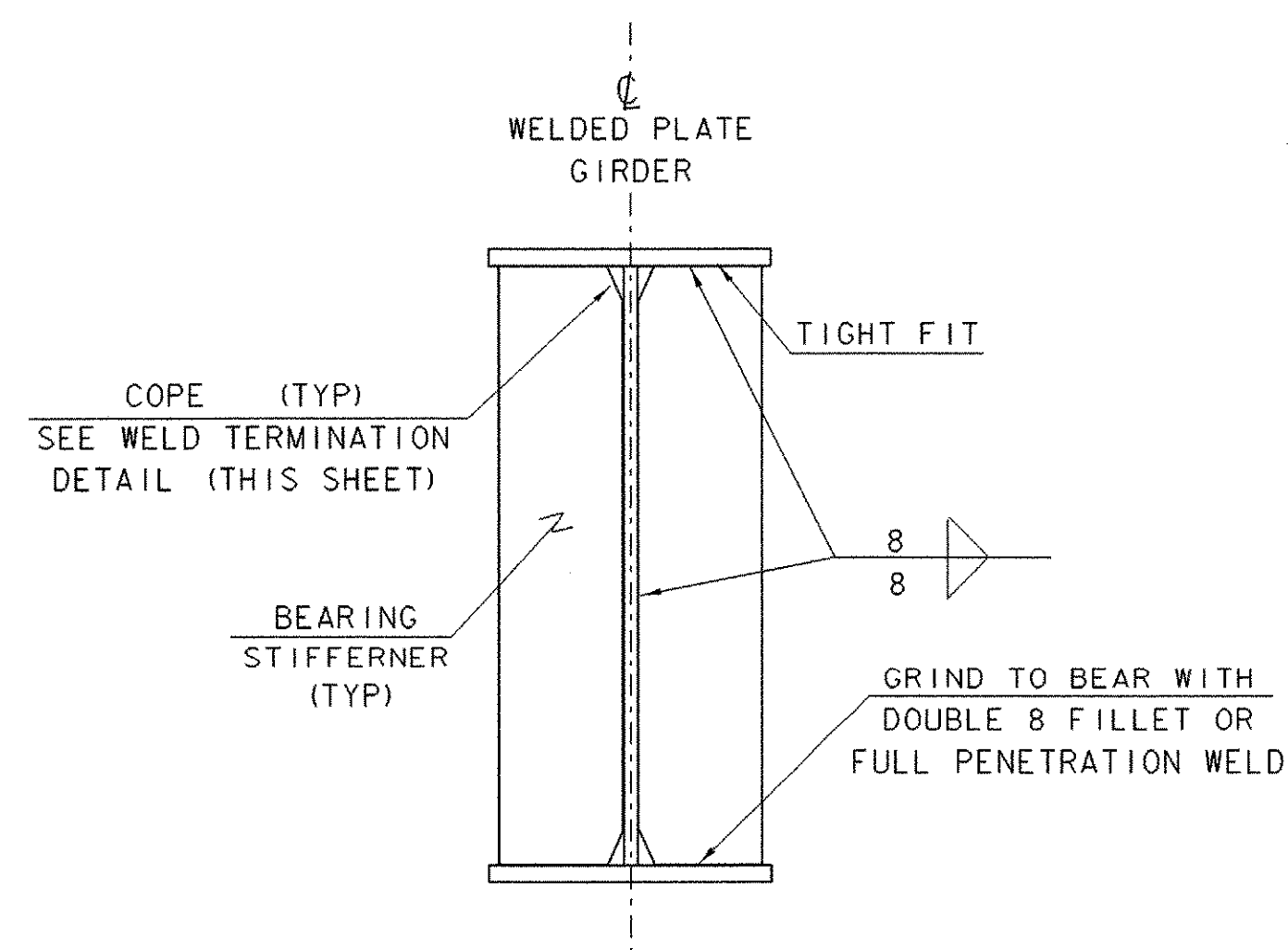
**WELD TERMINATION AND COPING  
DETAILS FOR STEEL MEMBERS**

NTS



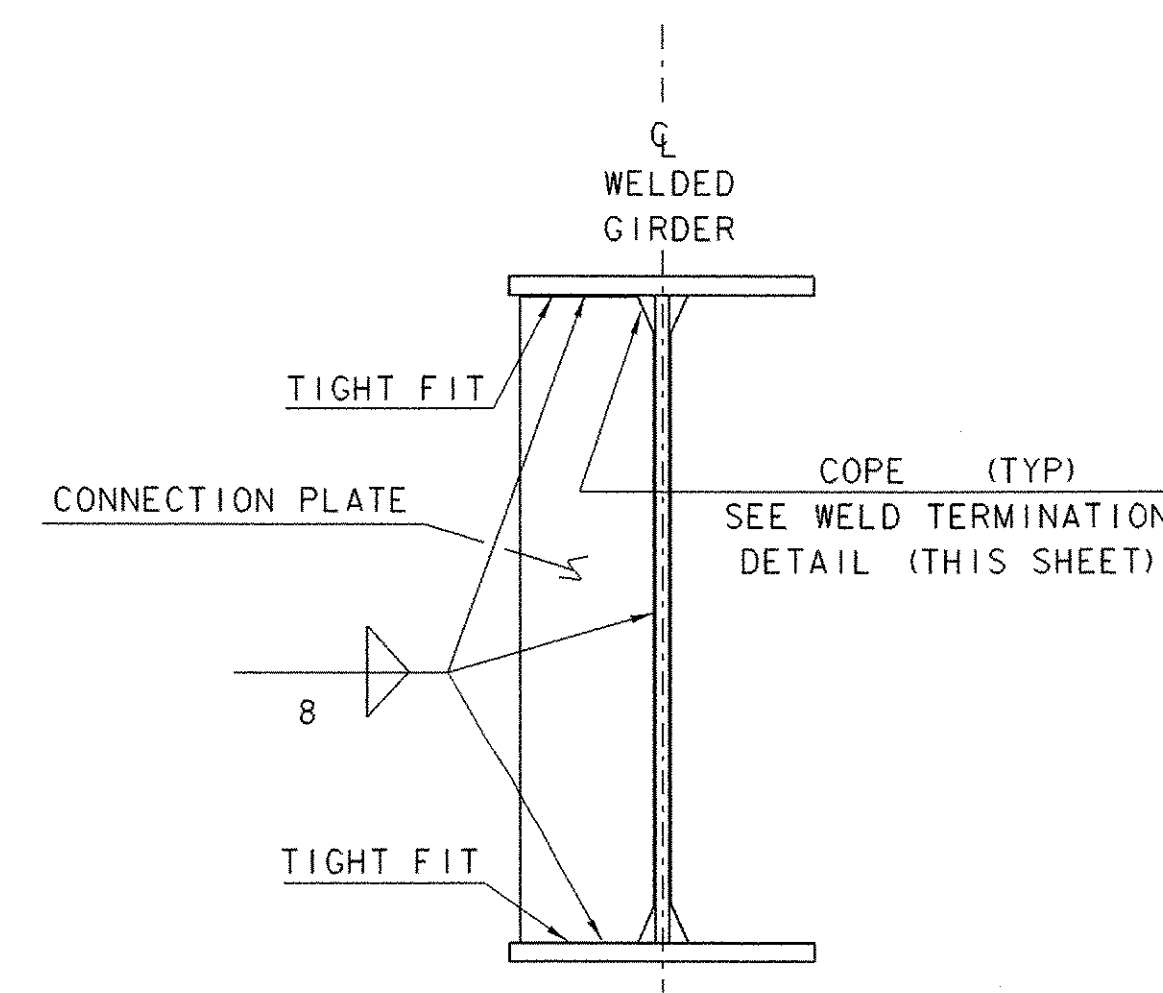
**HAUNCH AND SHEAR  
CONNECTOR DETAILS**

NTS



**ABUTMENT BEARING STIFFENERS  
FOR WELDED PLATE GIRDERS**

NTS



**INTERMEDIATE CONNECTION  
PLATES AND/OR STIFFENERS  
FOR WELDED PLATE GIRDERS**

NTS

PROJECT NAME:	BARTON	PLOT DATE:	03-JAN-2002
PROJECT NUMBER:	STP 0113 (58) S	DRAWN BY:	T. ANDERSON
FILE NAME:	96c116/STRUCTURES/sc116ssd.dgn	CHECKED BY:	W. B. SYMONDS
IPARM NAME:	96c116/STRUCTURES/sc116misc.i	DESIGNED BY:	W. B. SYMONDS
PROJECT LEADER:	C. P. WILLIAMS	STRUCTURAL STEEL DETAILS	SHEET 53 OF 120