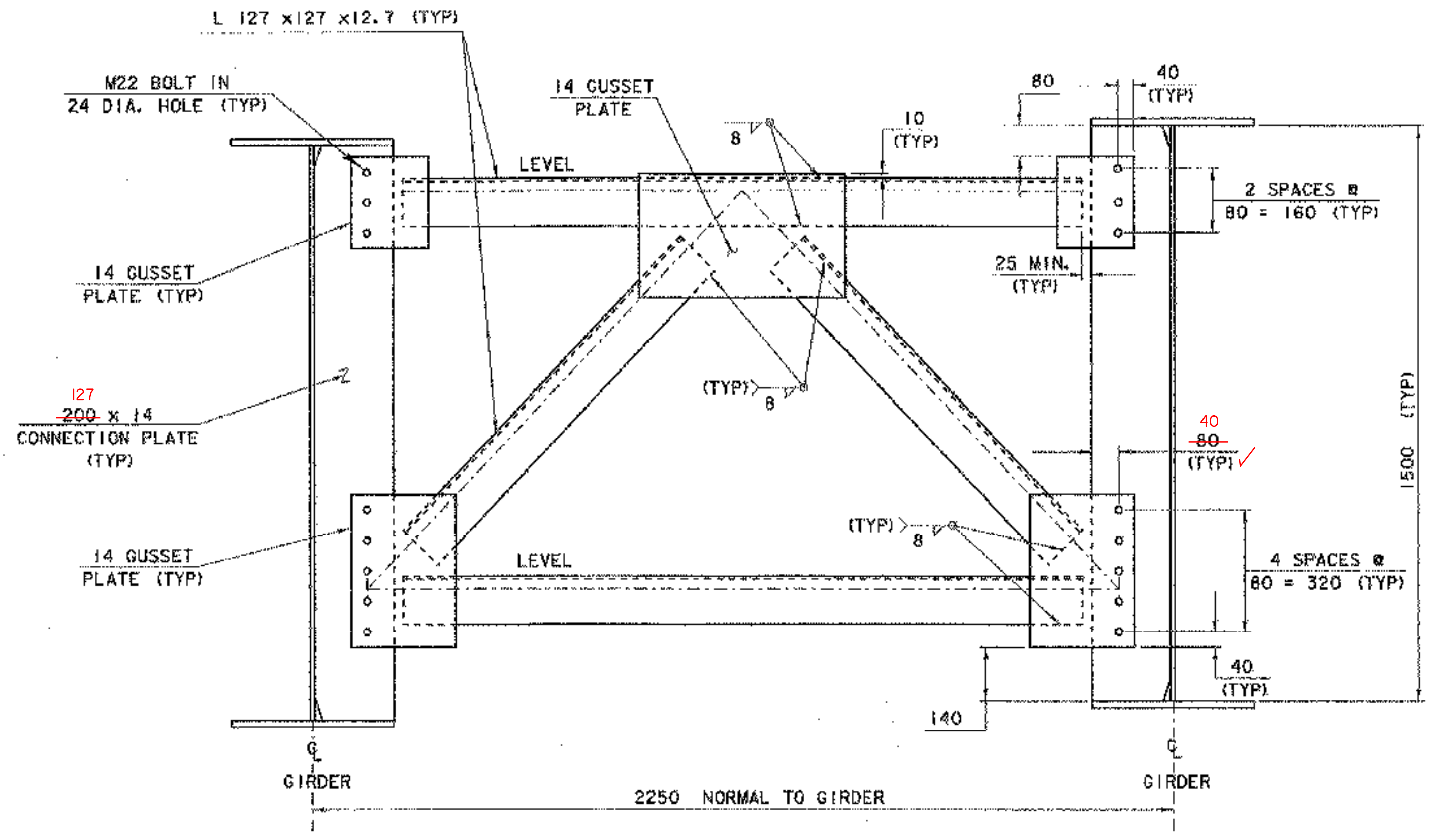


ABUTMENT CROSS FRAME



INTERMEDIATE CROSS FRAME DETAIL

STRUCTURAL STEEL NOTES :

- 1.) ALL STRUCTURAL STEEL INCLUDING BUT NOT LIMITED TO GIRDERS, CROSS FRAMES AND CONNECTION PLATES SHALL CONFORM TO AASHTO M 270 M/M 270 GRADE 345W. ALL STRUCTURAL STEEL SHALL BE PAID UNDER THE ITEM 506.55 "STRUCTURAL STEEL (PLATE GIRDER)".
- 2.) ALL FIELD CONNECTIONS IN UNPAINTED AREAS SHALL BE MADE USING M22 DIAMETER TYPE 3 BOLTS MEETING THE AASHTO M 164M/M 164, TYPE 3 SPECIFICATION. IN PAINTED AREAS ALL FIELD CONNECTIONS SHALL BE MADE USING M22 DIAMETER TYPE 1 BOLTS MEETING AASHTO M 164M/M 164 SPECIFICATION. ANY CONNECTIONS NOT DESIGNATED SHALL BE DETAILED BY THE FABRICATOR AND SUBMITTED TO THE PROJECT MANAGER FOR APPROVAL. ALL TYPE 1 BOLTS SHALL BE GALVANIZED PER AASHTO M232 M/M 232.
- 3.) ANY HOLES IN THE FASCIA BEAMS NOT OTHERWISE FILLED SHALL BE FITTED WITH BOLTS CONFORMING TO AASHTO M 164M/M 164, TYPE 3.
- 4.) ALL MEMBERS AND OR PLATES MARKED (CVN) AND ONLY THOSE MEMBERS MUST MEET THE CHARPY V-NOTCH REQUIREMENTS FOR MAIN MEMBERS AS INDICATED IN SECTION 714 OF THE VERMONT AGENCY OF TRANSPORTATION SPECIFICATIONS FOR CONSTRUCTION.
- 5.) THE EXPANSION END OF THE GIRDERS SHALL BE GIVEN A SHOP APPLIED PAINT SYSTEM AND GREASED AFTER INSTALLATION FOR A DISTANCE EQUAL TO THE DEPTH OF THE GIRDER PER SUPPLEMENTAL SPECIFICATION 513. THE ABUTMENT CROSSFRAMES IN THIS AREA SHALL ALSO BE PAINTED AND GREASED. THE PAINT SHALL BE BROWN COLOR CHIP #20059.
- 6.) THE FABRICATOR MAY ELECT TO DESIGN AND FABRICATE A FIELD SPLICE WITHIN THE SIMPLE SPAN. ANY FIELD SPLICE MUST BE DESIGNED BY A PROFESSIONAL ENGINEER. THE LOCATION OF AND THE DESIGN OF THE FIELD SPLICE SHALL BE SUBMITTED TO THE PROJECT MANAGER FOR APPROVAL. THE WEIGHT OF THE SPLICE PLATES SHALL BE PAID UNDER THE ITEM 506.55 "STRUCTURAL STEEL (PLATE GIRDER)". THE CONTRACTOR SHALL BE DUE NO ADDITIONAL COMPENSATION BEYOND PAYMENT FOR THE SPLICE PLATES FOR PROVIDING THE OPTIONAL FIELD SPLICE.

ARCHIVED
ON CADD

| | |
|--------------------------|---------------------------------|
| PROJECT NAME: | BARTON |
| PROJECT NUMBER: | STP 0113 (58) S |
| FILE NAME: | 960116/STRUCTURES/00118.ssd.dgn |
| IPARM NAME: | 960116/STRUCTURES/00118xfrm.1 |
| PROJECT LEADER: | C. P. WILLIAMS |
| DESIGNED BY: | W. B. SYMONDS |
| STRUCTURAL STEEL DETAILS | |
| PLOT DATE: | 03-JAN-2002 |
| DRAWN BY: | T. ANDERSON |
| CHECKED BY: | W. B. SYMONDS |
| SHEET | 52 OF 120 |