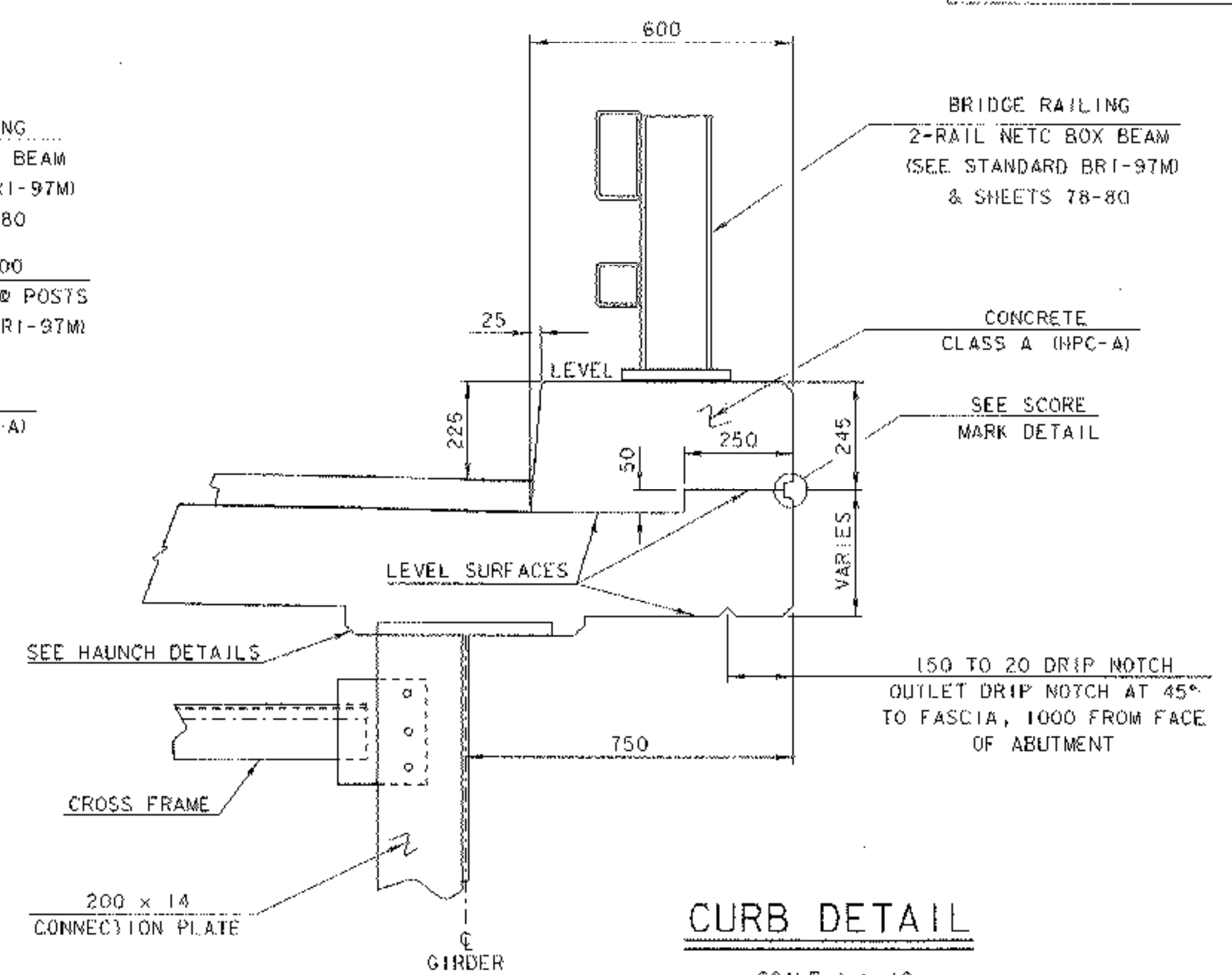


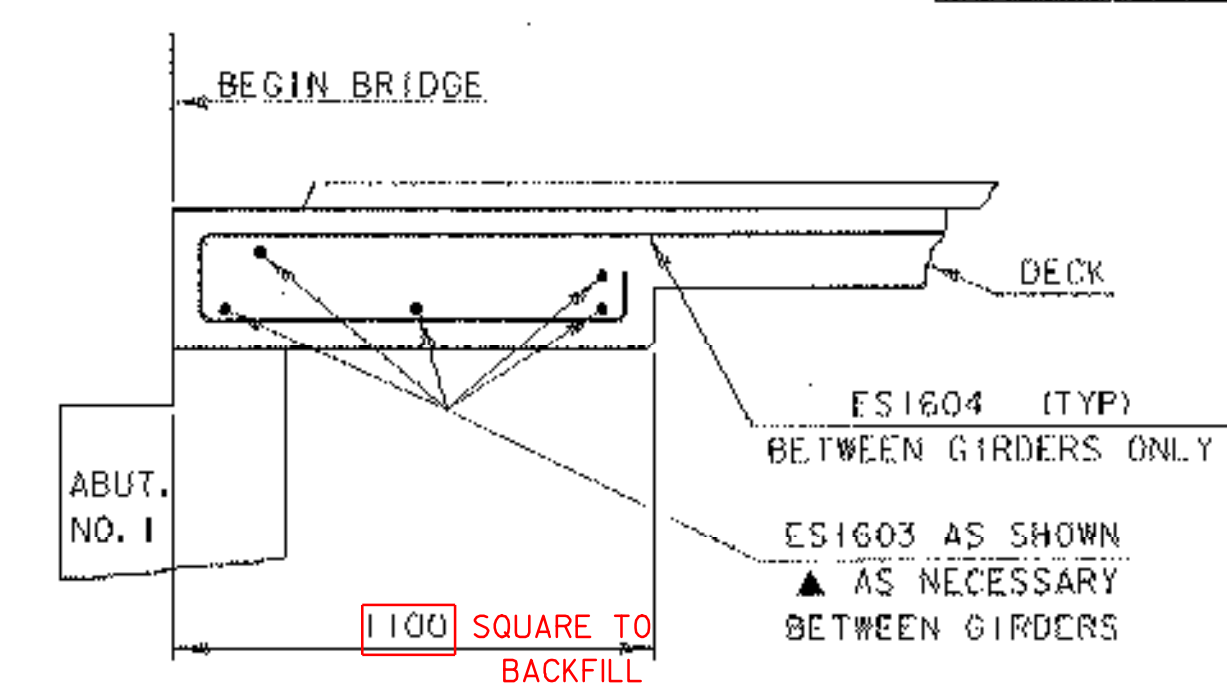
**TYPICAL BRIDGE SECTION**

SCALE 1 : 30



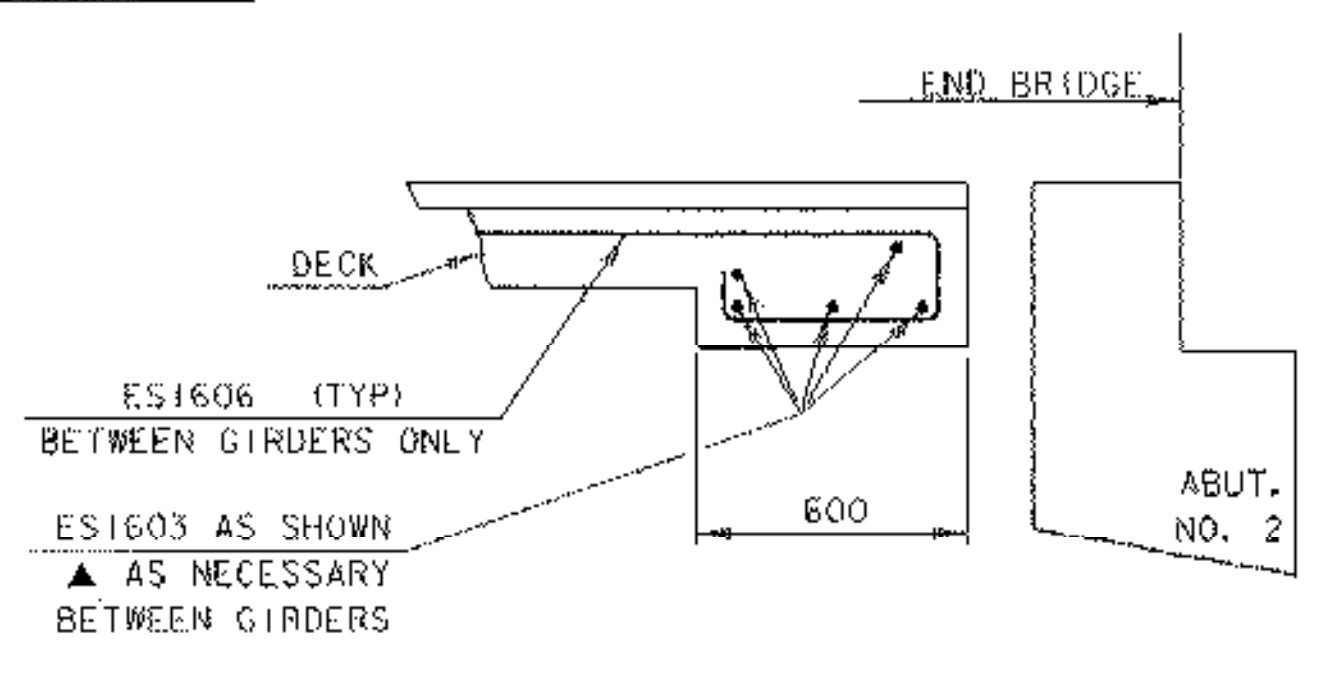
**CURB DETAIL**

SCALE 1 : 10



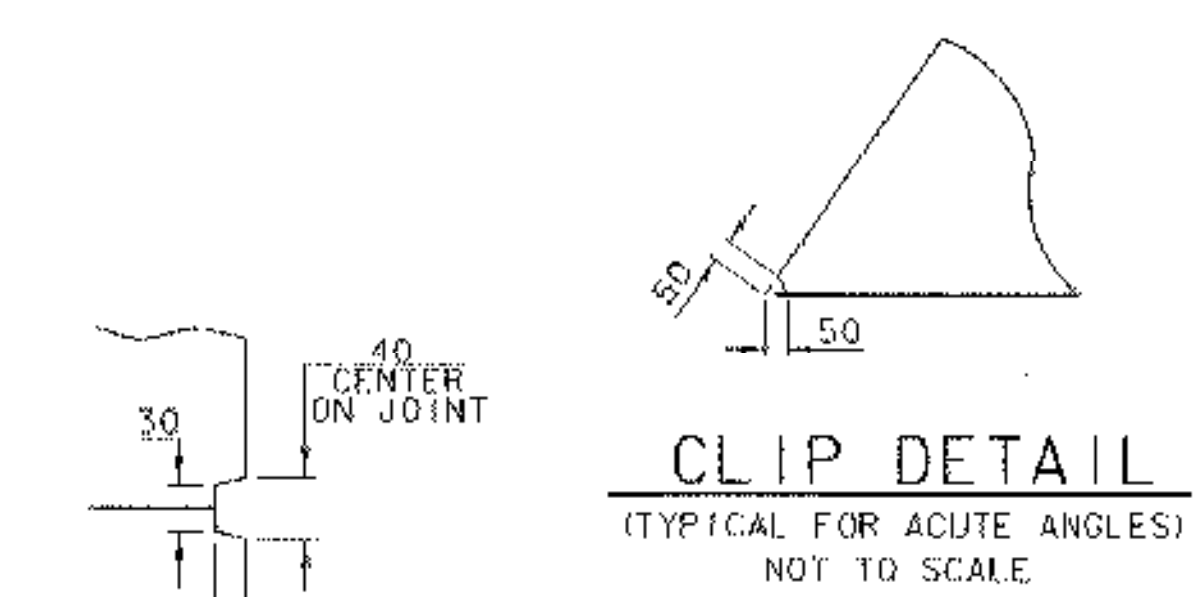
**SECTION A-A**

NOT TO SCALE



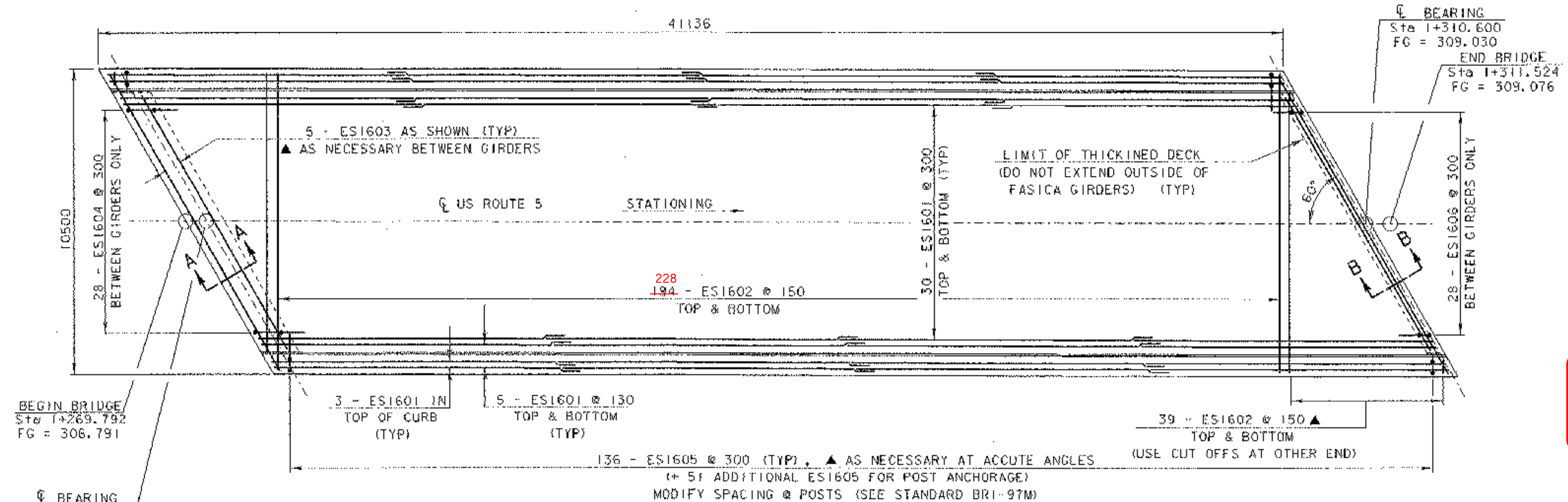
**SECTION B-B**

NOT TO SCALE



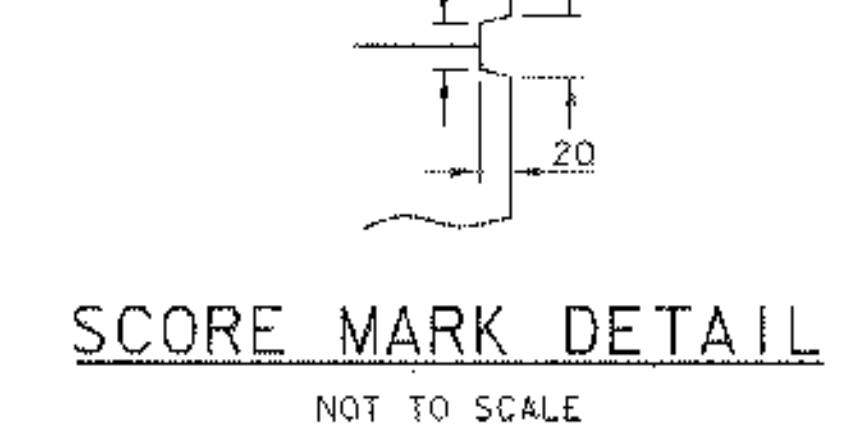
**CLIP DETAIL**

NOT TO SCALE



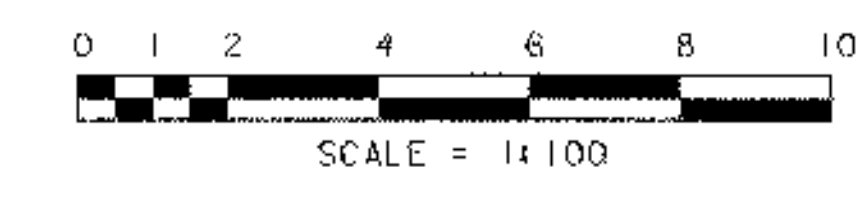
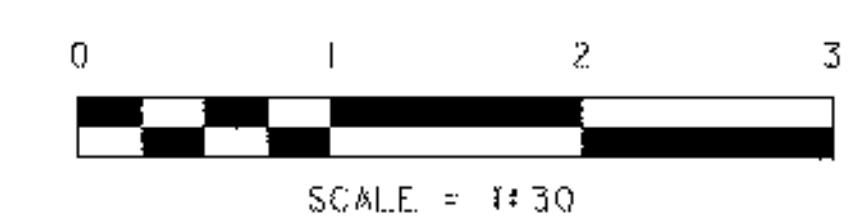
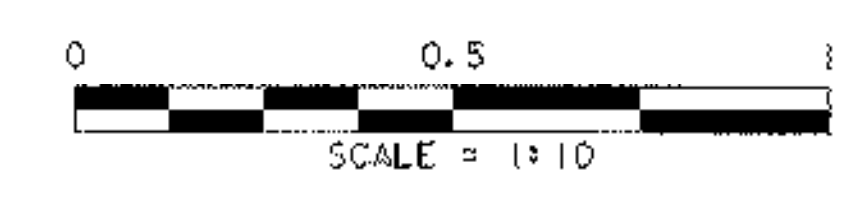
**DECK REINFORCING PLAN**

SCALE 1 : 100



**SCORE MARK DETAIL**

NOT TO SCALE



**ARCHIVED ON CADD**

**NOTES:**

- NF = NEAR FACE
- FF = FAR FACE
- EF = EACH FACE
- ▲ = CUT TO FIT IN FIELD
- ALL REINFORCING STEEL SHALL BE EPOXY COATED.
- 75 CLR. UNLESS OTHERWISE SPECIFIED ON THE PLANS.
- ALL LAPS SHALL BE 660 UNLESS NOTED OTHERWISE.

PROJECT NAME:	BARTON	FILE NAME:	960116/STRUCTURES/001108.rvt.dgn	PLOT DATE:	03-JAN-2002
PROJECT NUMBER:	STP 0113 (58) S	IPARM NAME:	960116/STRUCTURES/act116deck.1	DRAWN BY:	T. G. ANDERSON
		PROJECT LEADER:	C. P. WILLIAMS	CHECKED BY:	W. B. SYMONDS
		DESIGNED BY:	W. B. SYMONDS		SHEET 50 OF 120
		TYPICAL BRIDGE SECTION			