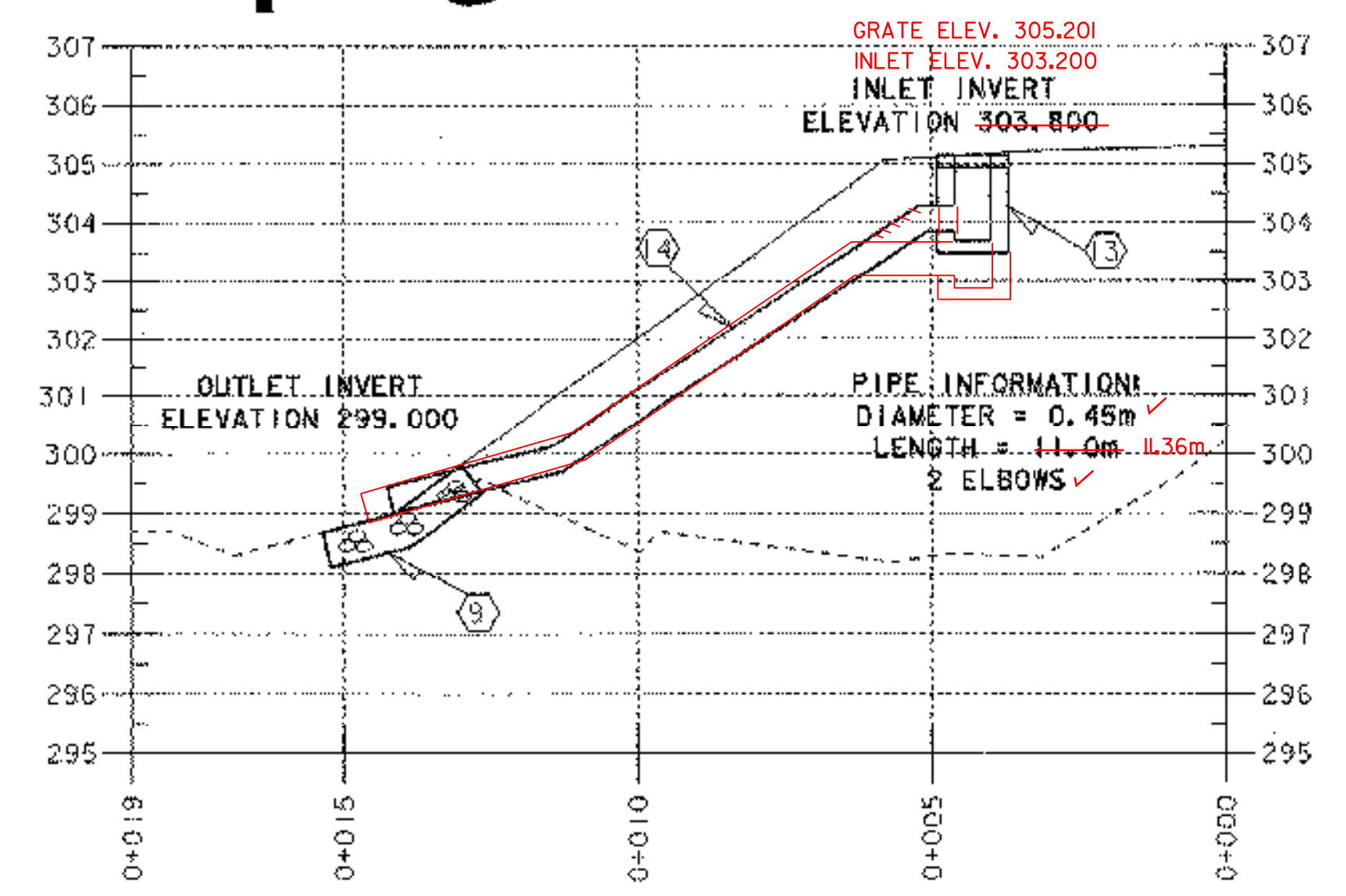
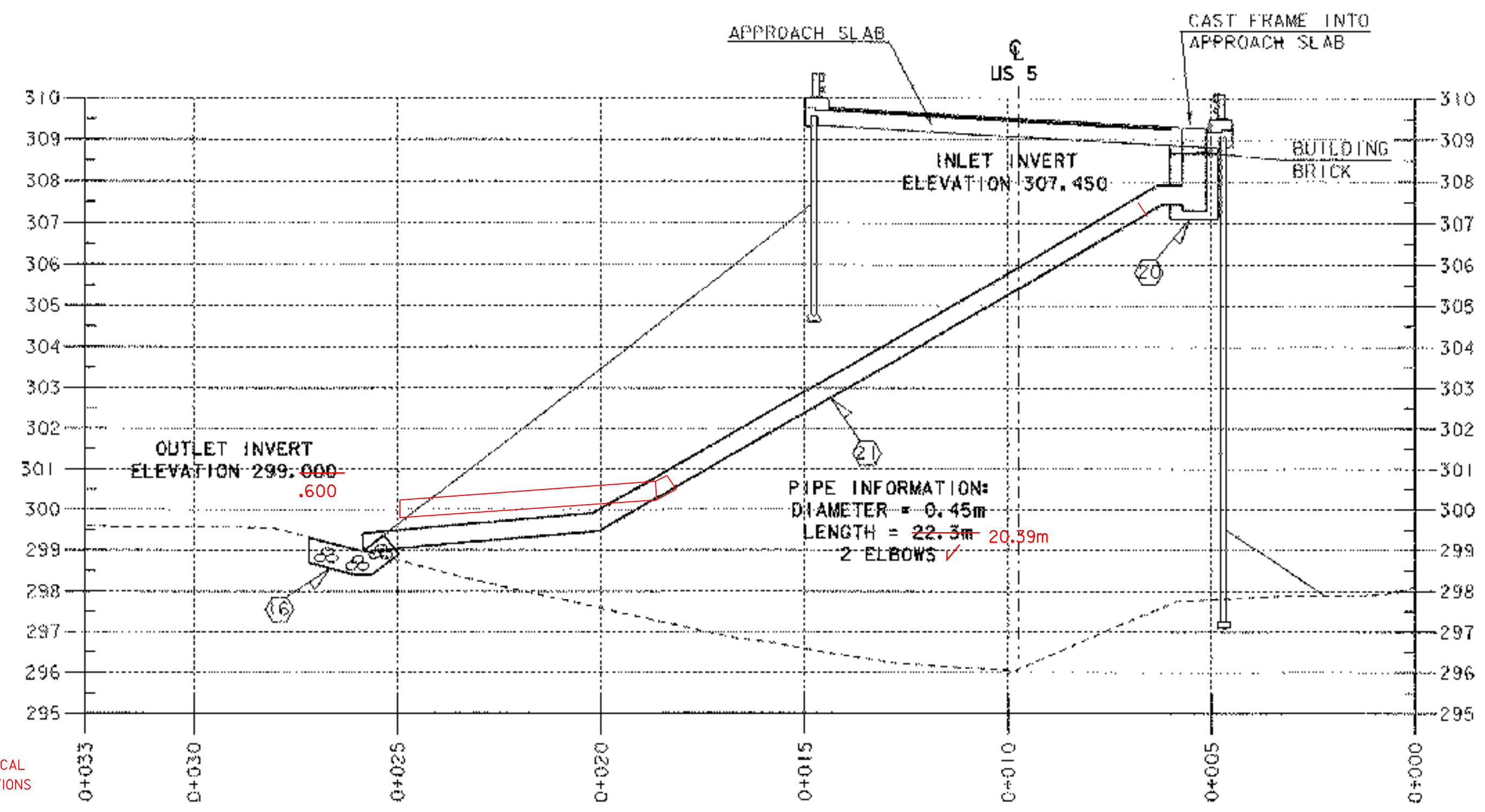


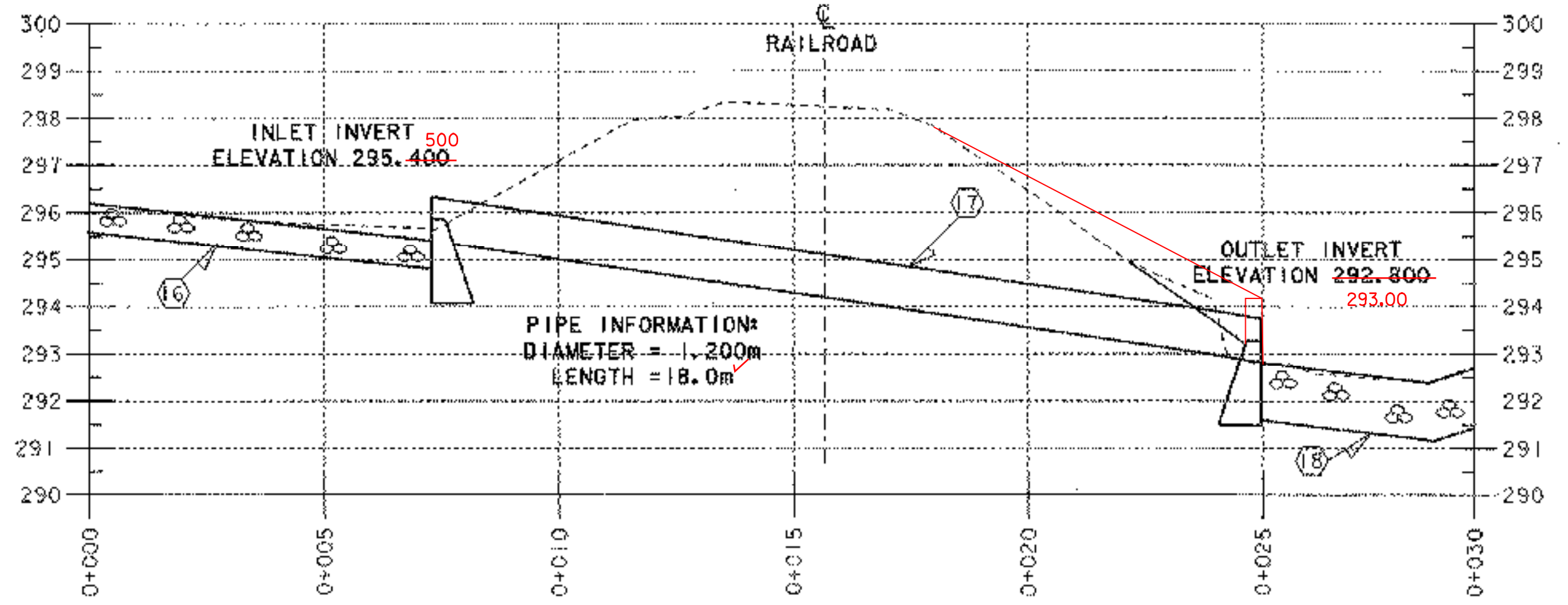
Profile Pipe @ STA 1+246.000 LT



Profile Pipe @ STA 1+316.000



Profile Pipe @ STA 1+295.000

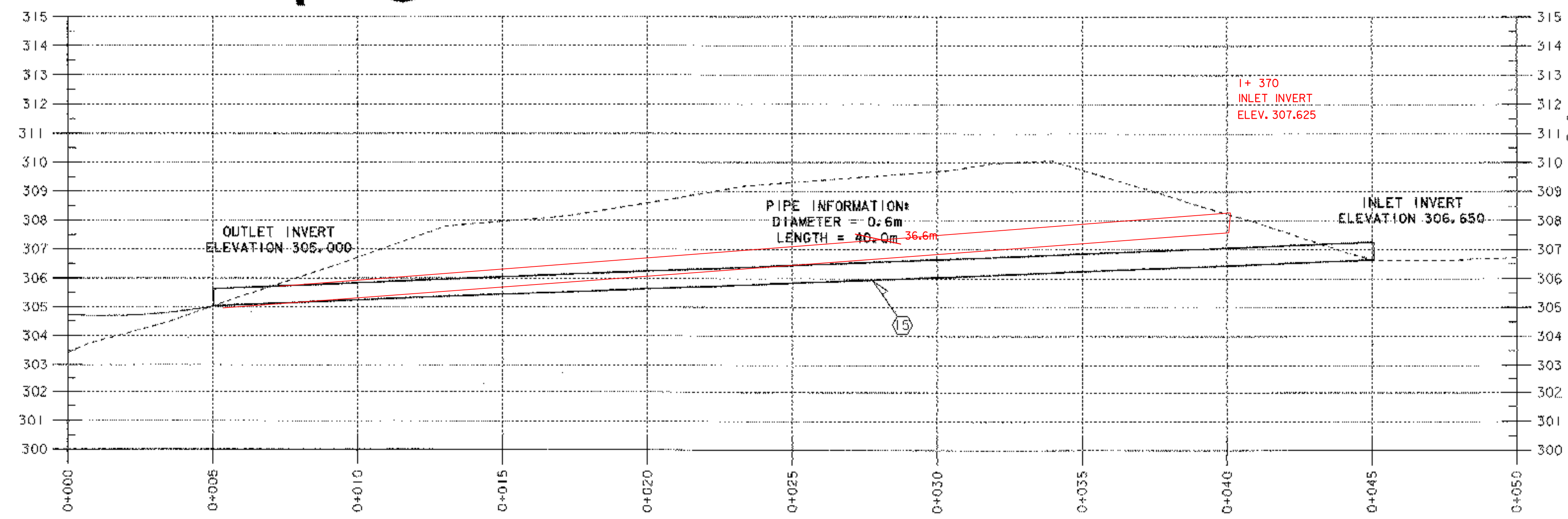


18 SEE REDESIGNED TYPICAL SECTION IN CALCULATIONS FOLDER

204.20	131.76m ³
649.31	147.6m ²
613.13	131.76m ³

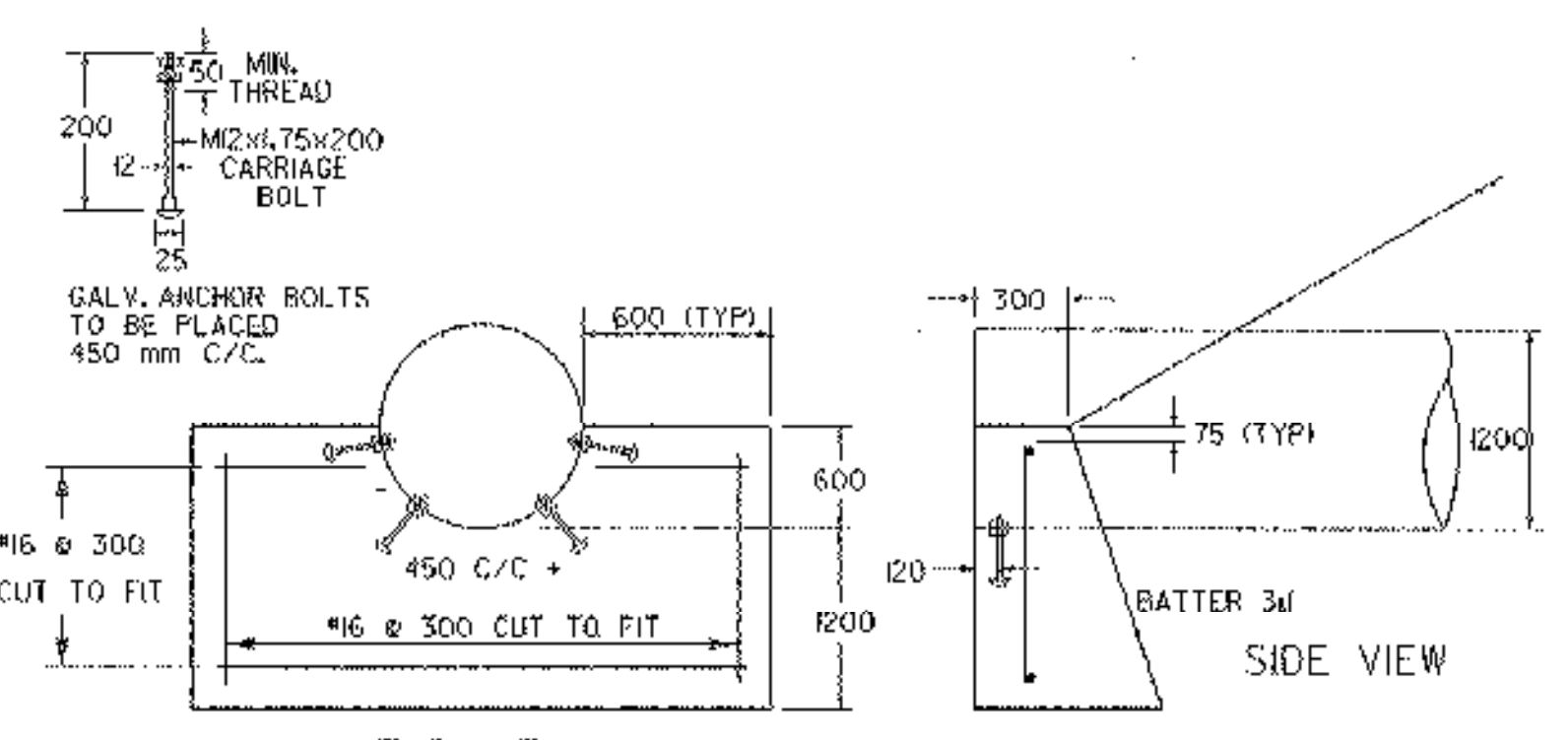
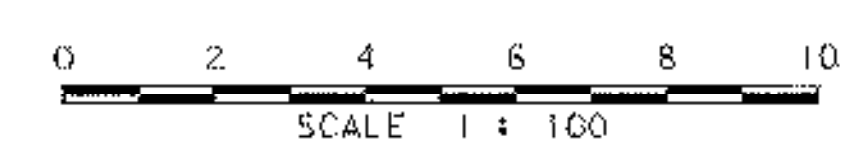
20 - SEE NOTE 16 SHEET 74

Profile Pipe @ STA 1+335.000 LT TO STA 1+375.000 LT



73.4	
74.0	73.6
73.3	
	73.5
73.6	
73.4	73.4
73.3	

204.20 TRENCH EXCAVATION OF EARTH
1+335 - 1+370 LT
AREA = 73.5m² WIDTH = 1.7m
73.5m² x 1.7m = 125.0 cm
204.20 125.0 cm



M2x1.75x200 ANCHOR BOLTS WITH TWO M2x1.75 HEXAGONAL NUTS, 14-M8 # HOLES IN PIPE TO BE DRILLED OR FUNCHED, PRIOR TO COATING OF PIPE OR FIELD DRILLED WHEN REQUIRED, DUE TO A FIELD CHANGE. ANCHOR BOLTS ARE INCLUDED IN THE COST OF THE PIPE.

CONCRETE CLASS B CRADLE HEADWALL
NOT TO SCALE.

**ARCHIVED
ON CADD**

PROJECT:	BARTON	PROJECT NO. :	STP 0113 (58) S
DESIGN FILE NAME:	96c116/structures/sc116drain.dgn	PLT DATE:	03-JAN-2007
IPARM FILE NAME:	sc116dp2.i	DRAWN BY:	R. S. YOUNG
PROJECT LEADER:	C.P. WILLIAMS	SHEET:	44 OF 120
DRAINAGE PROFILE			