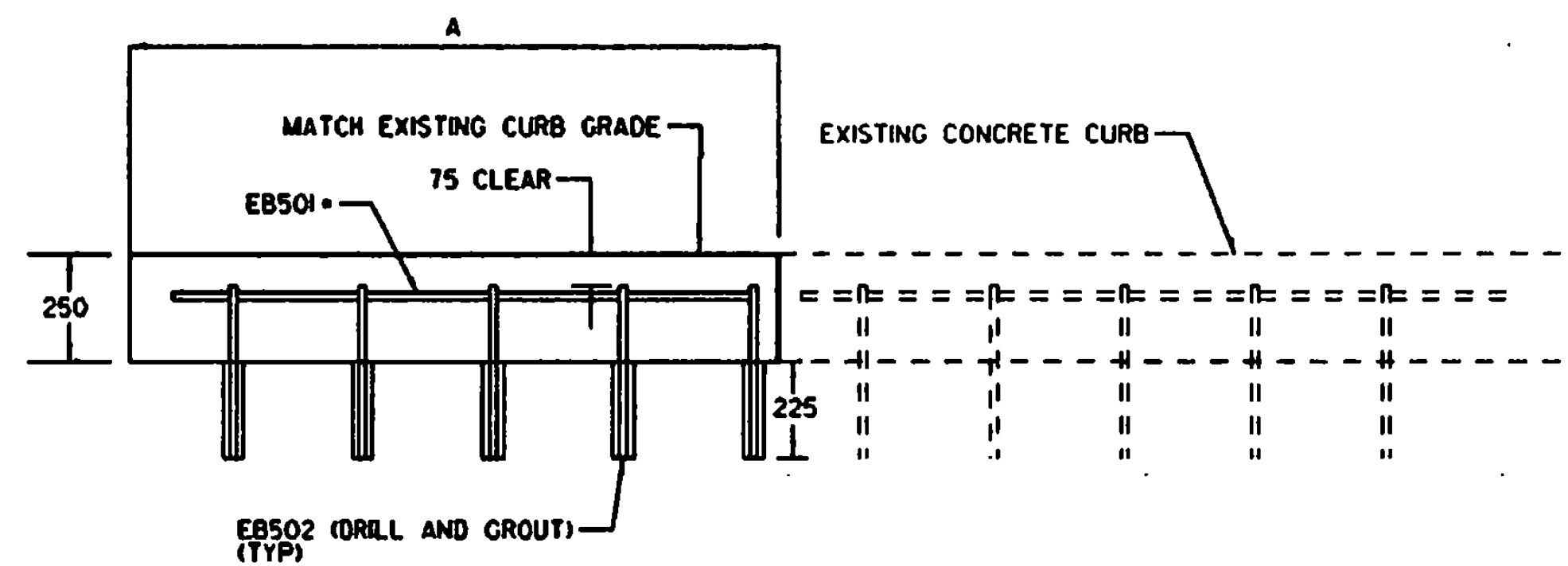


**NEW CURB END TREATMENT
PLAN VIEW**

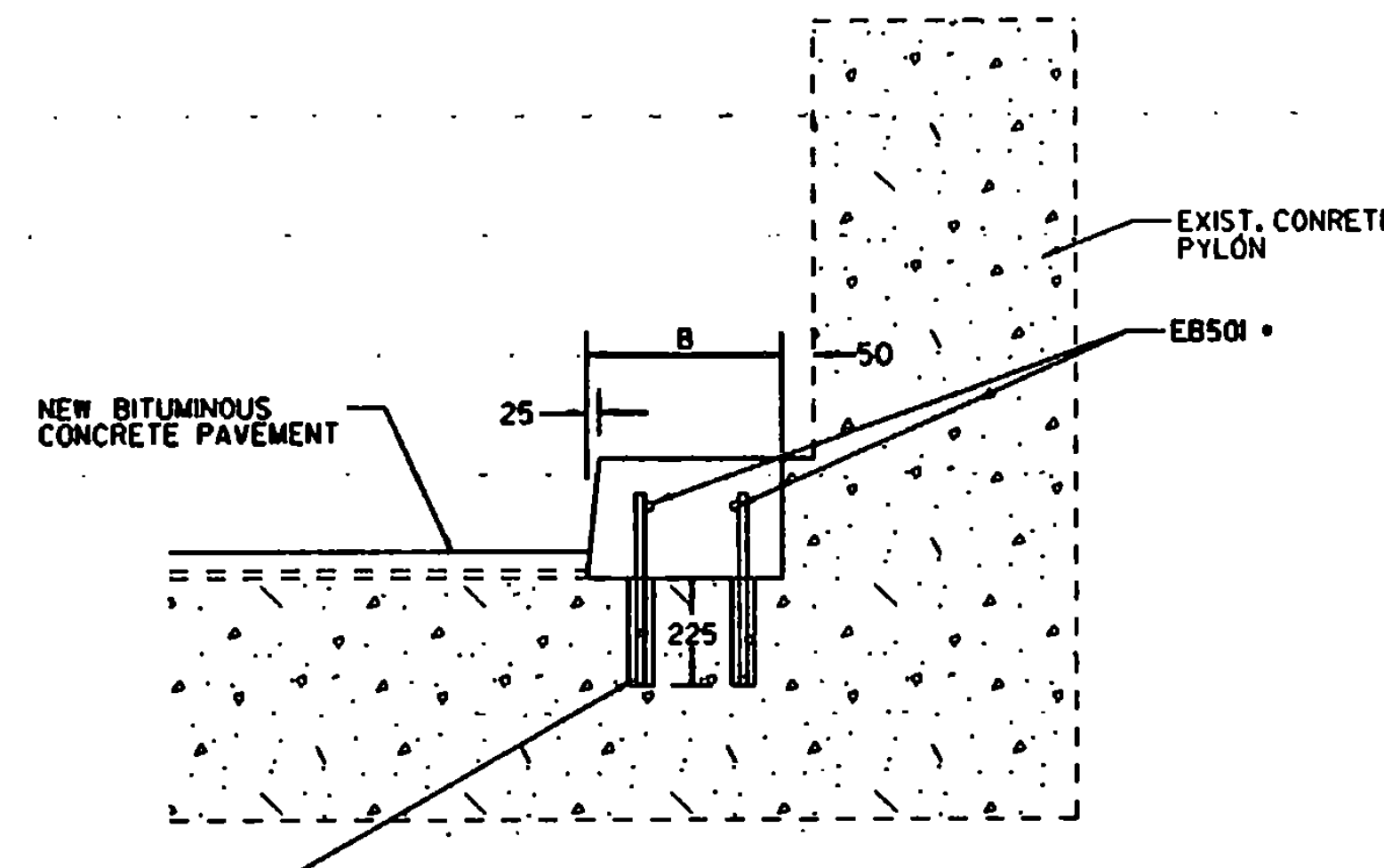
• DENOTES BAR TO BE CUT IN FIELD



**NEW CURB END TREATMENT
ELEVATION VIEW**

NOTES :

1. LOCATION OF EXISTING REINFORCING BARS IS NOT KNOWN. DRILL AND GROUT EB502 AS SHOWN IN END TREATMENT DETAILS. AS DIRECTED BY THE ENGINEER, ANY EXISTING REINFORCING BARS RUSTED OR BROKEN OFF DURING THE REMOVAL OF CONCRETE SHALL BE REMOVED AND REPLACED BY EB502 DOWELS AS REQUIRED TO PROVIDE THE NECESSARY VERTICAL REINFORCEMENT.
2. WHEN POURING THE CONCRETE CURBS, THE CONCRETE WILL BE POURED BACK TO THE ORIGINAL CURB LINE AND GRADE.
3. REMOVAL OF THE CONCRETE CURBING TO THE LIMITS SHOWN SHALL BE PAID FOR AS ONE EACH UNDER ITEM 529.20 "PARTIAL REMOVAL OF STRUCTURE". THE RUBBLE CREATED BY THIS REMOVAL SHALL NOT BE LEFT AT THE BRIDGE SITE, BUT SHALL BE DISPOSED OF PROPERLY, AS DIRECTED BY THE ENGINEER.
4. POLYURETHANE JOINT SEALER AND CORK EXPANSION MATERIAL SHALL BE USED BETWEEN THE NEW CONCRETE CURB AND THE EXISTING BRIDGE CURB. IF NO ITEM APPEARS FOR THE JOINT SEALER OR THE EXPANSION MATERIAL, PAYMENT FOR BOTH SHALL BE CONSIDERED SUBSIDIARY TO ITEM 504.22, "CONCRETE - CLASS A".



SECTION B - B

EB502 - 300 C-C WHERE NECESSARY DRILL AND GROUT AS SHOWN SEE NOTE #1

| WING-WALL NO. | STAMFORD BRIDGE #2 | | | | STAMFORD BRIDGE #6 | | | | STAMFORD BRIDGE #8 | | | |
|---------------|-------------------------|-----|-------------|-------------|--------------------|-----|-------------|-------------|--------------------|-----|-------------|-------------|
| | DIMENSION | | EB501 | EB502 | DIMENSION | | EB501 | EB502 | DIMENSION | | EB501 | EB502 |
| | A | B | EACH LENGTH | EACH LENGTH | A | B | EACH LENGTH | EACH LENGTH | A | B | EACH LENGTH | EACH LENGTH |
| 1 | 2800 | 750 | 2 | 20 | 3500 | 450 | 2 | 24 | 3000 | 450 | 2 | 20 |
| 2 | CONSTRUCT SIDEWALK RAMP | | 2 | 400 | 2350 | 450 | 2 | 18 | 3000 | 450 | 2 | 20 |
| 3 | 3100 | 750 | 2 | 18 | 2600 | 450 | 2 | 18 | 3000 | 450 | 2 | 20 |
| 4 | CONSTRUCT SIDEWALK RAMP | | 2 | 400 | 4000 | 450 | 2 | 28 | 3000 | 450 | 2 | 20 |

| WING-WALL NO. | STAMFORD BRIDGE #9 | | | | STAMFORD BRIDGE #10 | | | | READSBORO BRIDGE #14 | | | |
|---------------|--------------------|-----|-------------|-------------|---------------------|-----|-------------|-------------|----------------------|-----|-------------|-------------|
| | DIMENSION | | EB501 | EB502 | DIMENSION | | EB501 | EB502 | DIMENSION | | EB501 | EB502 |
| | A | B | EACH LENGTH | EACH LENGTH | A | B | EACH LENGTH | EACH LENGTH | A | B | EACH LENGTH | EACH LENGTH |
| 1 | 3400 | 400 | 2 | 24 | 3100 | 350 | 2 | 18 | 1850 | 400 | 2 | 12 |
| 2 | 2600 | 400 | 2 | 18 | 2000 | 350 | 2 | 12 | 2500 | 400 | 2 | 18 |
| 3 | 3150 | 400 | 2 | 22 | 2700 | 350 | 2 | 18 | 2400 | 400 | 2 | 18 |
| 4 | 2600 | 400 | 2 | 18 | 2900 | 350 | 2 | 20 | 3150 | 400 | 2 | 22 |

CURB END TREATMENTS

NOT TO SCALE

NOTE: ALL DIMENSIONS IN MILLIMETERS EXCEPT AS INDICATED

| | |
|------------|-------|
| DATUM | _____ |
| VERTICAL | _____ |
| HORIZONTAL | _____ |

| | | |
|---------------------------------------|--|-----------------------------|
| BRIDGE DETAIL SHEET #5 | PROJECT: STAMFORD-READSBORO | PROJECT NO.: STP. 9711(1)S. |
| | DESIGN FILE NAME: <i>lpc020/36-c020/lpc020.dwg</i> | PLOT DATE: 18-MAR-1997 |
| | PARM FILE NAME: <i>lpc020-d15-1</i> | SURVEY DATE: 2/96 |
| | SURVEYED BY: CLQ | DRAWN BY: SMC |
| | SQUAD LEADER: JAW | SHEET: 27 OF 28 |