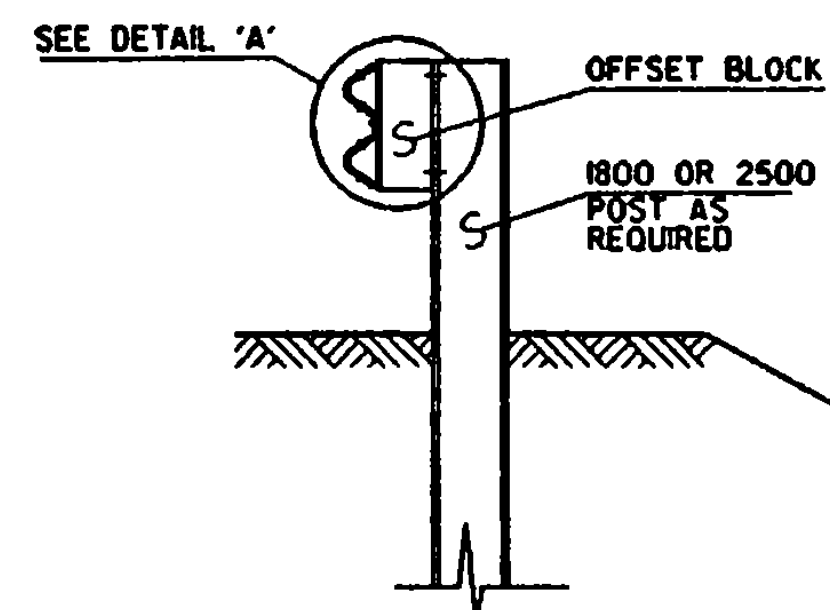


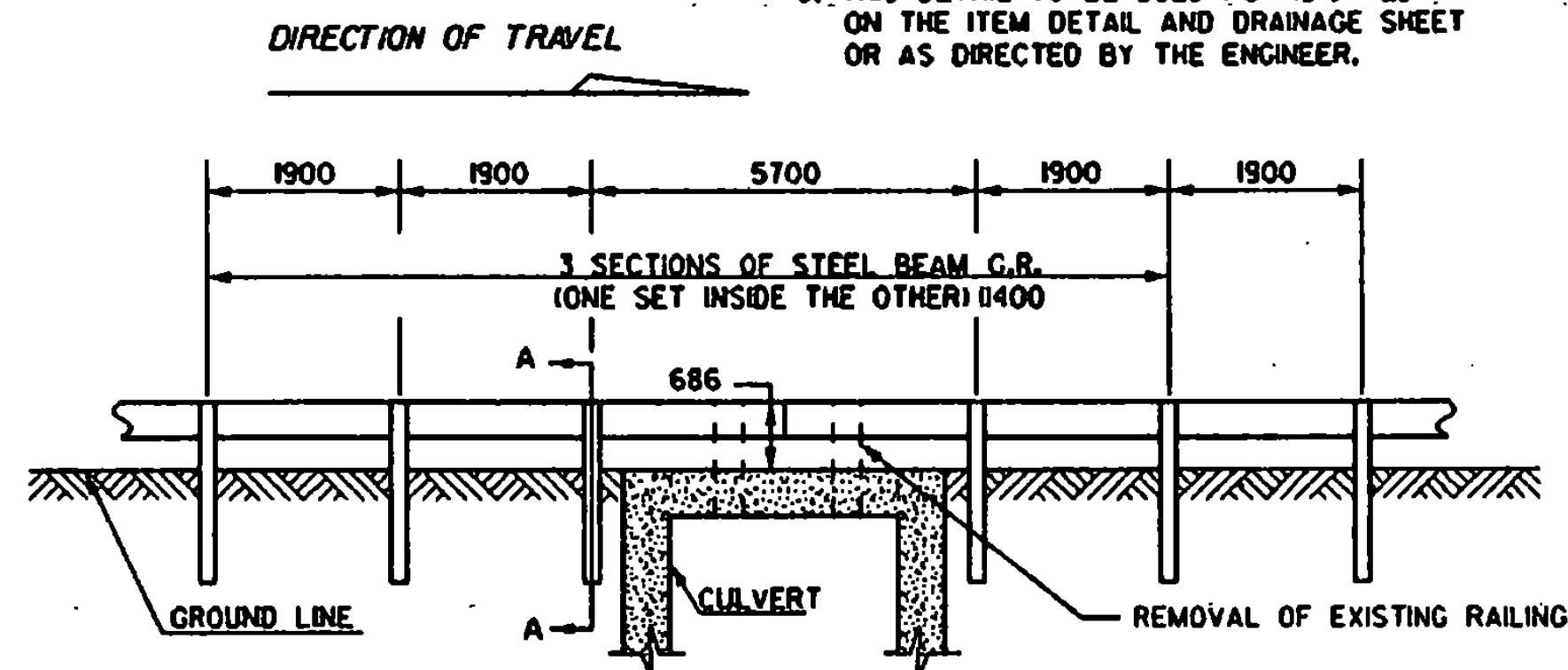
DETAIL A



SECTION A-A

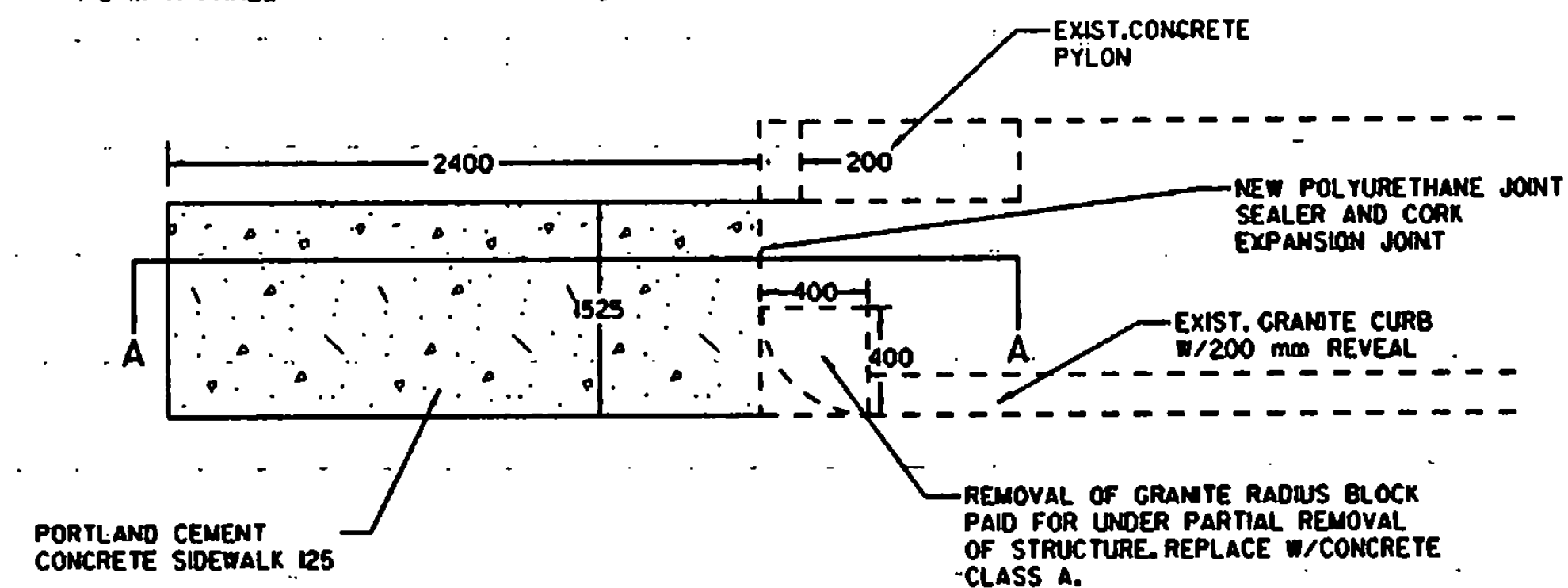
NOTES

1. SEE STANDARD G-1 & G-10 FOR STEEL BEAM GUARD RAIL DETAILS.
2. THIS WORK SHALL BE PAID UNDER ITEM 62L20, STEEL BEAM GUARD RAIL, OR 62L21 HEAVY DUTY STEEL BEAM GUARD RAIL AT A PAY FACTOR OF 1.0.
3. THIS DETAIL TO BE USED AS INDICATED ON THE ITEM DETAIL AND DRAINAGE SHEET OR AS DIRECTED BY THE ENGINEER.

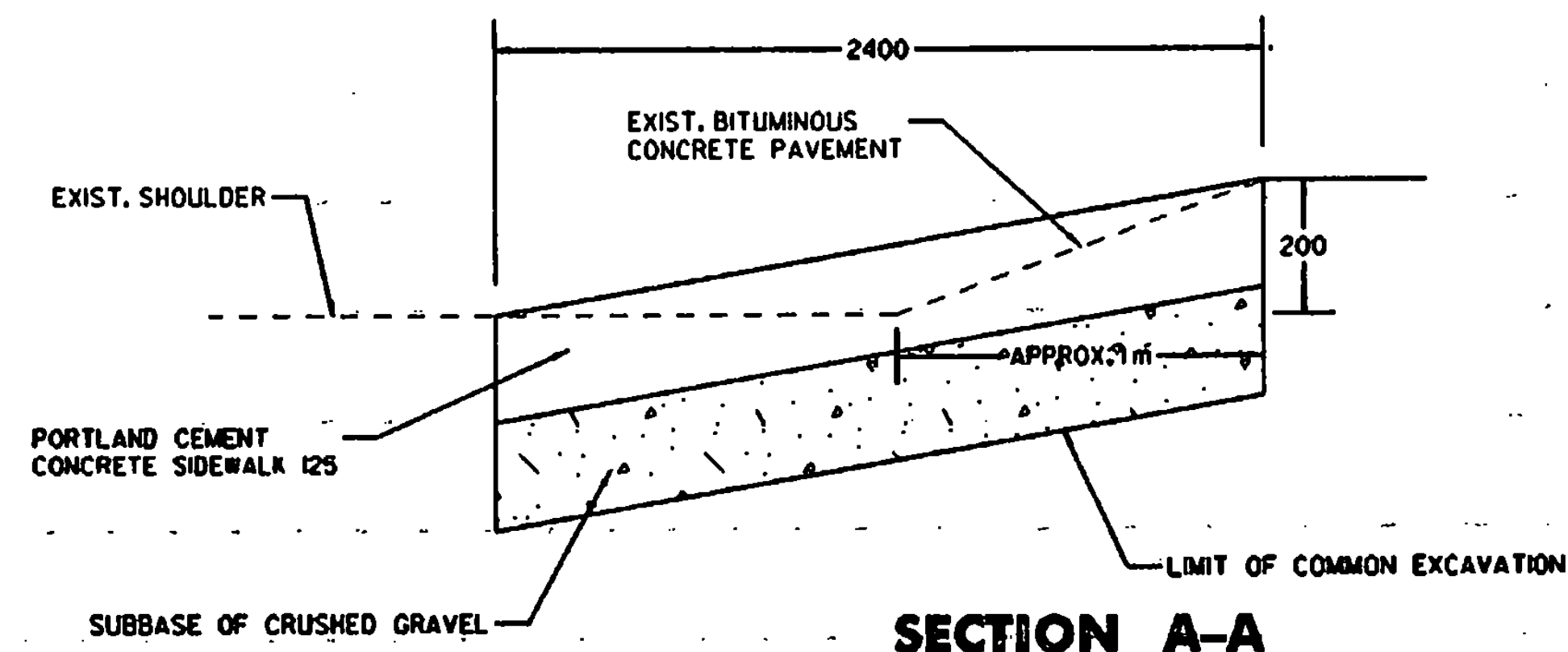


**DETAIL OF STEEL BEAM GUARD RAIL AT CONCRETE BOX CULVERT
BRIDGE #3 @ STA 2+327.76 (MM 1.446), STAMFORD**

NOT TO SCALE



SIDEWALK RAMP PLAN VIEW



SECTION A-A

NOTE: ALL DIMENSIONS IN MILLIMETERS EXCEPT AS INDICATED

DATUM	_____
VERTICAL	_____
HORIZONTAL	_____

**BRIDGE
DETAIL
SHEET #2**

PROJECT:	STAMFORD: READS BORO	PROJECT NO. 1	STP 97111(L)S
DESIGN FILE NAME:	.../D:\98/36c020/36c020.dgn	PLOT DATE:	18-MAR-1997
IPARM FILE NAME:	.../36c020-112.L	SURVEY DATE:	2/96
SURVEYED BY:	N/A	DRAWN BY:	SMC
SQUAD LEADER:	JAW	SHEET:	24 OF 28