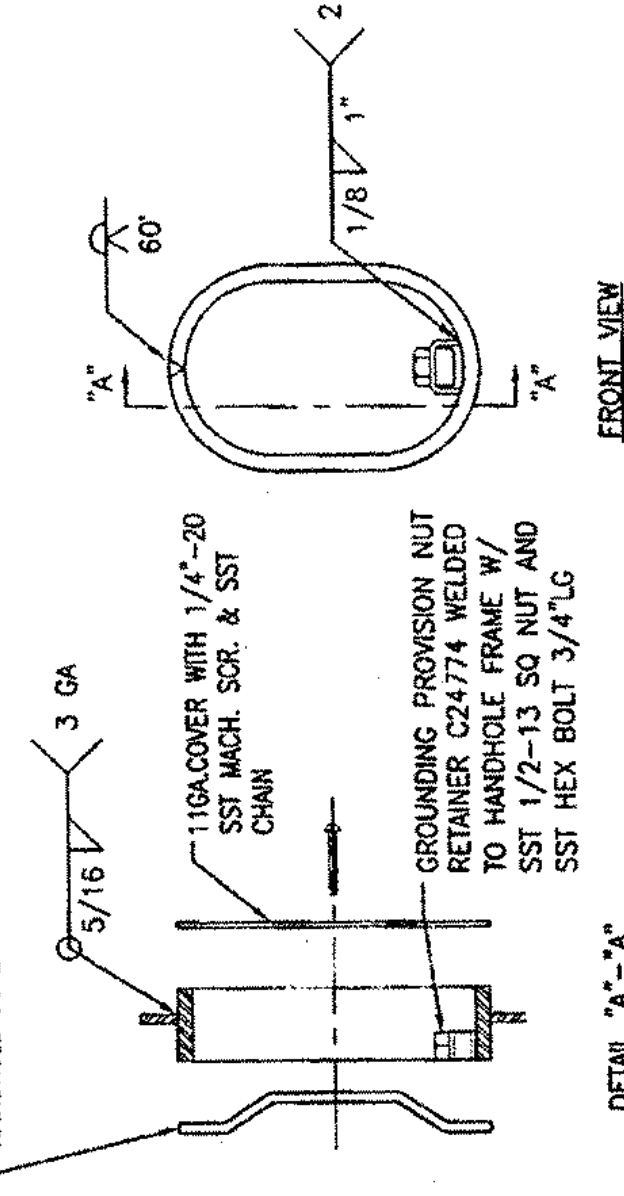
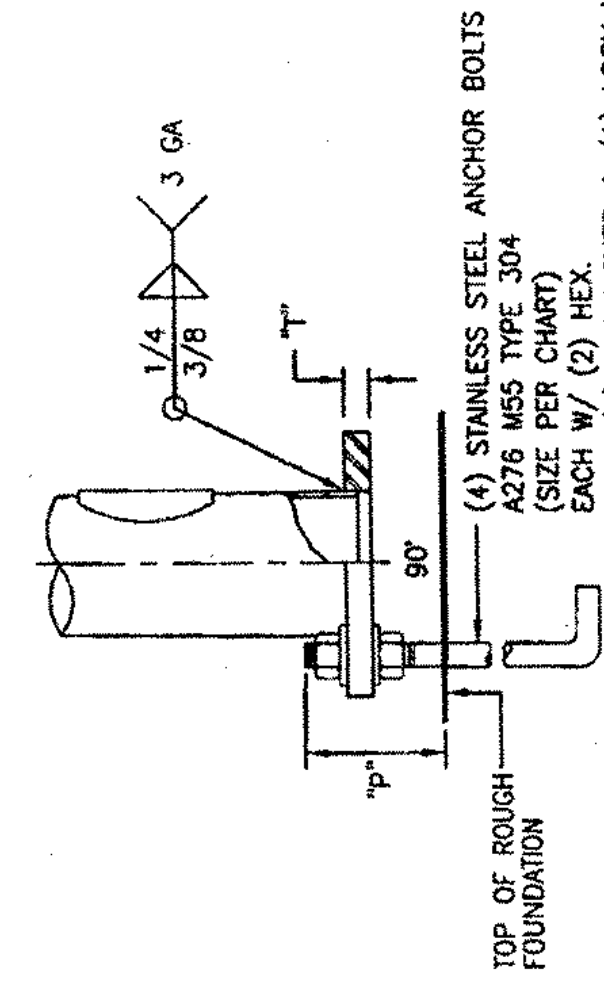


1/4" THK. BACK-UP BAR TO SECURE HANDLE COVER



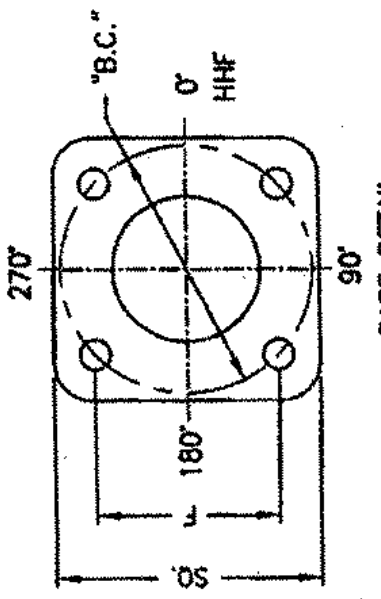
DETAIL "A"-A"

4" x 6" 1/2" HANDLE FRAME DETAIL



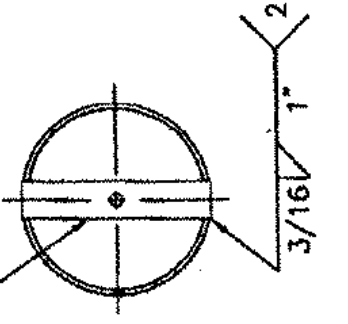
TOP OF ROUGH FOUNDATION
(4) STAINLESS STEEL ANCHOR BOLTS A276 M55 TYPE 304 (SIZE PER CHART) EACH W/ (2) HEX NUTS, (1) FLATWASHER & (1) LOCK WASHER (BY OTHERS)

BASE CONNECTION DETAIL

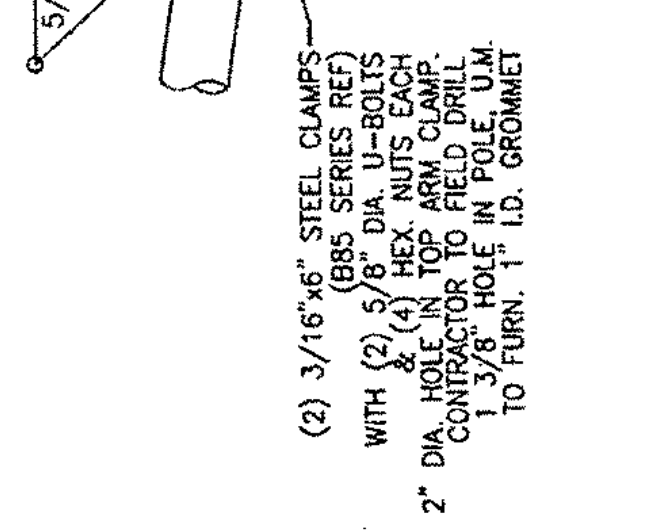


BASE DETAIL
SIZE PER CHART ON SHEET 1

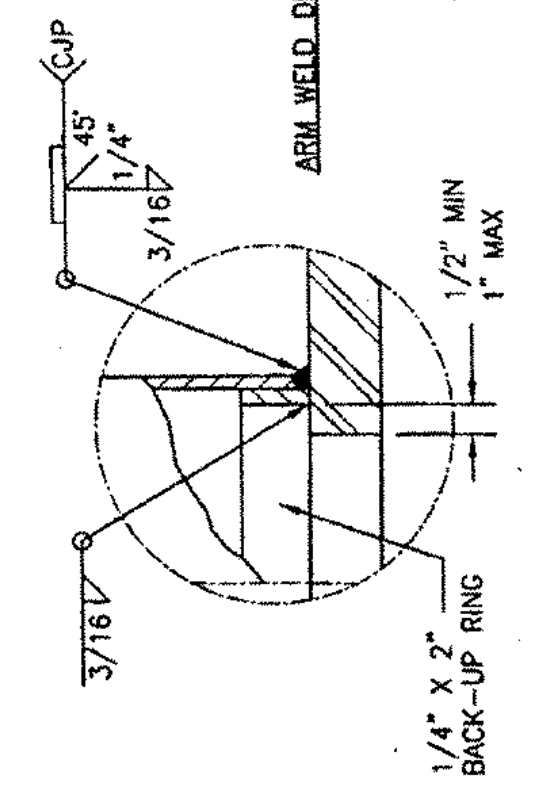
1/4" x 1 BAR W/ THREADED HOLE FOR ARM CAP BOLT



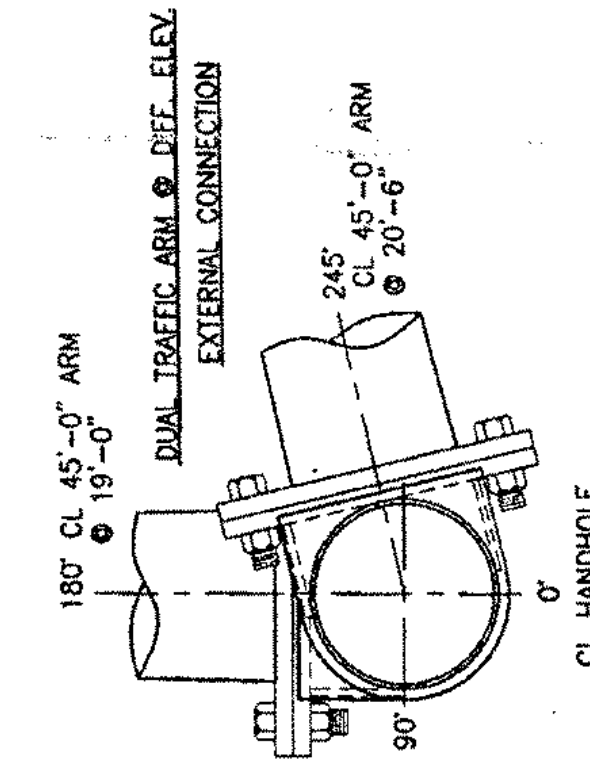
ARM END CAP MOUNTING DETAIL



LUMINAIRE ARM CONNECTION DETAIL

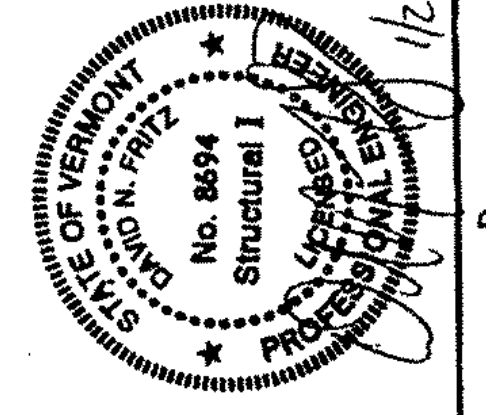


ARM WELD DETAIL

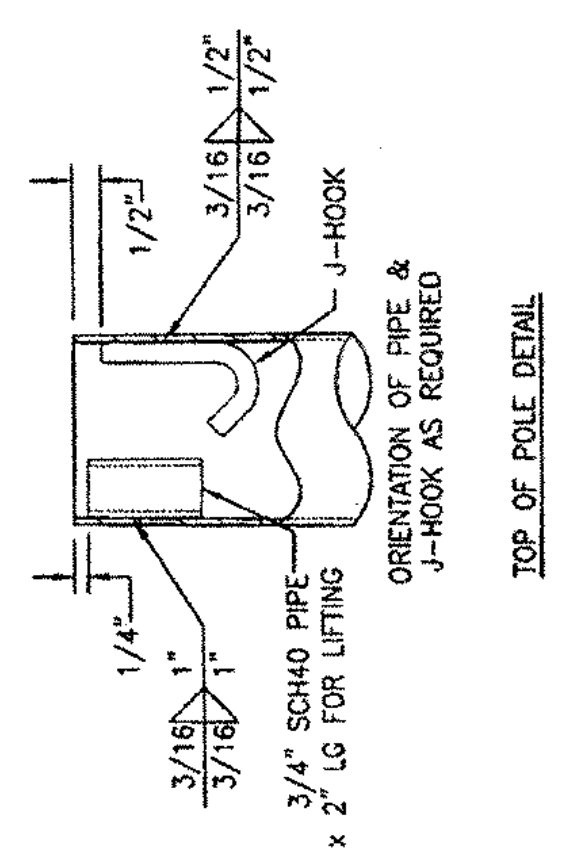


180° CL 45°-0" ARM @ 19"-0" DIA. CL 45°-0" ARM @ 20"-6" CL

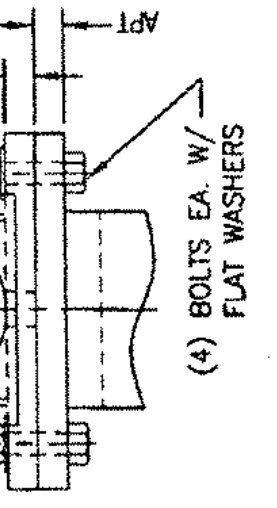
CL HANDHOLE



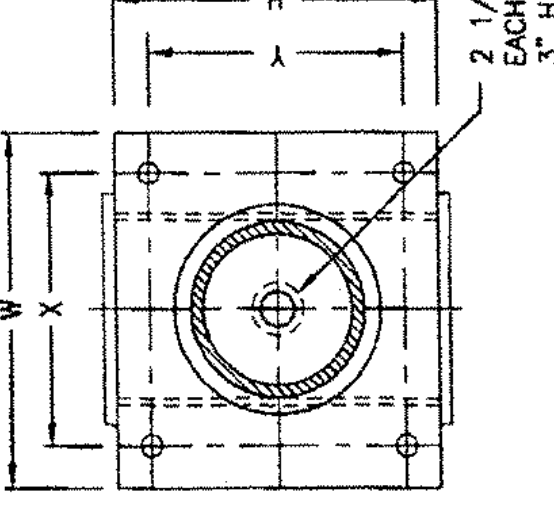
1/29/07



TOP OF POLE DETAIL

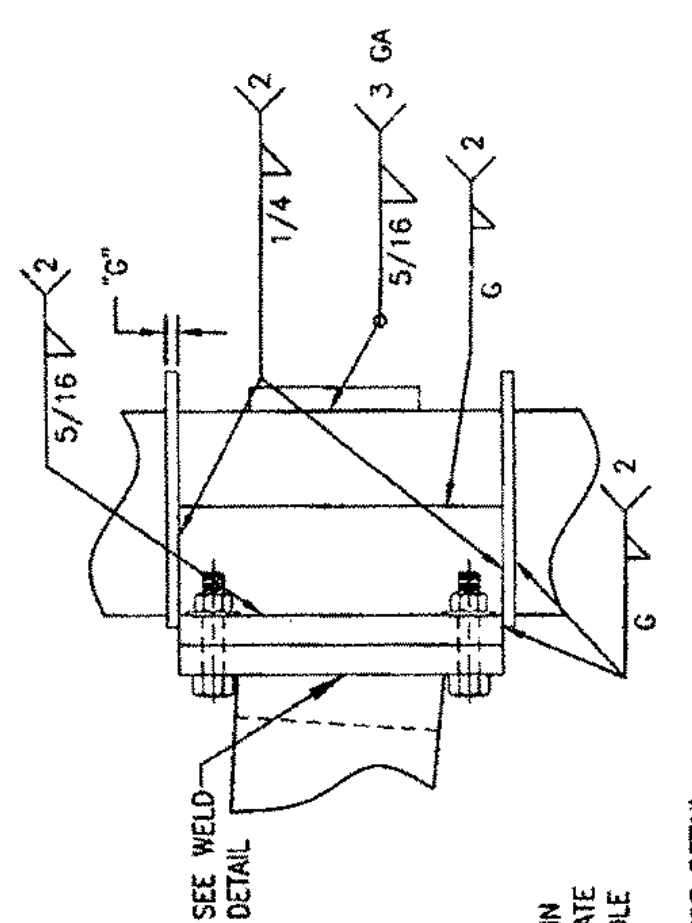


(4) BOLTS EA. W/ FLAT WASHERS



2 1/2" HOLE IN EACH POLE PLATE
3" HOLE IN POLE

FLANGE DETAIL



SEE WELD DETAIL

STATE: VERMONT	REV / SW / 1725-1	DESCRIPTION	DATE	INT BY/CHK BY
PROJECT NAME: ESSEX, VT		REVISIONS		
STEEL TRAFFIC CONTROL STRUCTURES ESSEX, VERMONT (ROUTE 15 & 128)				
 Union Metal Corporation	DESIGNED BY	DATE	SCALE	ENG REF
	AJO	1/26/07	NTS	50914-B002
			REVISION	SHEET
50914-B444			RO	2 OF 2

This document and the contents herein are proprietary and the property of Union Metal Corporation. This document is not to be reproduced, stored in a retrieval system, or transmitted in any form or by any means, electronic, mechanical, photocopying, recording, or by any information storage and retrieval system, without the express written consent of Union Metal Corporation. Furthermore, Union Metal Corporation reserves the right to recall this document and all copies at any time for any reason.

036