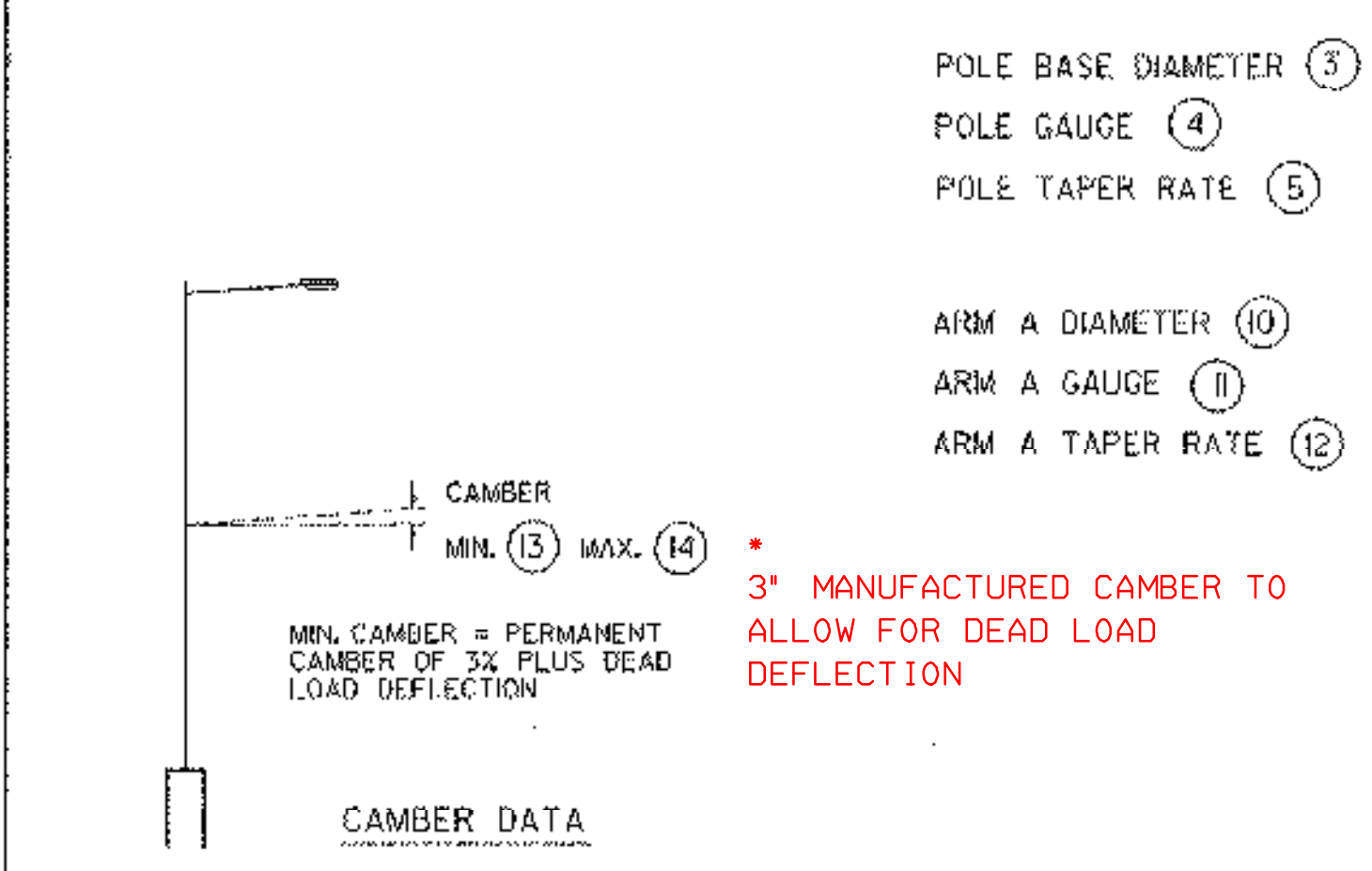


FOUNDATION DIMENSIONS - SPREAD FOOTING

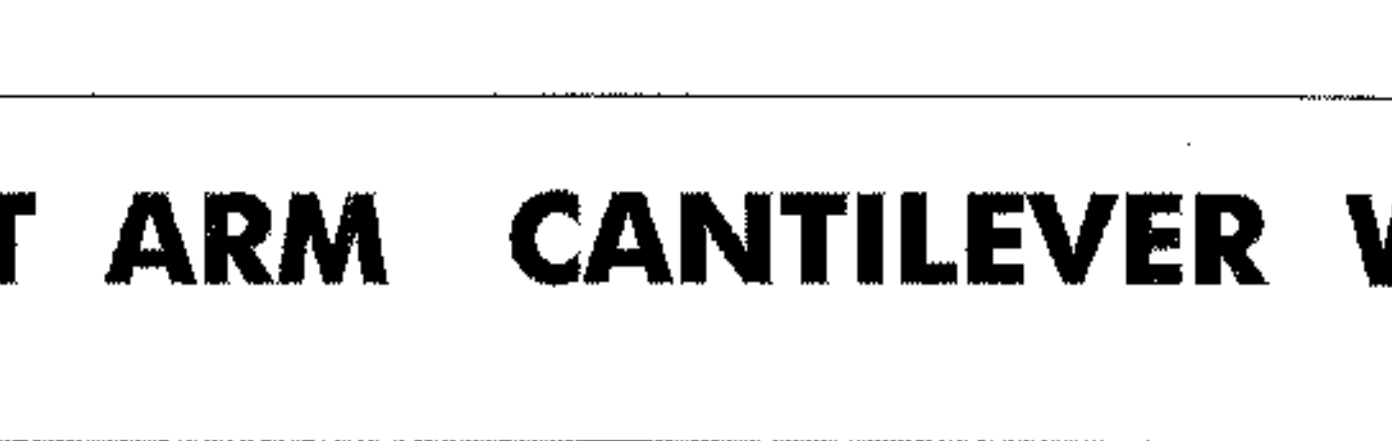
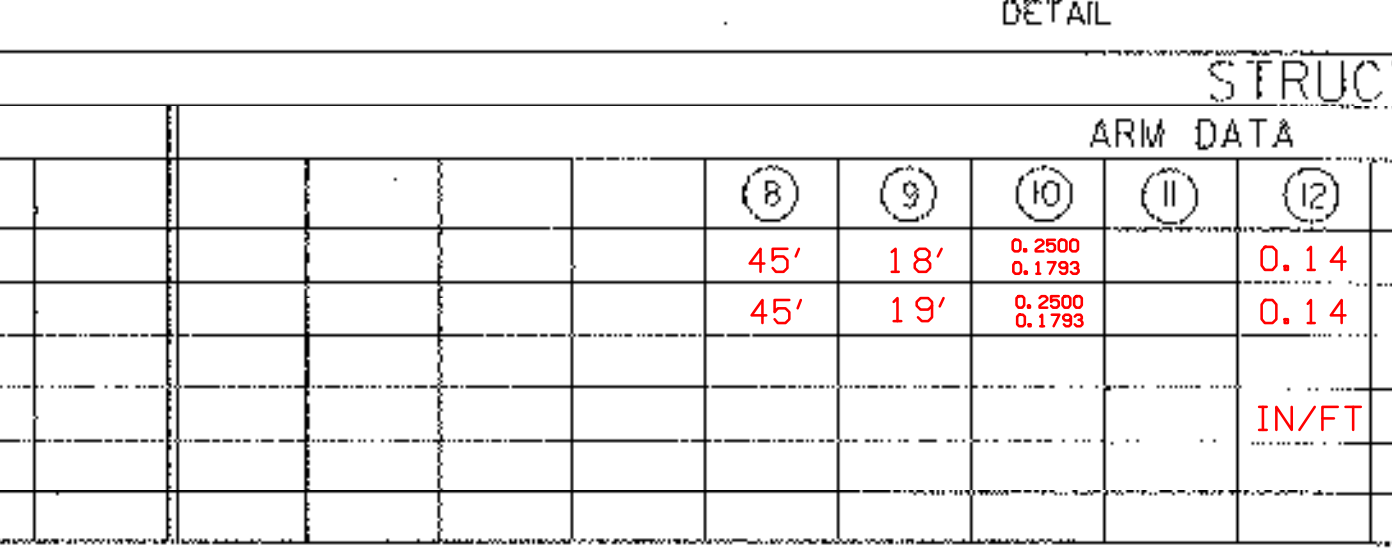
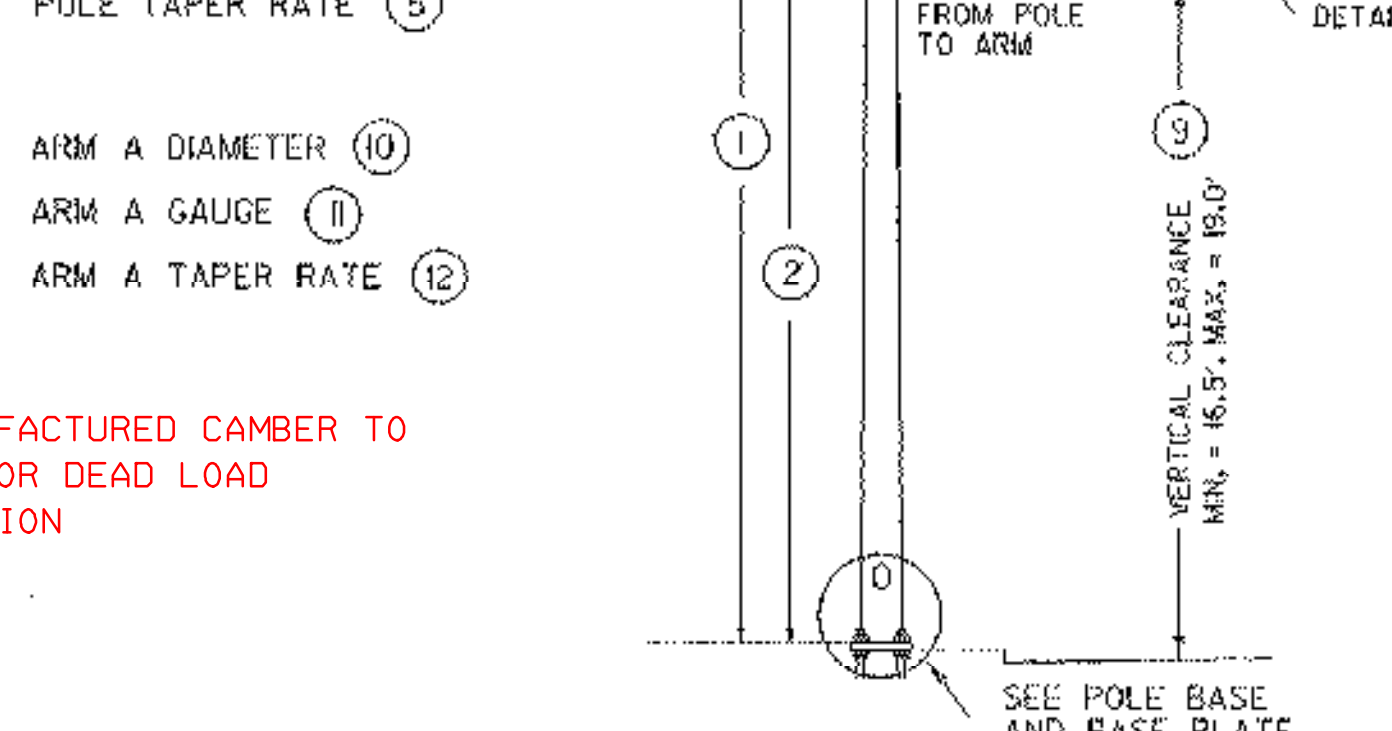
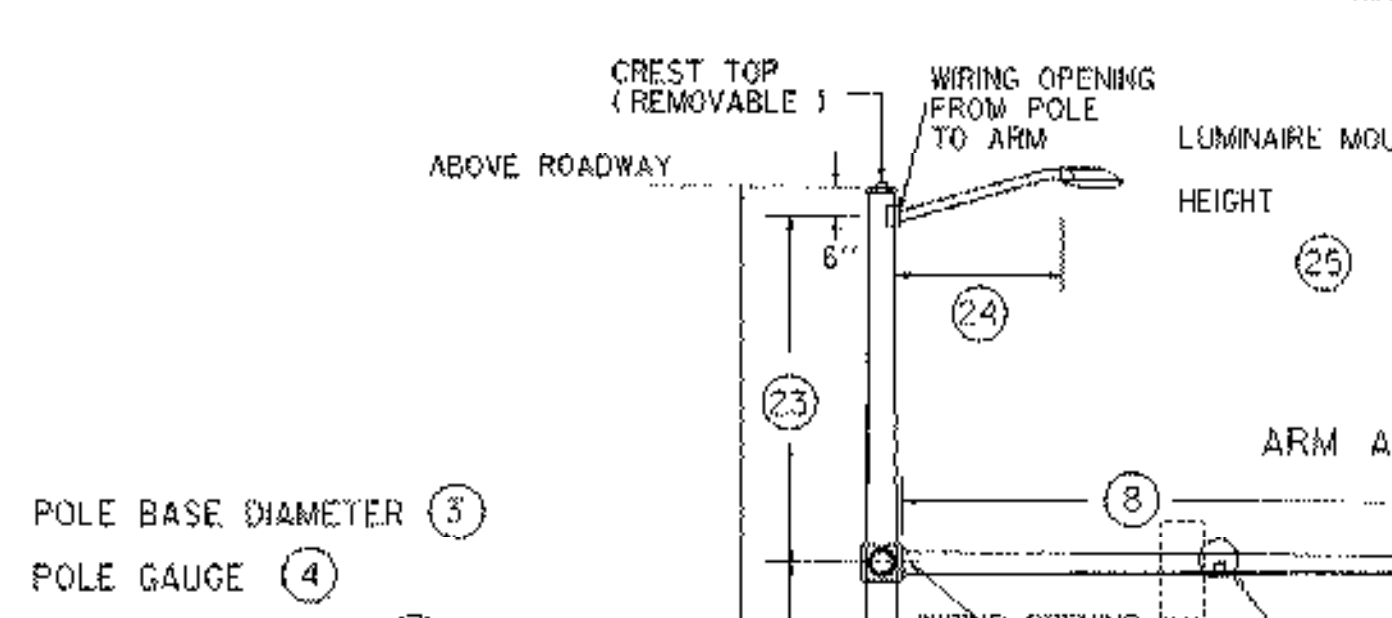
D = 3' - 0"	LONG 12-#6
H = 3' - 6"	TOP 11-#5
T = 1' - 6"	BOTTOM 11-#5 CLASS B
W = 8' - 0"	



FOOTING DIMENSIONS - SPREAD FOOTING

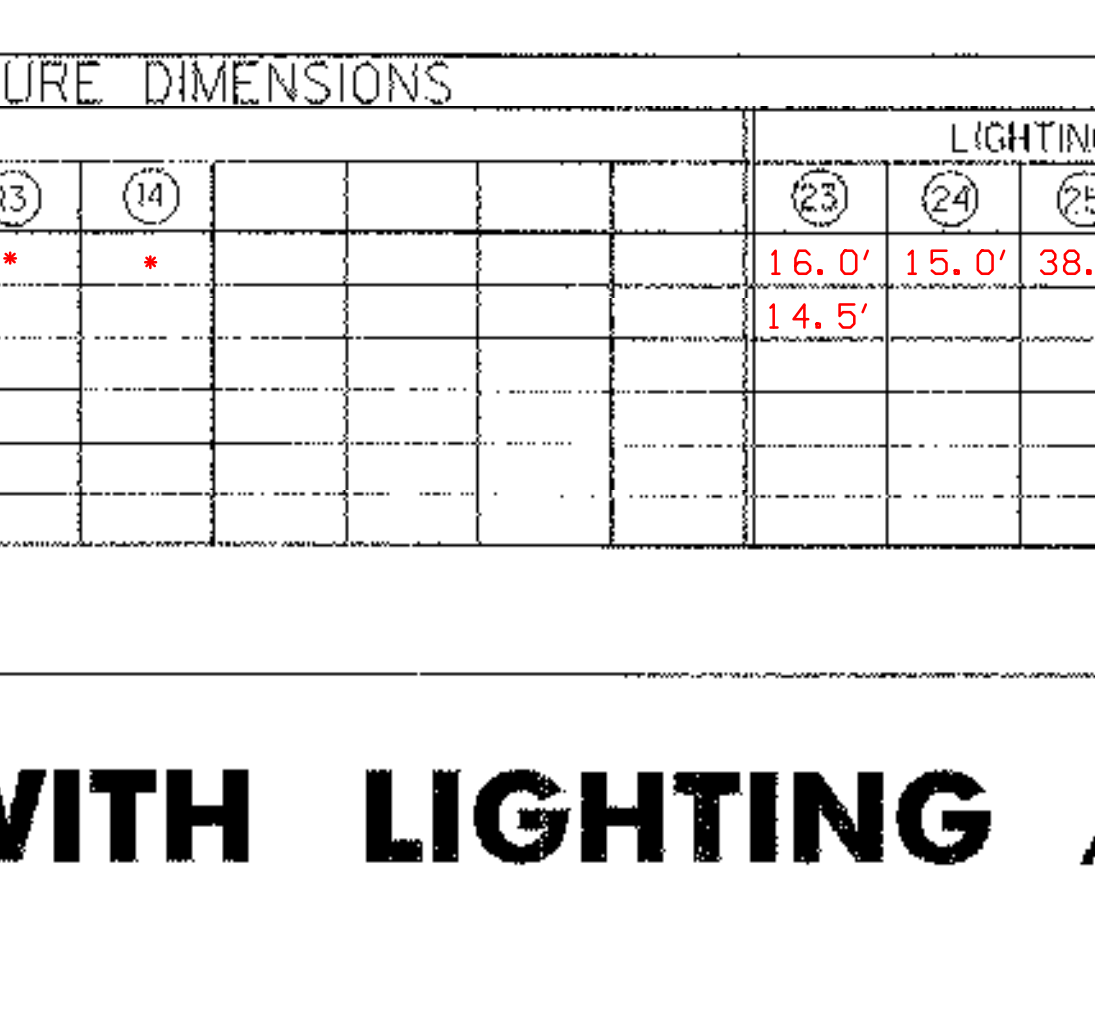
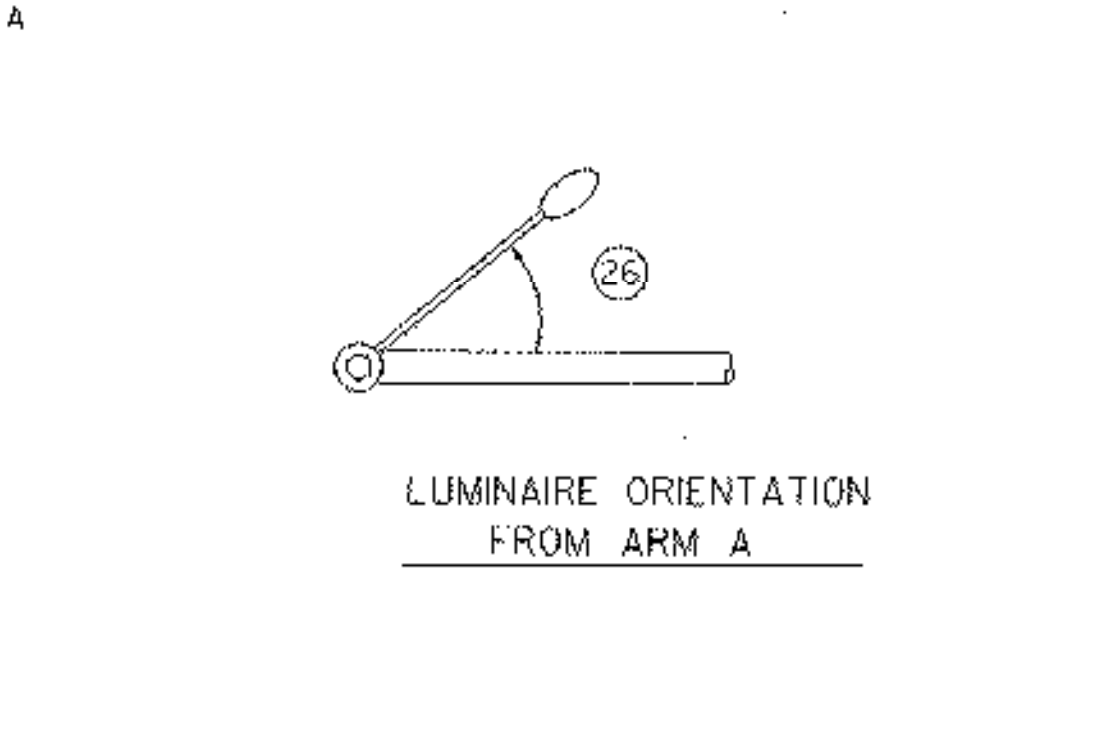
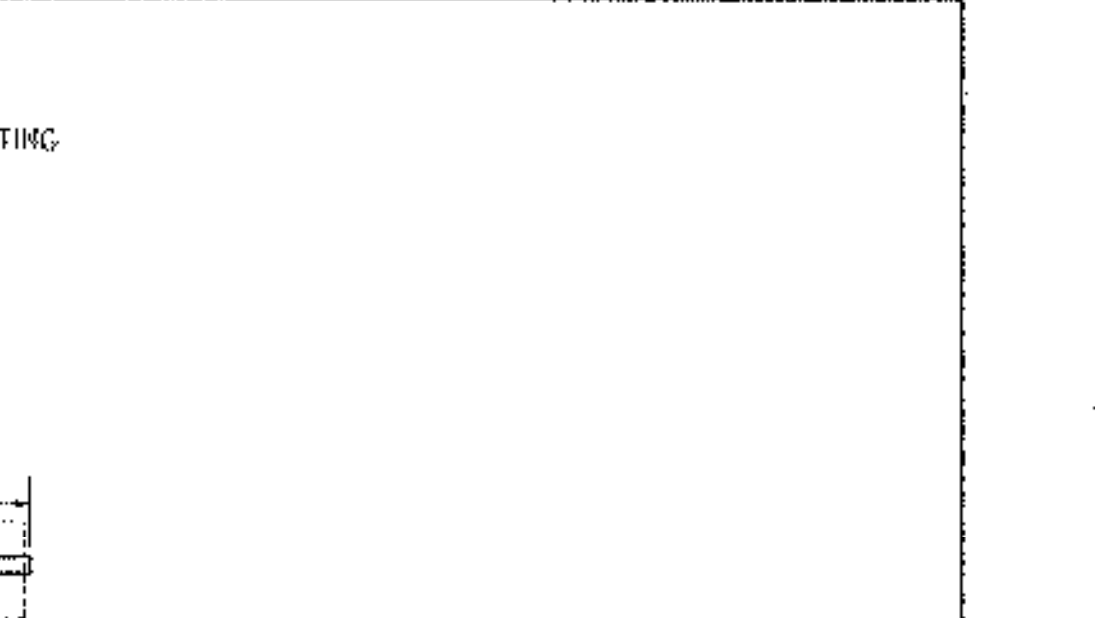
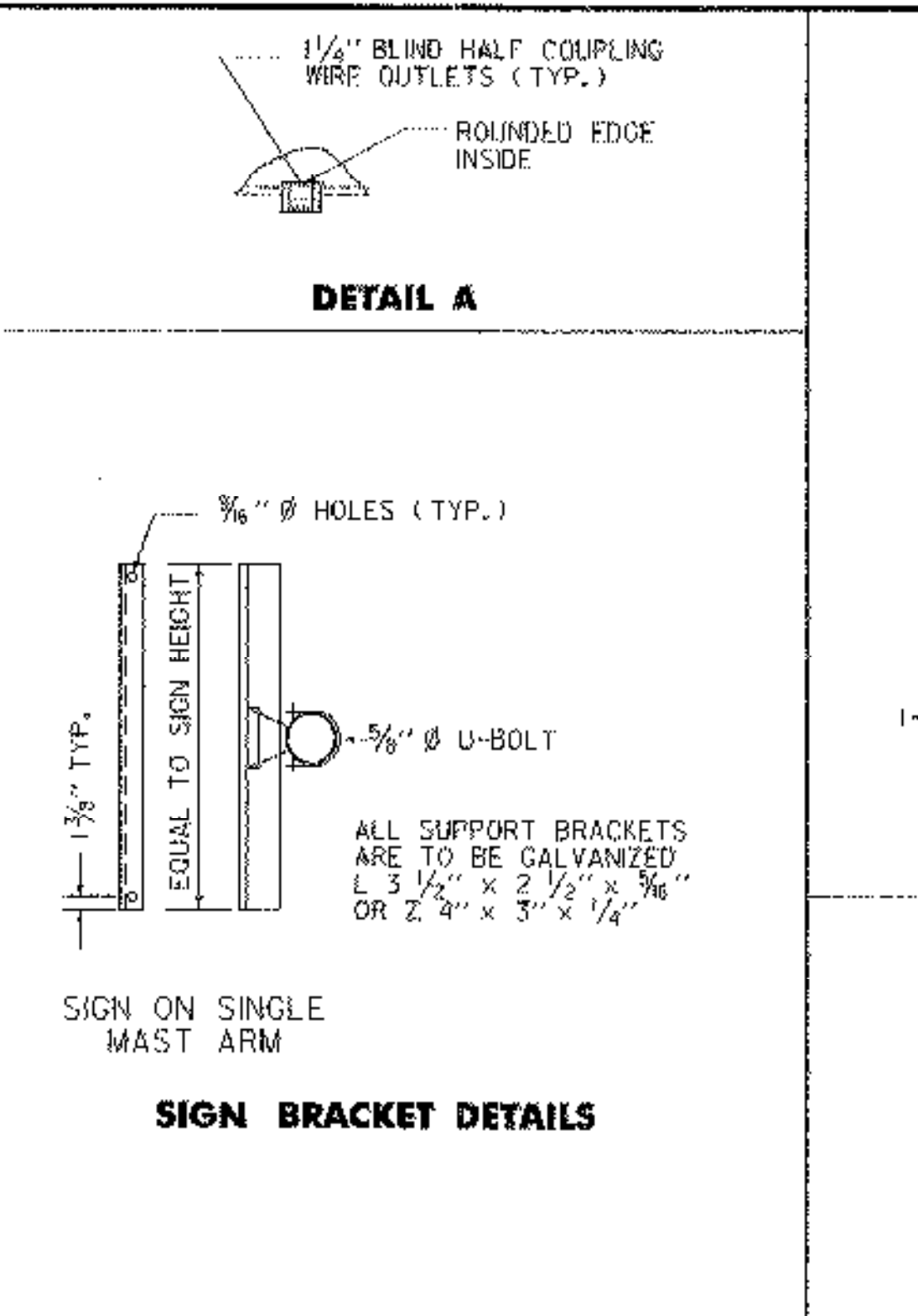
D = 3' - 0"	LONG 12-#6
H = 3' - 6"	TOP 11-#5
T = 1' - 6"	BOTTOM 11-#5 CLASS B
W = 8' - 0"	

NOTE:
DETAILS
NOT TO
SCALE



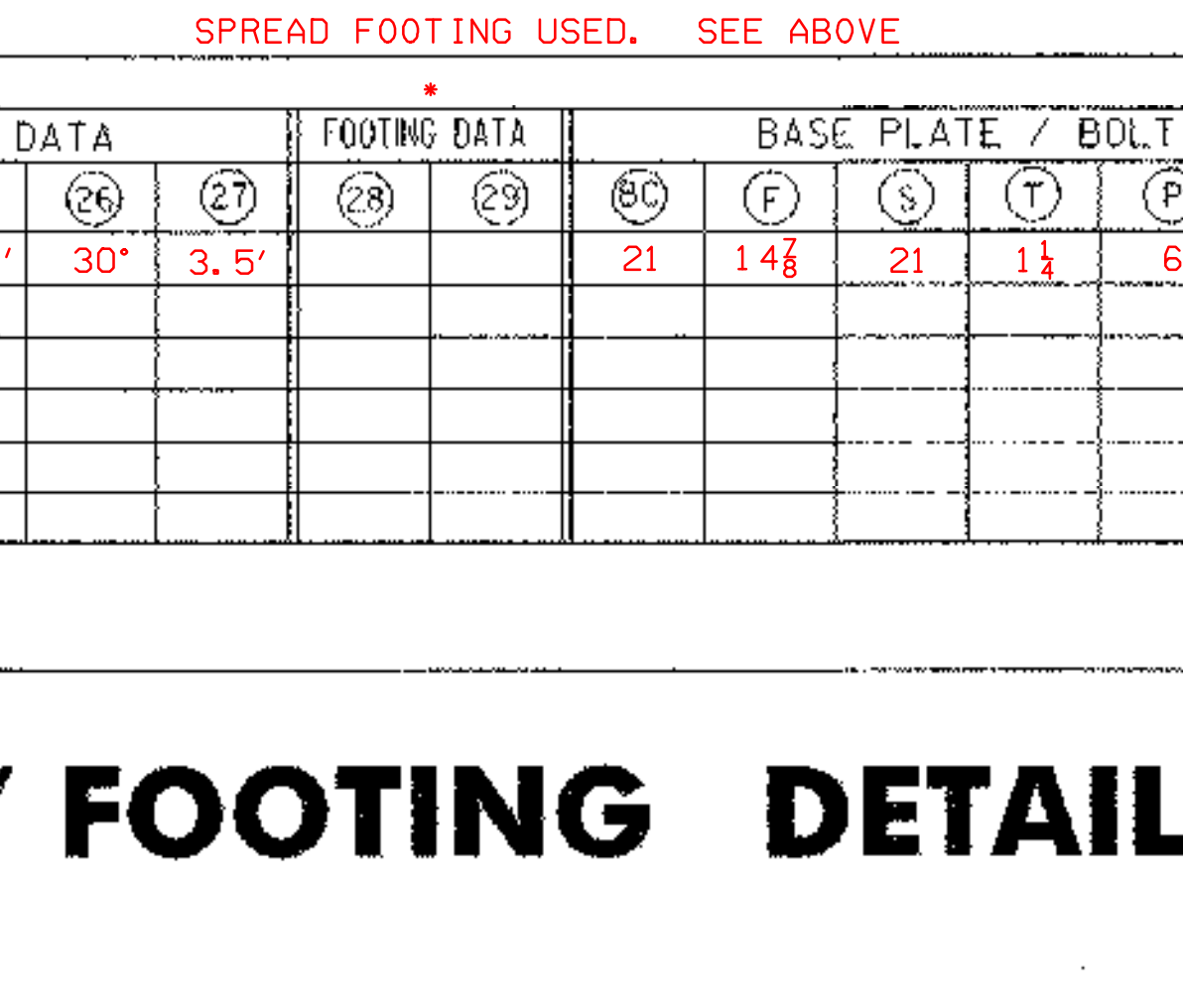
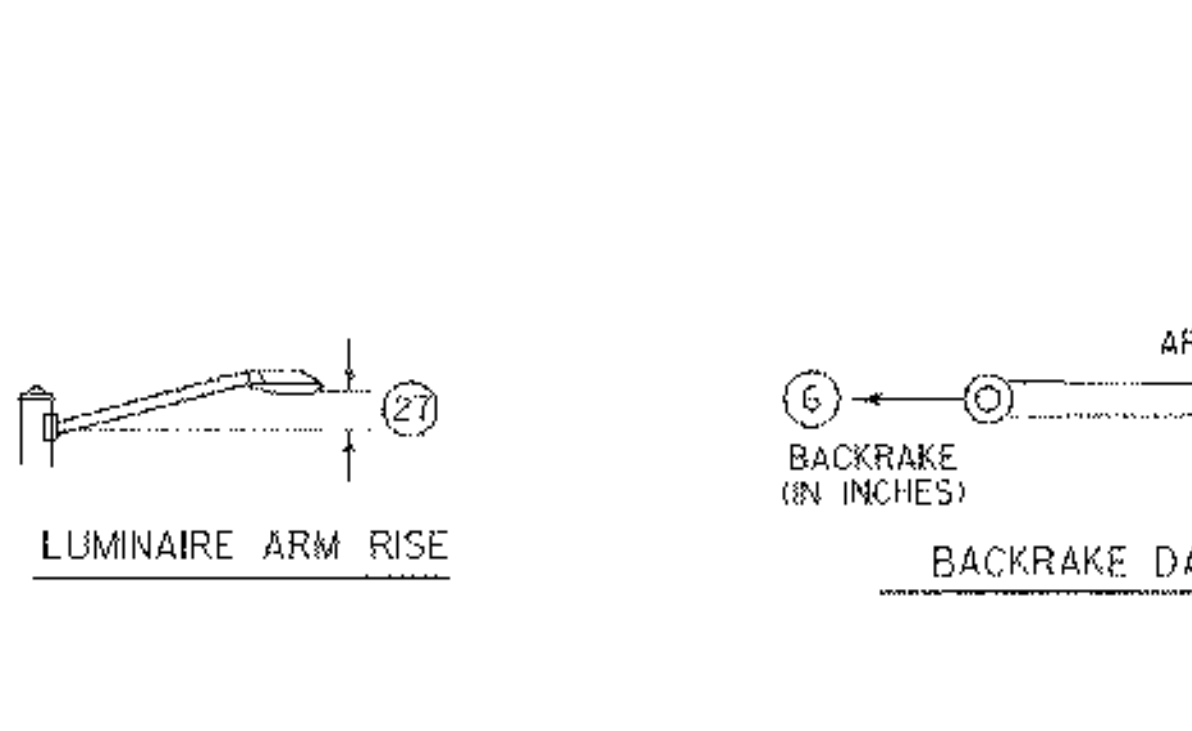
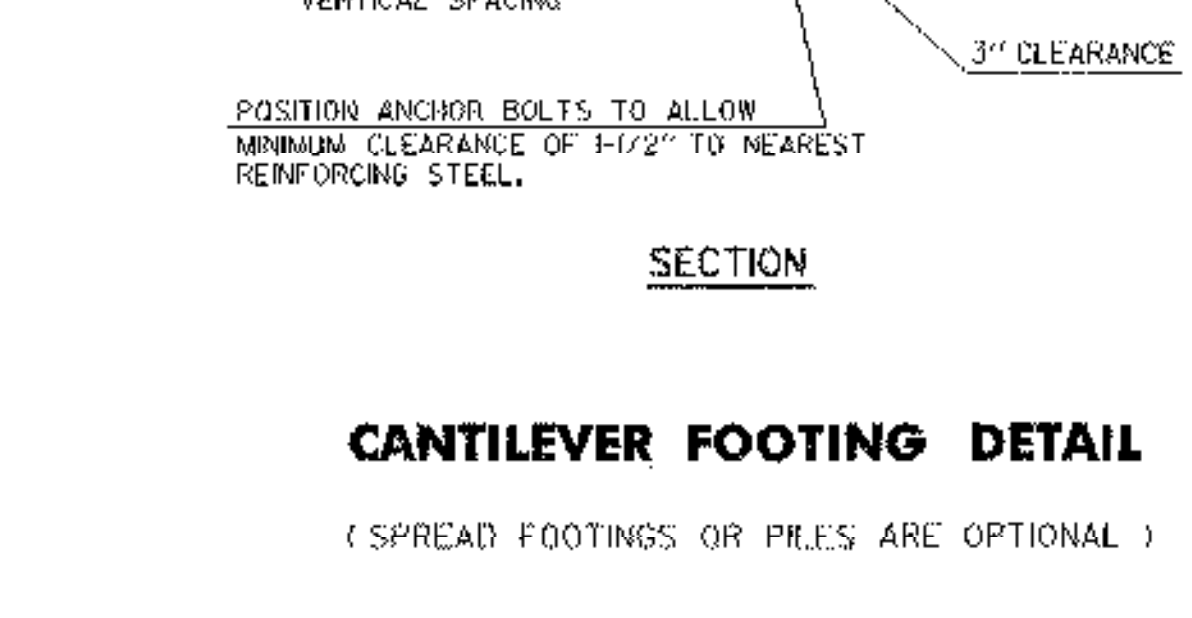
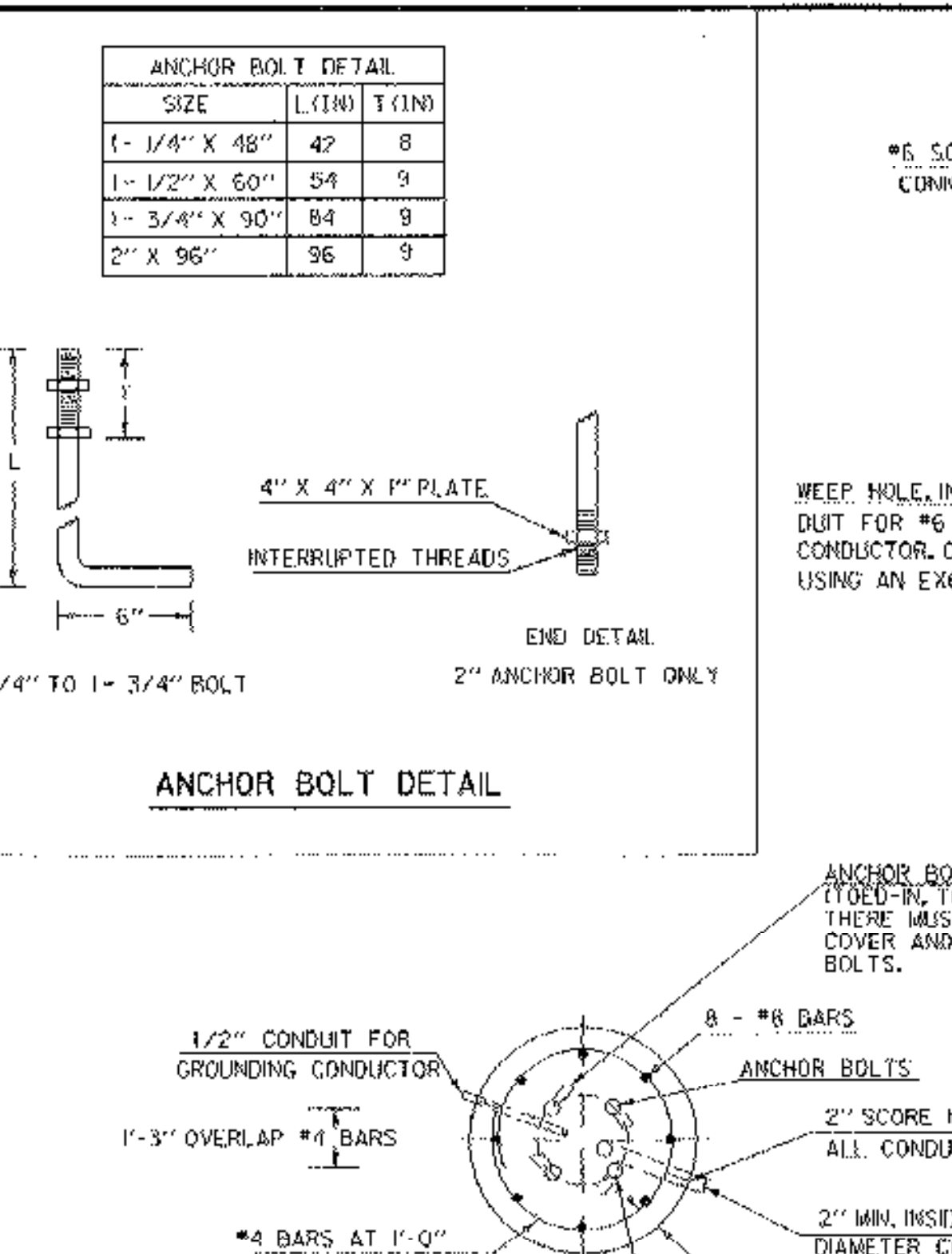
ANCHOR BOLT DETAIL

SIZE	L (IN)	T (IN)
1- 1/4" X 48"	42	8
1- 1/2" X 60"	54	9
1- 3/4" X 90"	84	9
2" X 96"	96	9



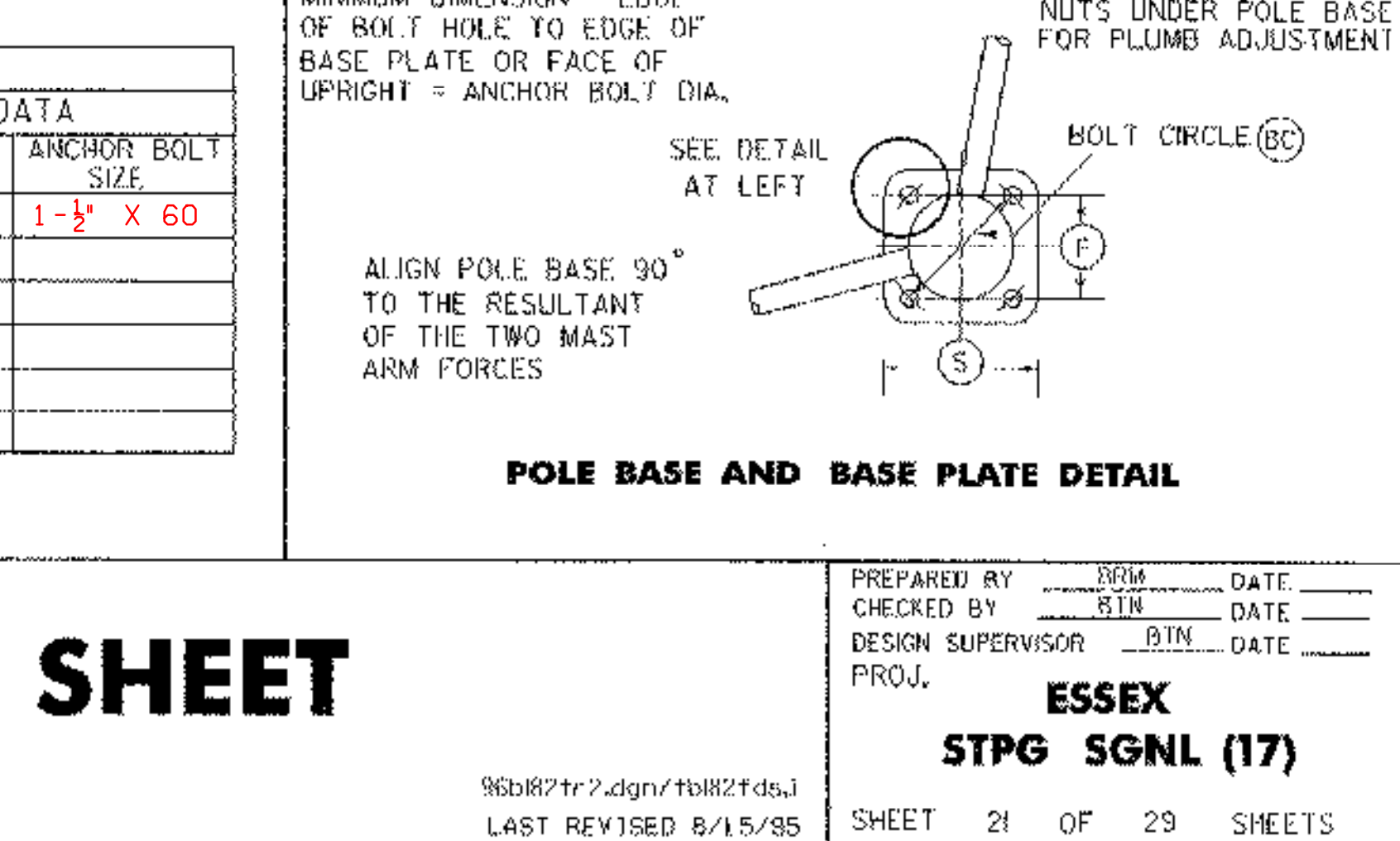
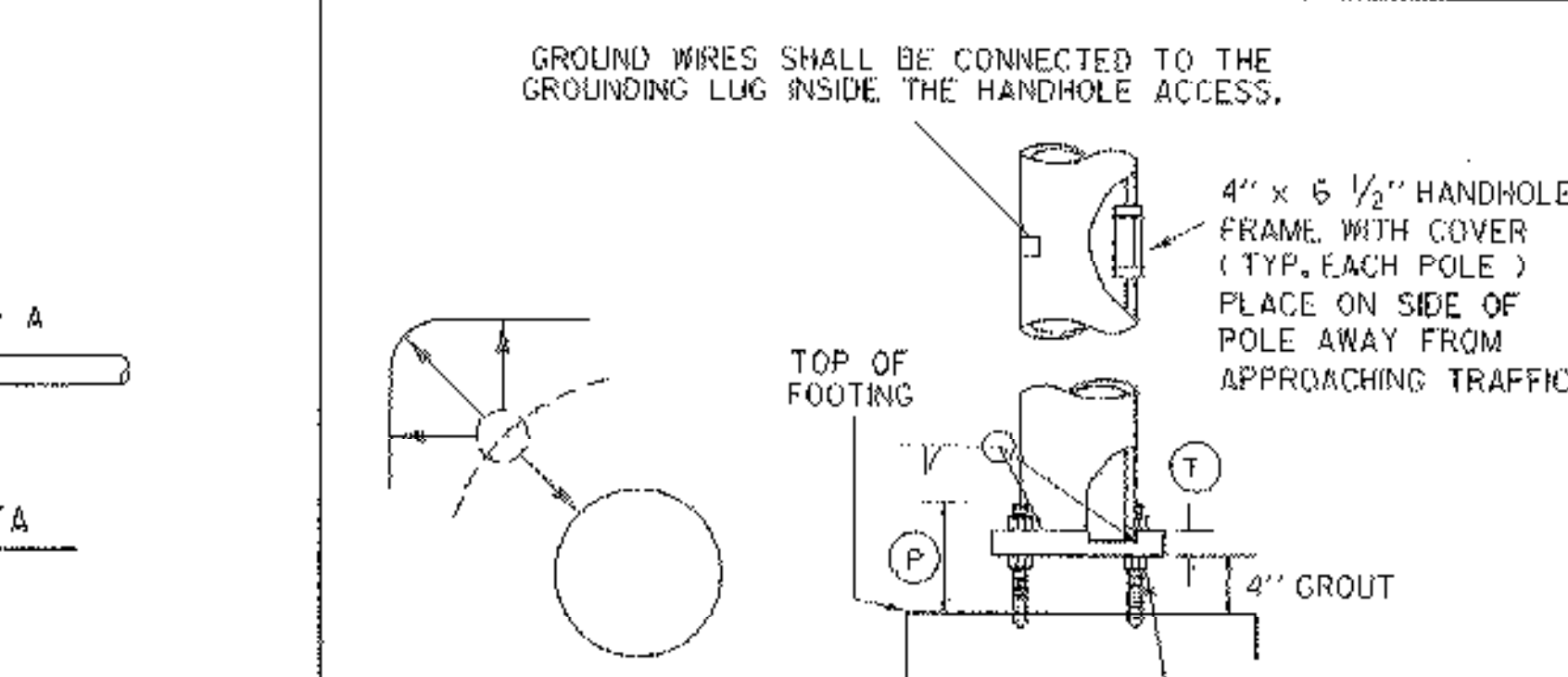
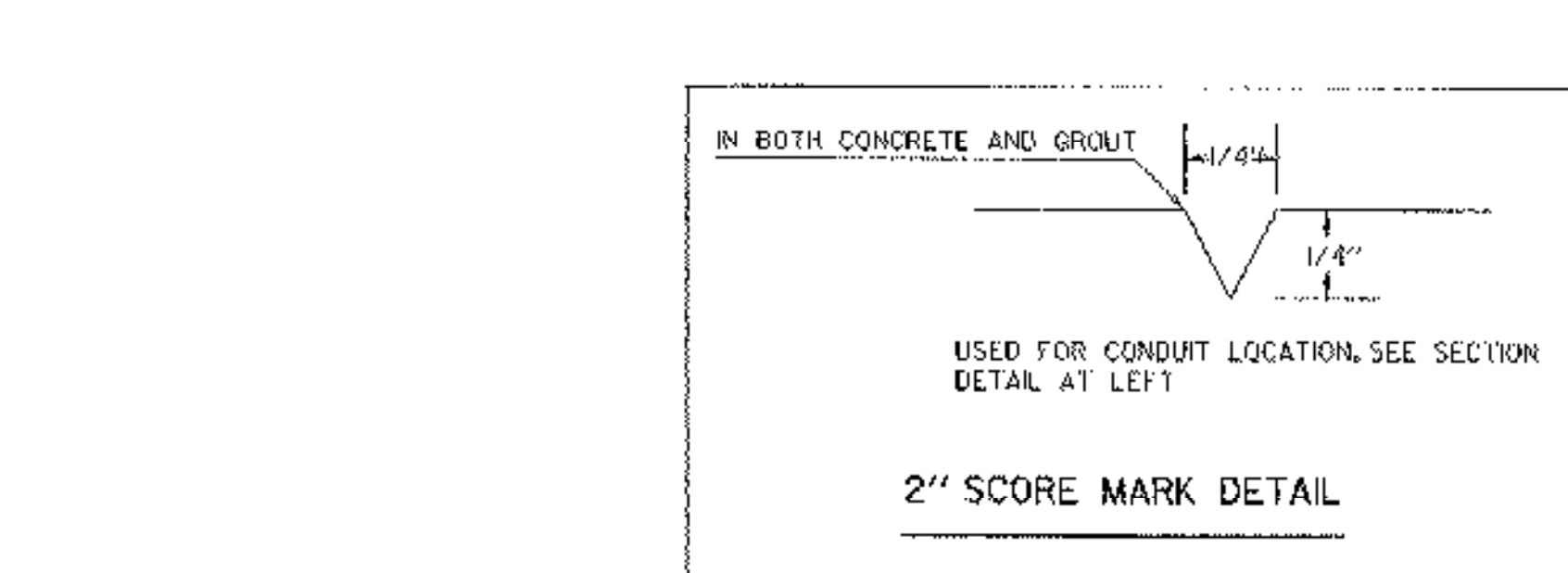
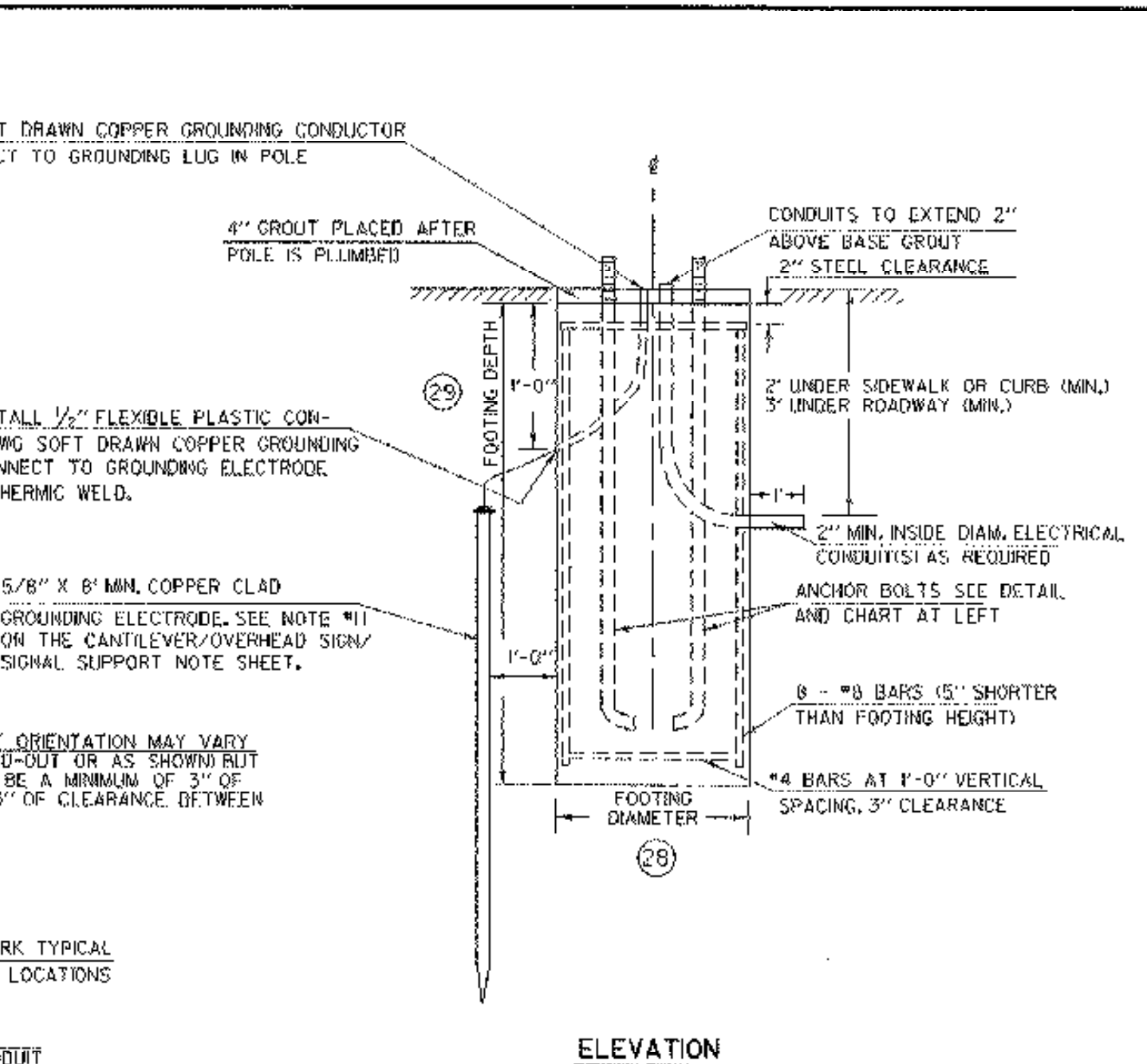
ANCHOR BOLT DETAIL

SIZE	L (IN)	T (IN)
1- 1/4" X 48"	42	8
1- 1/2" X 60"	54	9
1- 3/4" X 90"	84	9
2" X 96"	96	9



ANCHOR BOLT DETAIL

SIZE	L (IN)	T (IN)
1- 1/4" X 48"	42	8
1- 1/2" X 60"	54	9
1- 3/4" X 90"	84	9
2" X 96"	96	9



ANCHOR BOLT DETAIL

SIZE	L (IN)	T (IN)
1- 1/4" X 48"	42	8
1- 1/2" X 60"	54	9
1- 3/4" X 90"	84	9
2" X 96"	96	9

MAST ARM CANTILEVER WITH LIGHTING / FOOTING DETAIL SHEET

PLOTTED: 16-NOV-2006

PREPARED BY: BTM DATE:
 CHECKED BY: BTM DATE:
 DESIGN SUPERVISOR: BTM DATE:
 PROJ.: **ESSEX**
STPG SGNL (17)

96bR27r2.dgn / 16R27.dwg
 LAST REVISED 8/15/95

SHEET 21 OF 29 SHEETS