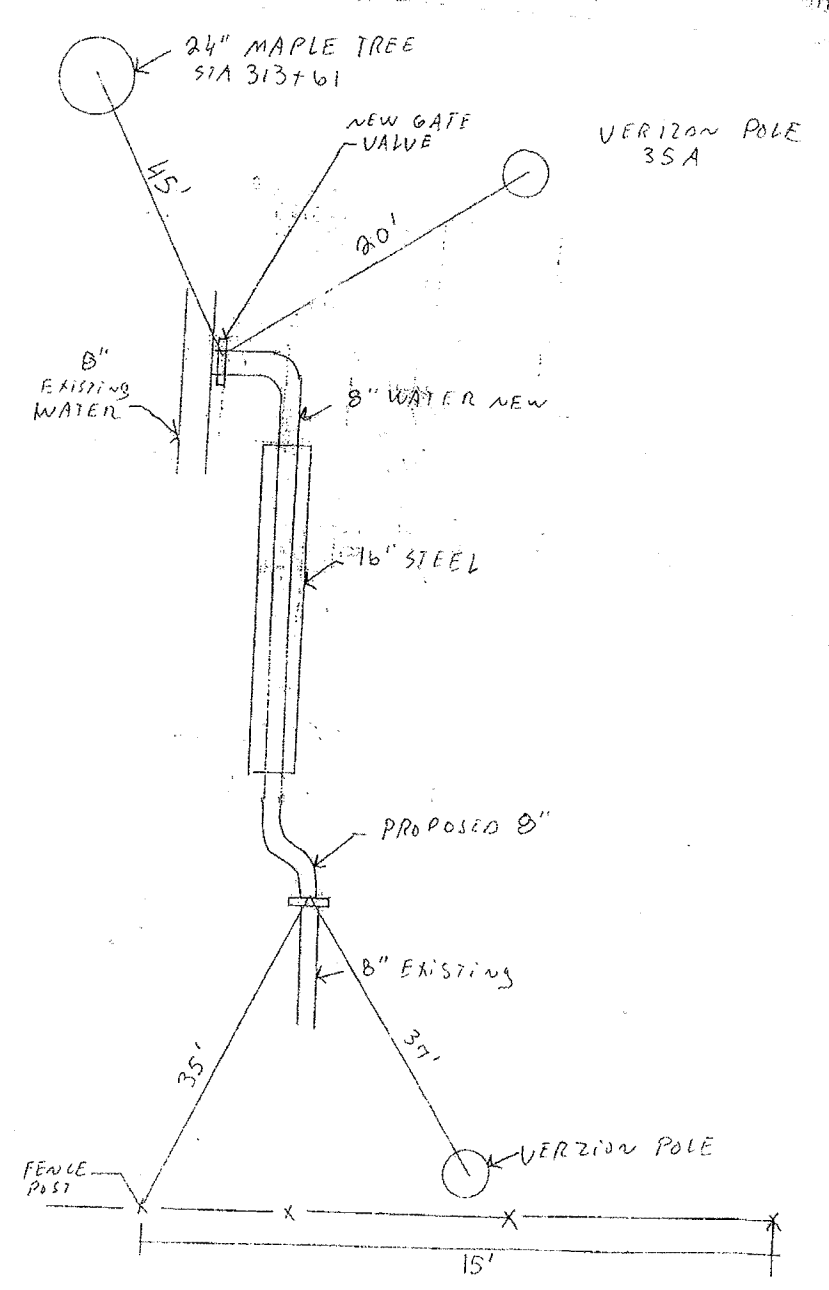


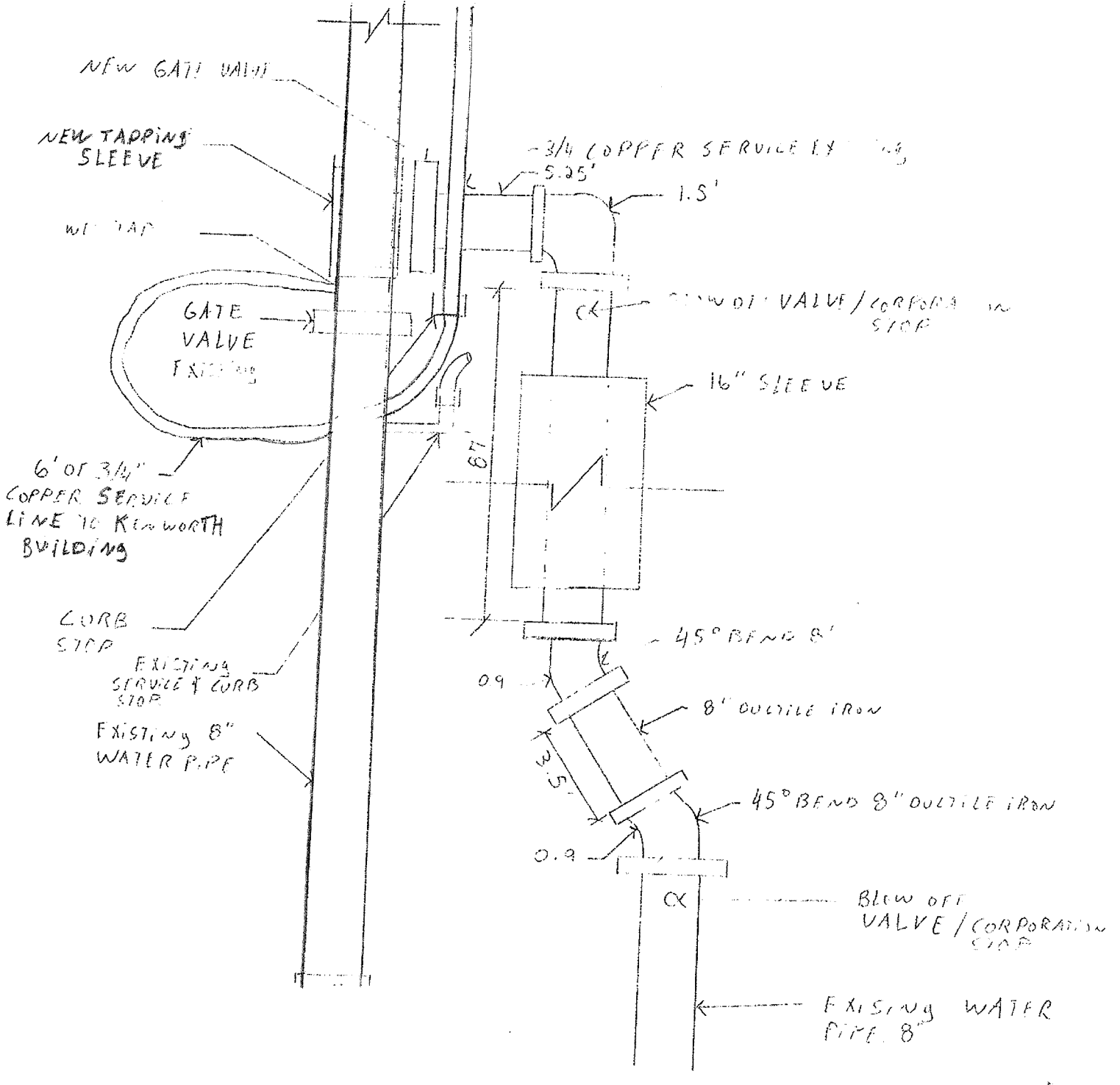
DUFRESNE-HENRY  
 PREPARED BY: P. ARMAIA DATE: 9/9/04 PROJECT NO. 12514  
 CALCULATIONS CHECKED BY: DATE: SHEET NO. 3 OF 2  
 ASSUMPTIONS / METHODS CHECKED BY: DATE: SUBJECT: WATER CROSSING @ 313+89



\* SEE SHEET 2 OF 3 FOR EXACT DESCRIPTION OF PIPE THIS SHEET FOR TIE OFF INFORMATION.

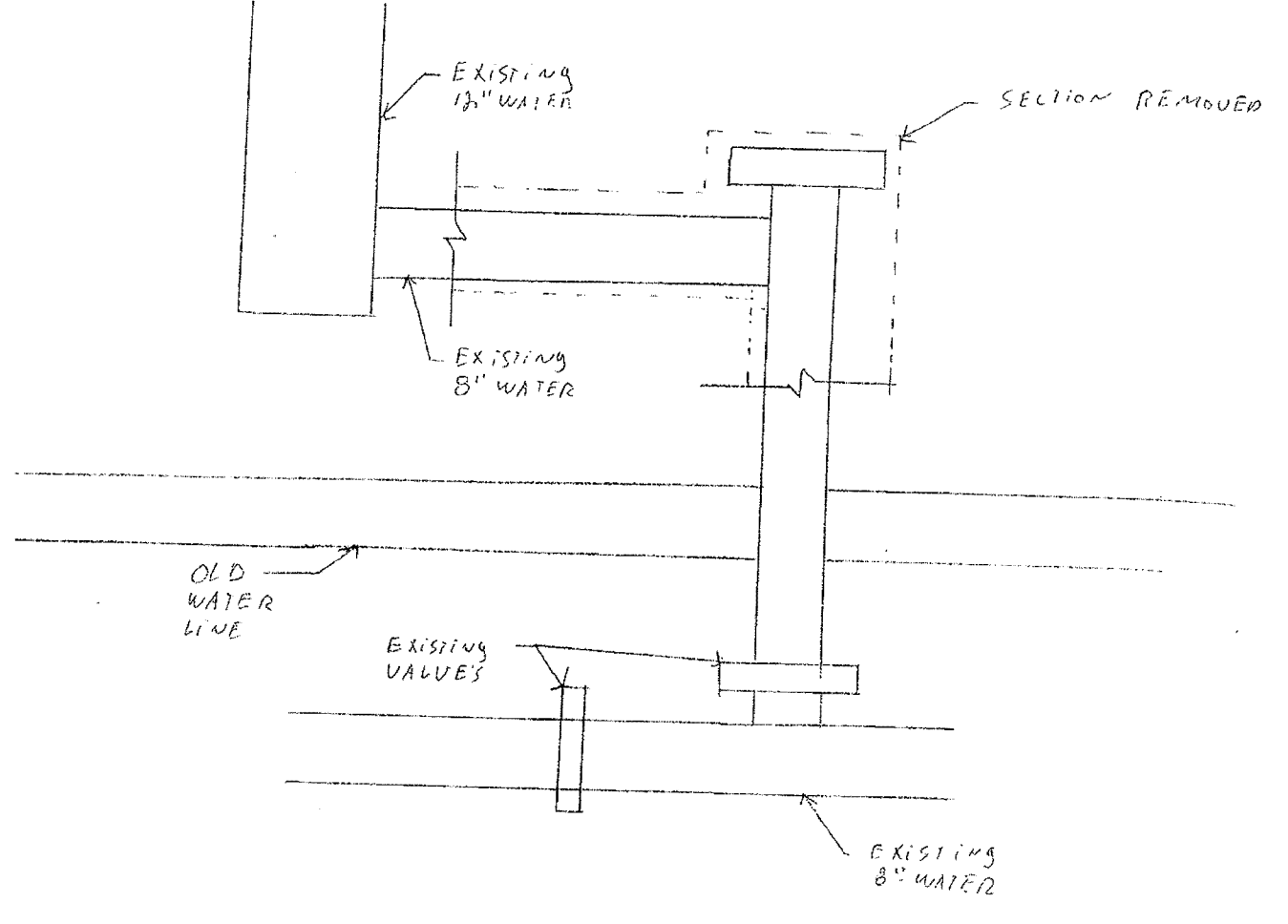
**WATER LINE DETAIL #6**  
**WATER PIPE AND SLEEVE @ 313+89 RT-LT**  
**SEE SHEET 474 OF 537**  
**N. T. S**

DUFRESNE-HENRY  
 PREPARED BY: P. ARMAIA DATE: 9/9/04 PROJECT NO. 12514  
 CALCULATIONS CHECKED BY: DATE: SHEET NO. 2 OF 2  
 ASSUMPTIONS / METHODS CHECKED BY: DATE: SUBJECT: WATER CROSSING @ 313+89 LT



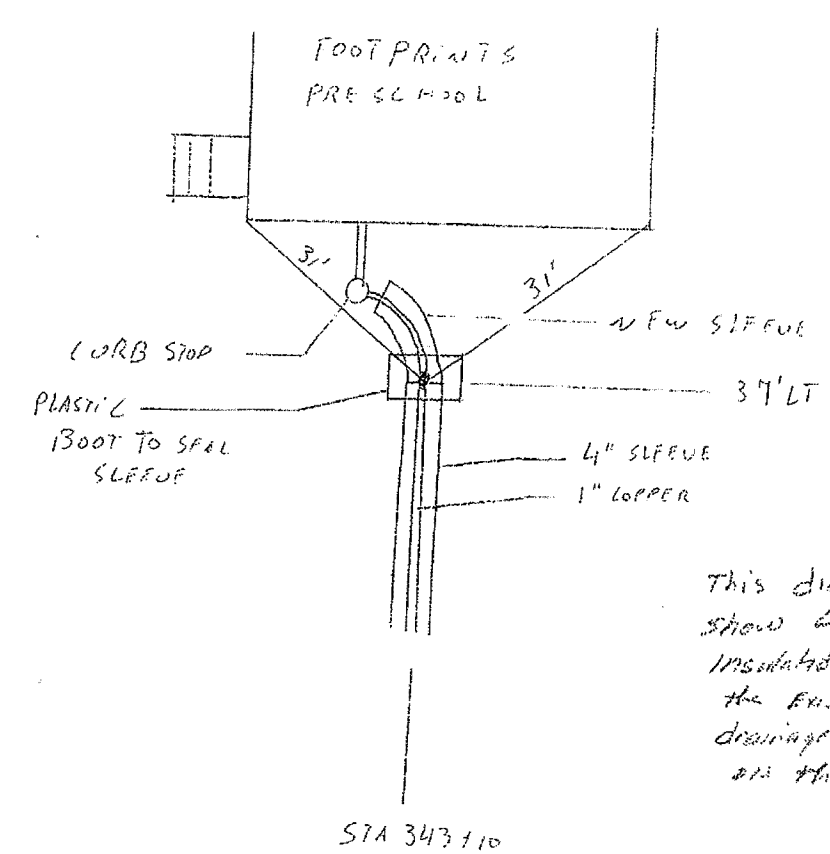
**WATER LINE DETAIL #7**  
**WATER PIPE AND SLEEVE @ 313+89 LT**  
**SEE SHEET 474 OF 537**  
**N. T. S**

DUFRESNE-HENRY  
 BY: PZA DATE: 8/25/04 PROJECT NO. 12514  
 CALCULATIONS CHECKED BY: DATE: SHEET NO. 2 OF 2  
 ASSUMPTIONS / METHODS CHECKED BY: DATE: SUBJECT: 313+89 40' RT



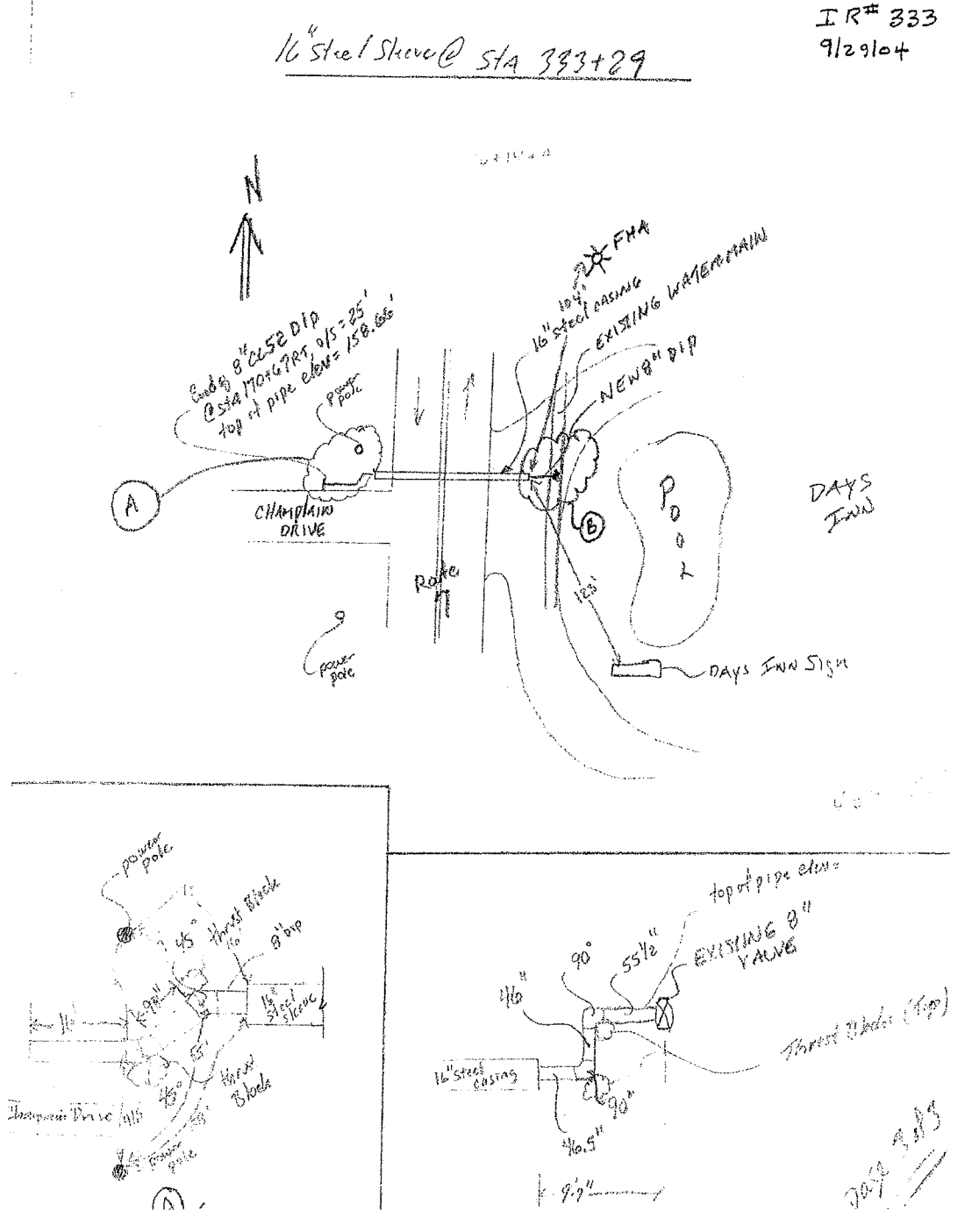
**WATER LINE DETAIL #8**  
**WATER PIPE AND SLEEVE @ 313+89 RT**  
**SEE SHEET 474 OF 537**  
**N. T. S**

DUFRESNE-HENRY  
 PREPARED BY: P. ARMAIA DATE: 11/10/04 PROJECT NO. 12514  
 CALCULATIONS CHECKED BY: DATE: SHEET NO. 2 OF 2  
 ASSUMPTIONS / METHODS CHECKED BY: DATE: SUBJECT: TIE OFF TO NEW BOOF

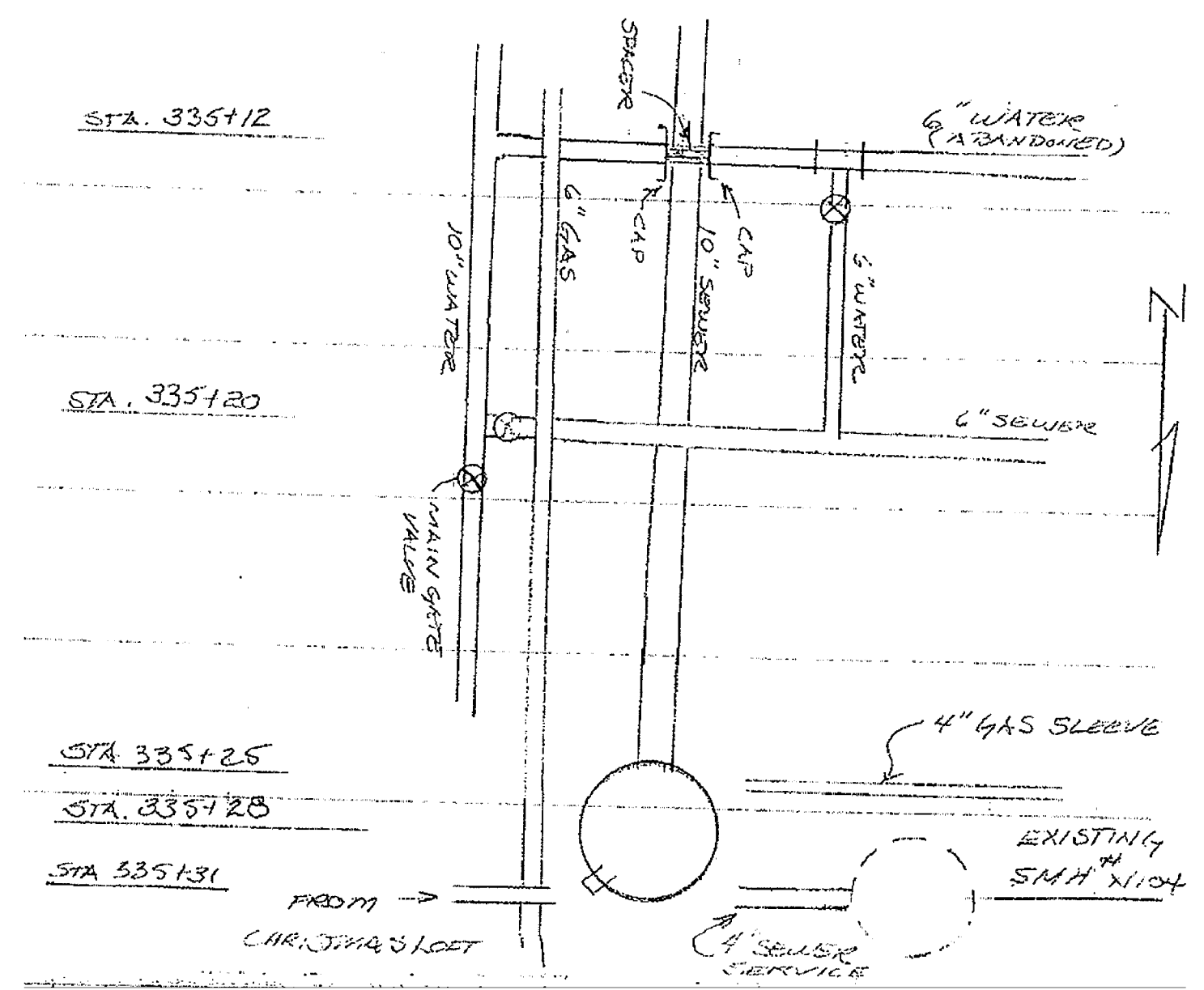


**WATER LINE DETAIL #11**  
**WATER PIPE AND SLEEVE @ 343+13 LT**  
**SEE SHEET 483 OF 537**  
**N. T. S**

This diagram is to show location of transition bands between the existing service & the drainage pipe installation on this date 11/10/04



**WATER LINE DETAIL #9**  
**WATER PIPE AND SLEEVE @ 333+29 RT-LT**  
**SEE SHEET 482 OF 537**  
**N. T. S**



**WATER LINE DETAIL #10**  
**WATER & SEWER @ 335+12 RT**  
**SEE SHEET 482 OF 537**  
**N. T. S**

PROJECT NAME:	SHELBURNE ROAD	FILE NAME:		PLOT DATE:	11/24/2009
PROJECT NUMBER:	NH-EGC-019-4(27)	PROJECT LEADER:		DRAWN BY:	STANTEC
		DESIGNED BY:		CHECKED BY:	STANTEC
		FIELD SKETCH SHEET 2			SHEET 494B OF 537

