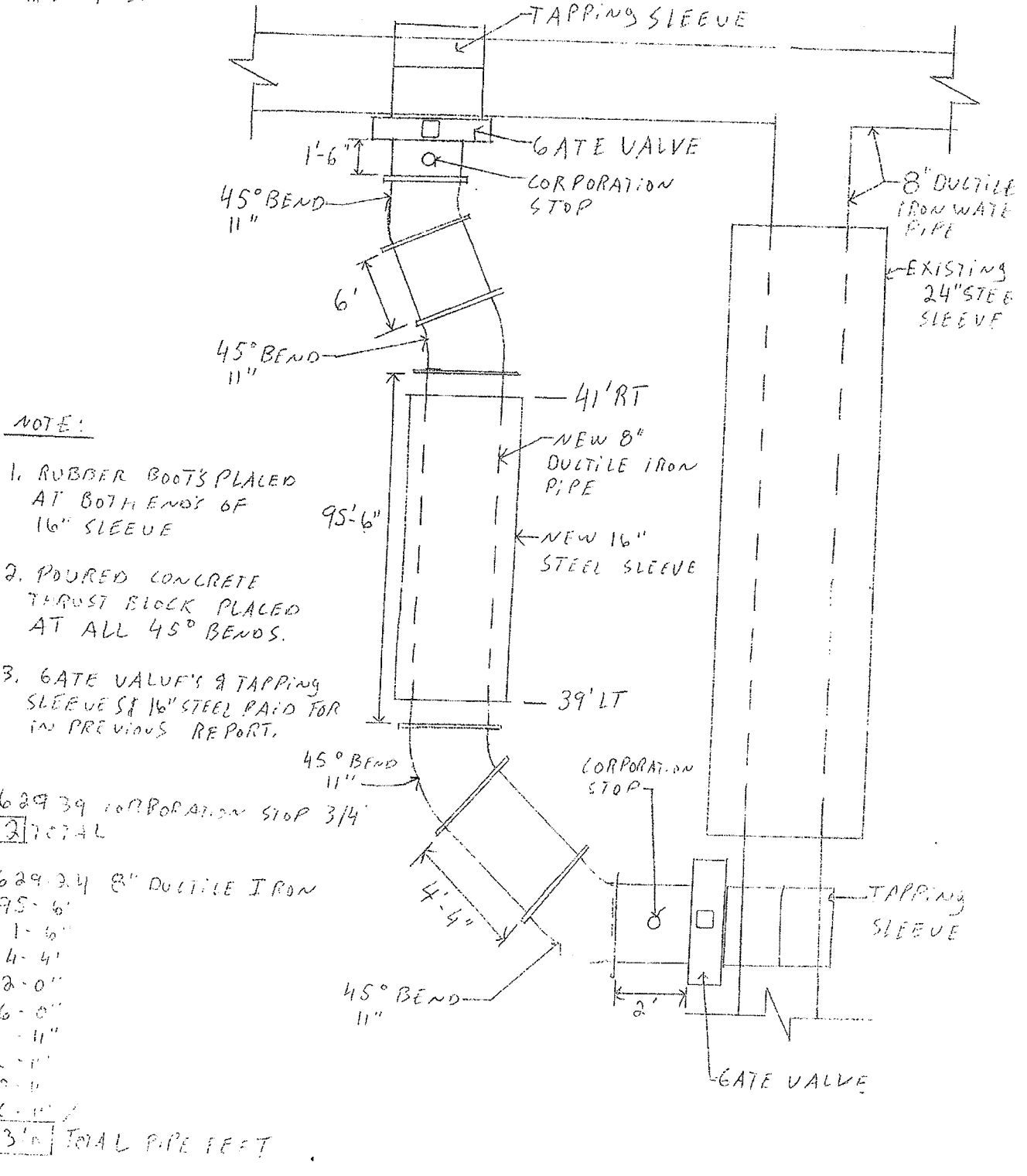
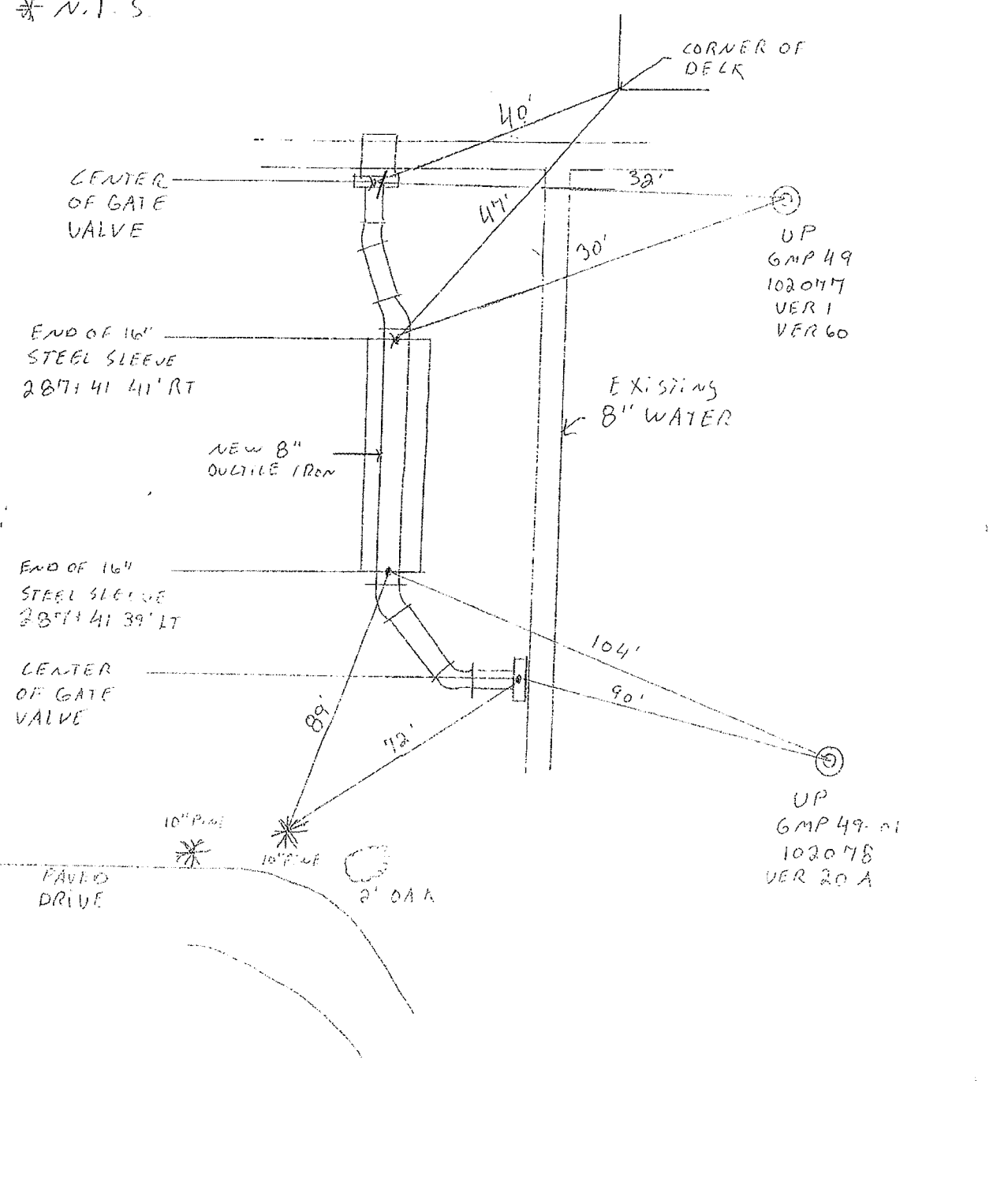


DUFRESNE-HENRY  
 PROJECT NO. IR#350  
 DATE 10/1/04  
 SHEET NO. 2 OF 4  
 SUBJECT: NEW WATER PIPE & SLEEVE AT STA 287+41 50' RT-LT  
 N.T.S.



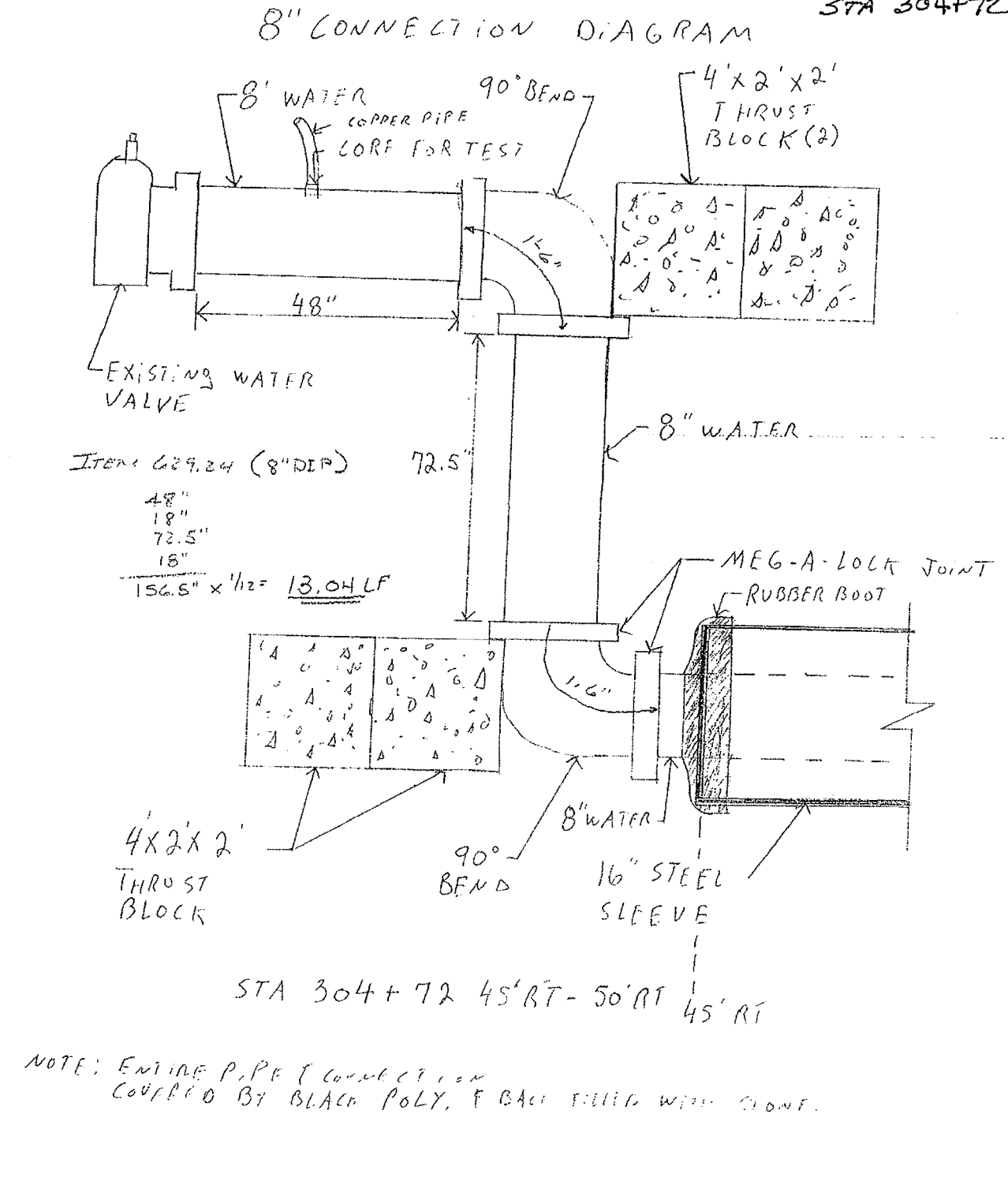
**WATER LINE DETAIL #1**  
**WATER PIPE AND SLEEVE @ 287+41 RT**  
 SEE SHEET 467 OF 537  
 N.T.S.

DUFRESNE-HENRY  
 PROJECT NO. IR#350  
 DATE 10/1/04  
 SHEET NO. 3 OF 4  
 SUBJECT: NEW 8" WATER PIPE T.E OFF INFO. 287+41  
 N.T.S.



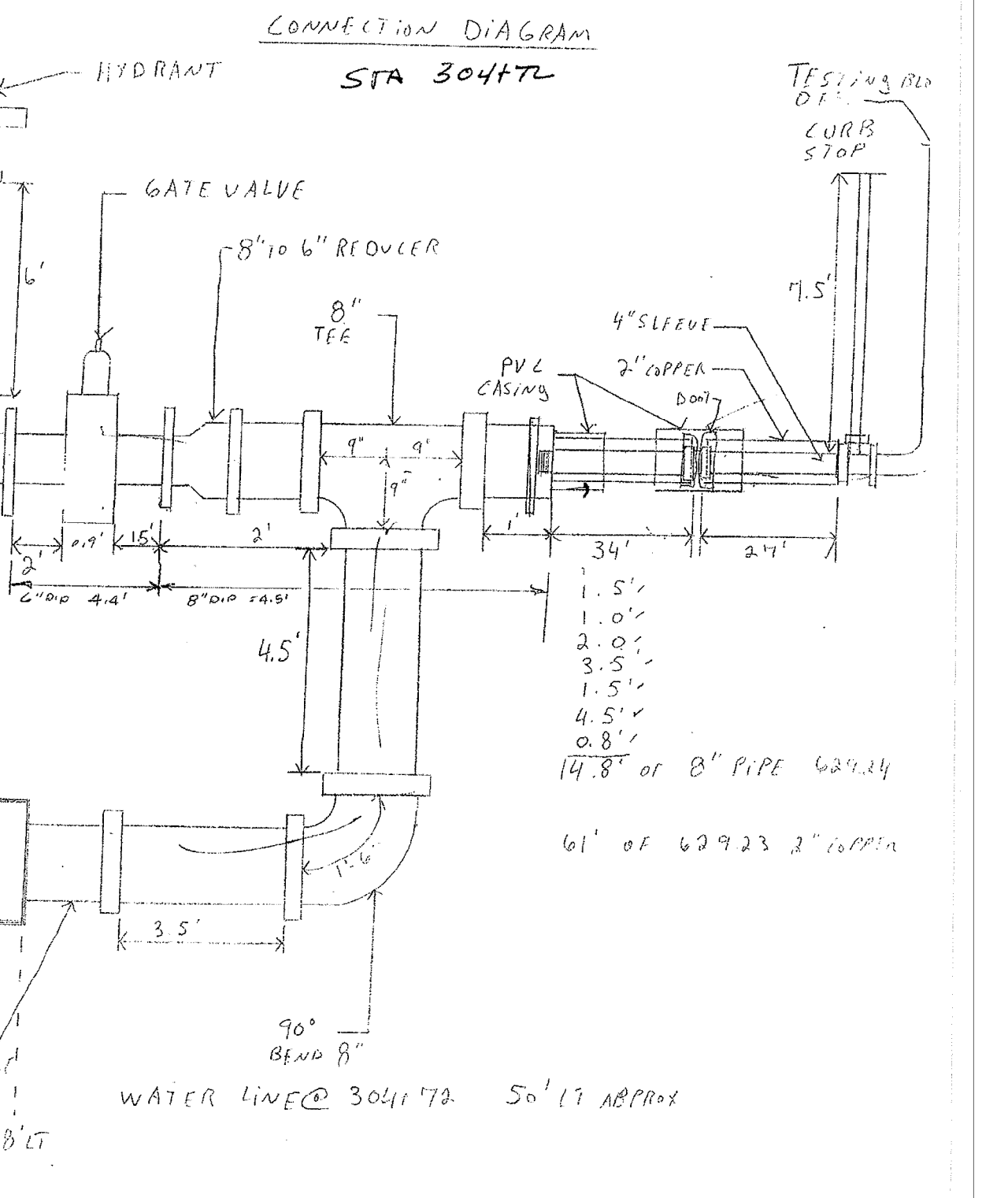
**WATER LINE DETAIL #2**  
**SLEEVE CROSSING @ 287+41 RT-LT**  
 SEE SHEET 467 OF 537  
 N.T.S.

DUFRESNE-HENRY  
 PROJECT NO. IR#82  
 DATE 8/2/04  
 SHEET NO. 1 OF 3  
 SUBJECT: SHELburne RD WATER MAIN CROSSING  
 STA 304+72

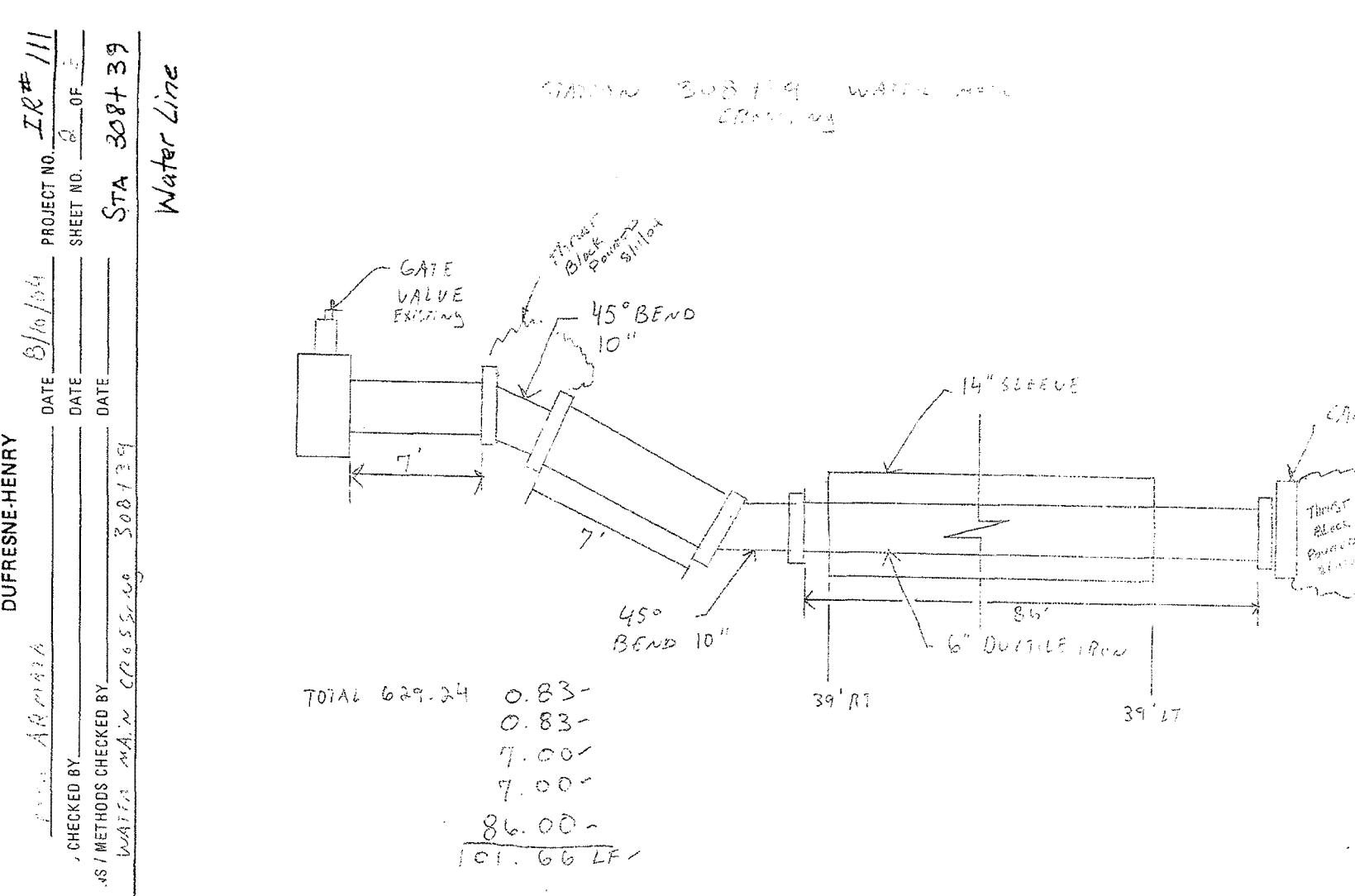


**WATER LINE DETAIL #3**  
**WATER PIPE AND SLEEVE @ 304+72 RT**  
 SEE SHEET 472 OF 537  
 N.T.S.

DUFRESNE-HENRY  
 PROJECT NO. IR#82  
 DATE 8/2/04  
 SHEET NO. 3 OF 3  
 SUBJECT: SHELburne RD WATER MAIN CROSSING  
 STA 304+72



**WATER LINE DETAIL #4**  
**WATER PIPE AND SLEEVE @ 304+72 LT**  
 SEE SHEET 472 OF 537  
 N.T.S.



**WATER LINE DETAIL #5**  
**WATER PIPE AND SLEEVE @ 308+39 RT**  
 SEE SHEET 472 OF 537  
 N.T.S.

PROJECT NAME:	SHELburne ROAD
PROJECT NUMBER:	NH-EGC-019-4(27)
FILE NAME:	
PROJECT LEADER:	
DESIGNED BY:	
FIELD SKETCH SHEET I	
PLOT DATE:	11/12/2009
DRAWN BY:	STANTEC
CHECKED BY:	STANTEC
SHEET	494A OF 537

