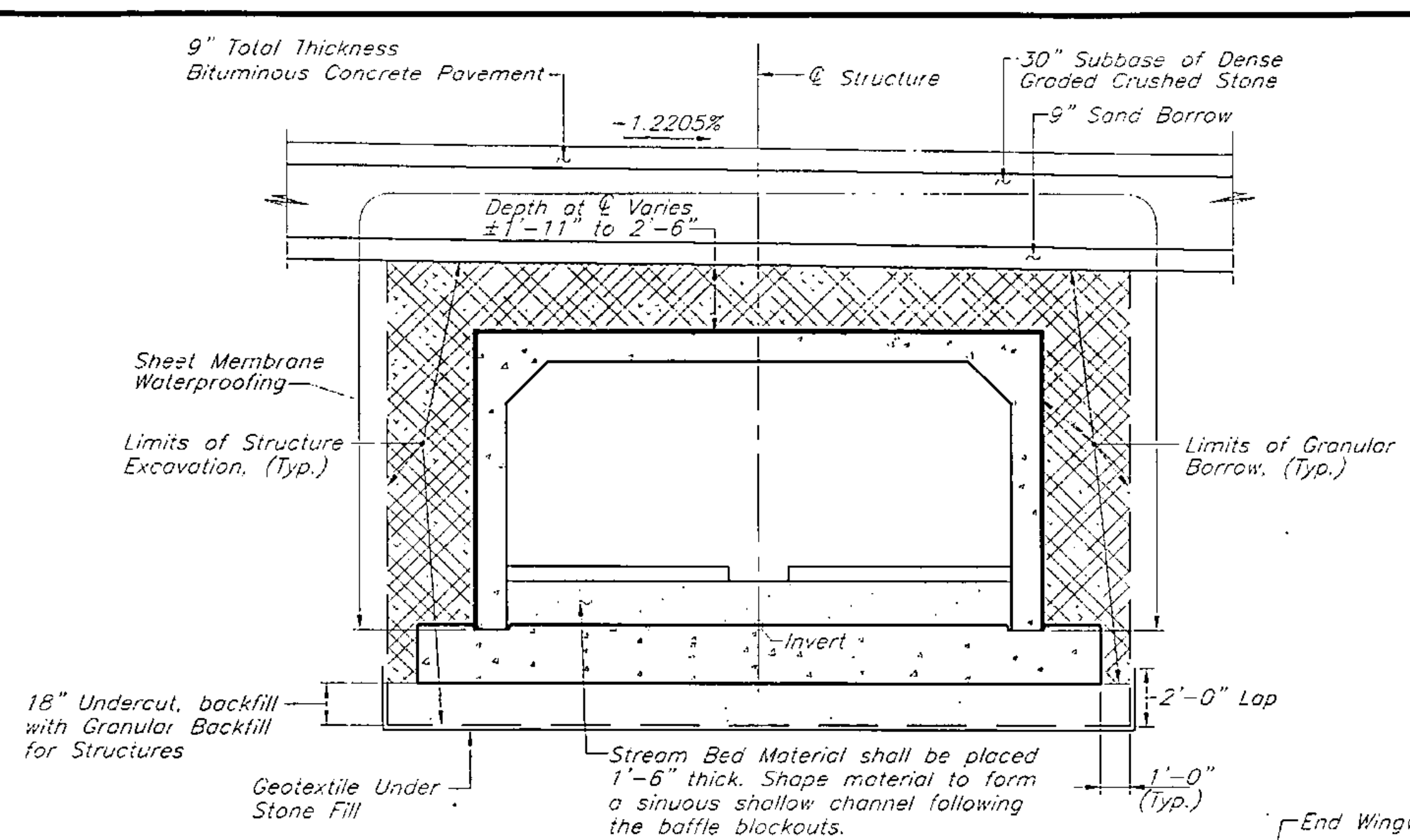
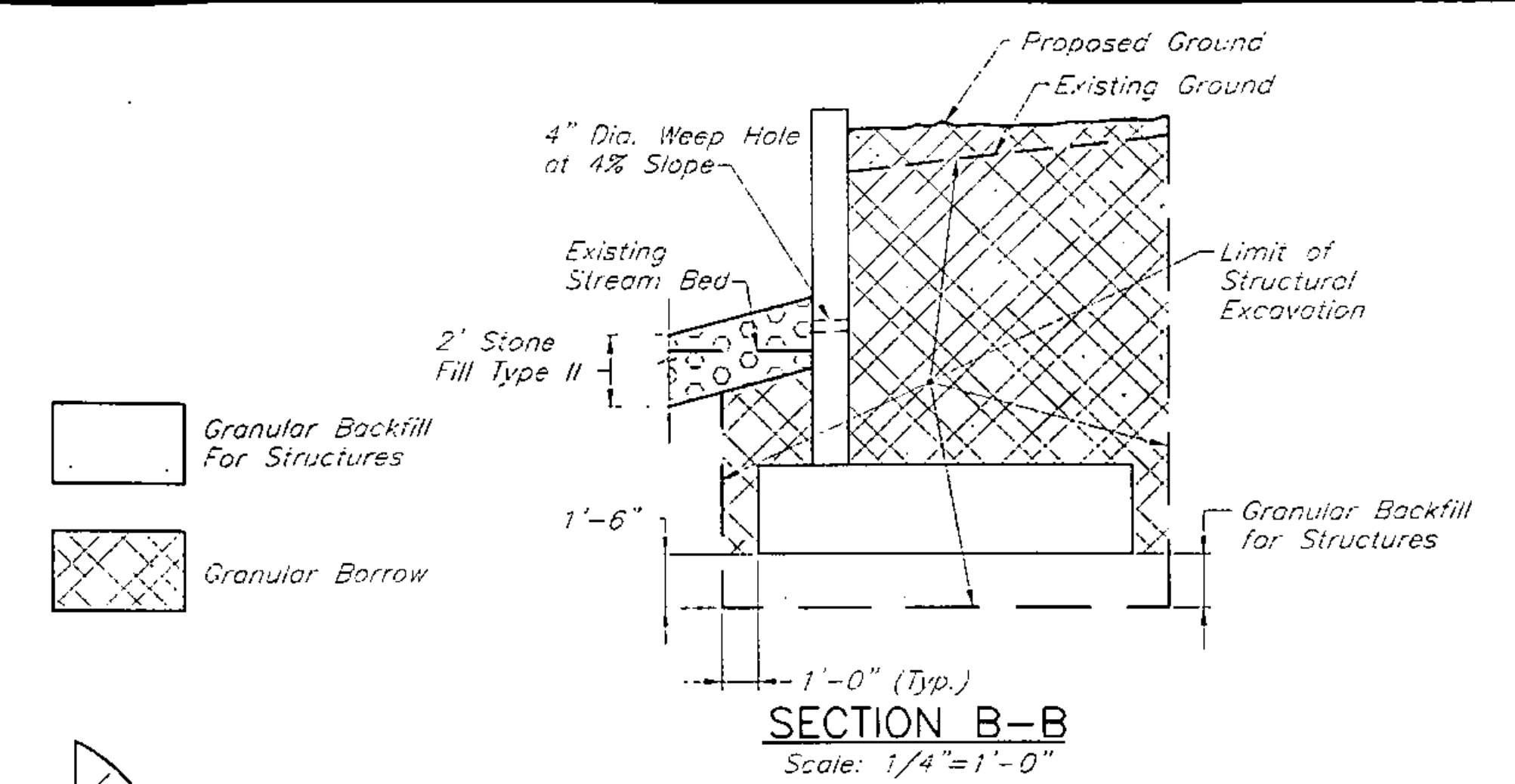


PLAN
Scale: 1"=10'-0"



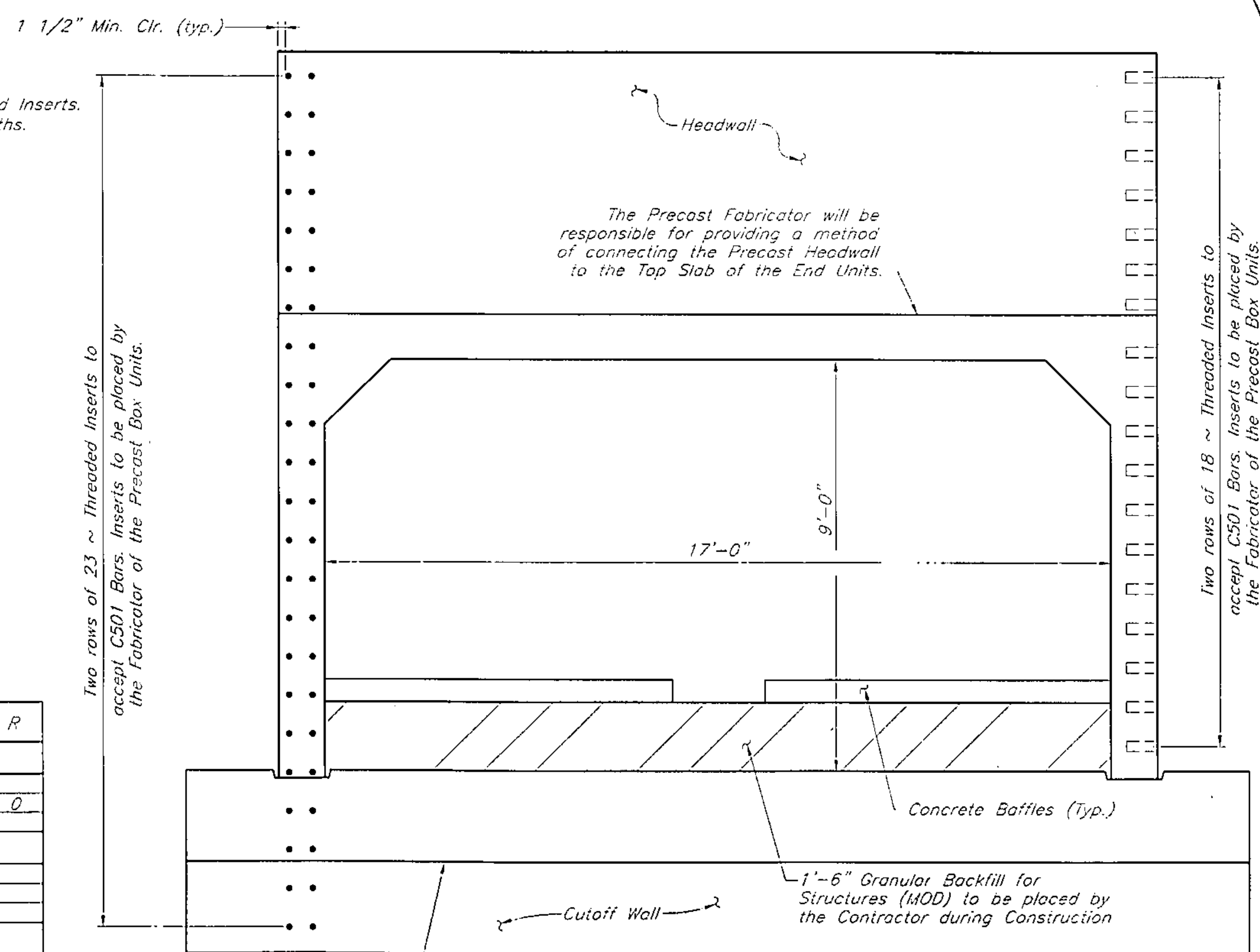
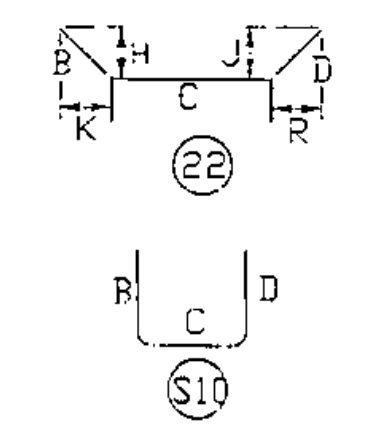
TYPICAL EARTHWORK DETAIL
Scale: 1/4"=1'-0"



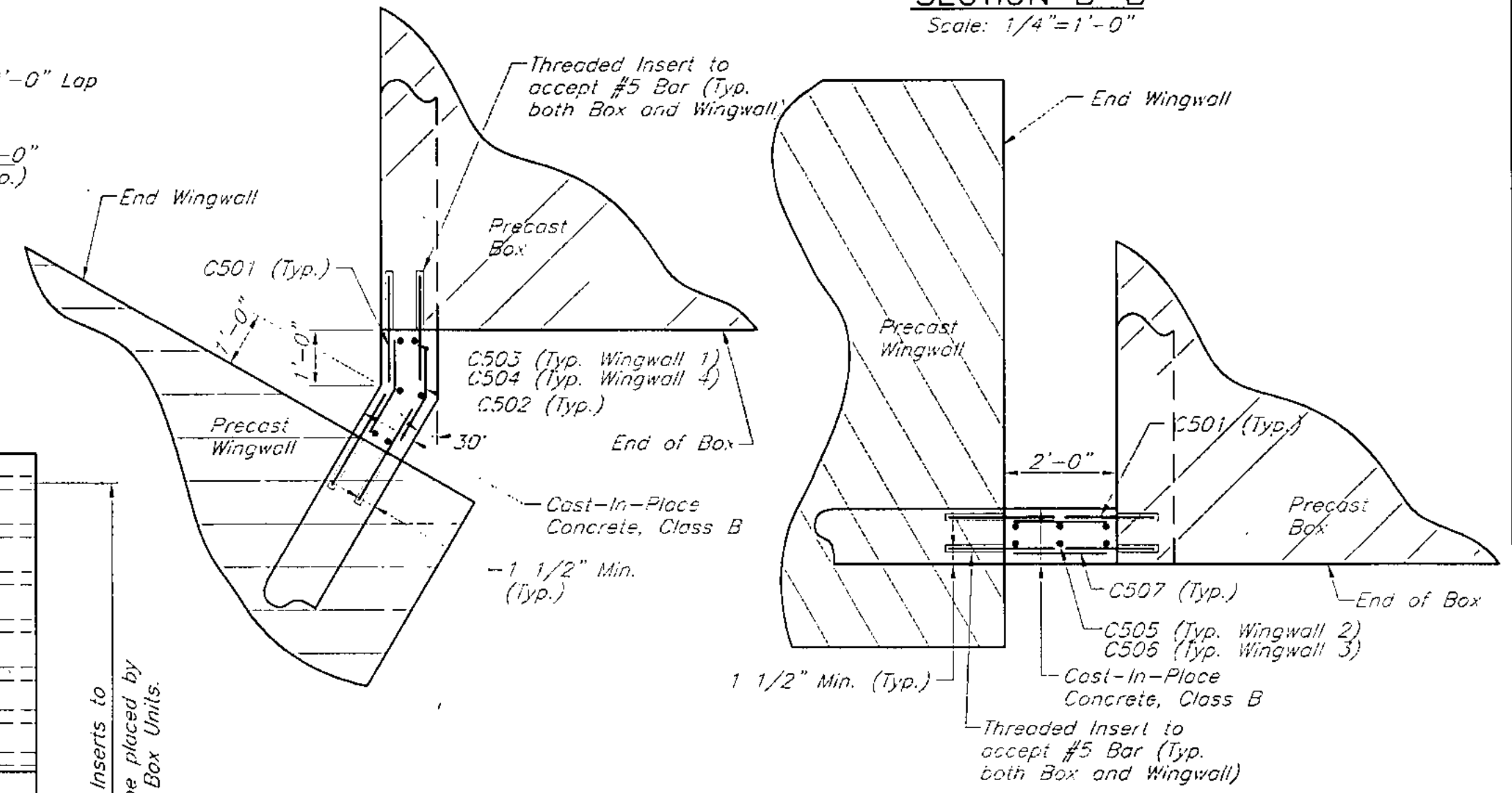
SECTION B-B
Scale: 1/4"=1'-0"

- NOTES:**
1. Unless otherwise designated, all Bar Reinforcement for concrete in sizes up to and including No. 18 shall conform to the requirements of the "Specifications For Deformed Billet-Steel Bars For Concrete Reinforcement", AASHTO M 31 (ASTM A 615-S1). All Bars shall be Grade 60, unless otherwise designated.
 2. For typical bending details, recommended Pin Diameter "D" of bends and hooks, and other standard practice, see current Concrete Reinforcing Steel Institute "Manual of Standard Practice".
 3. Δ Denotes Bars to be Cut in Field.
 4. * Denotes 3" has been added to bar lengths for embedment into Threaded Inserts. If other than 3" embedment is needed, Contractor shall adjust bar lengths.

ASTM STANDARD REINFORCING BARS				
BAR SIZE DESIGNATION	WEIGHT PER FOOT	NOMINAL DIAMETER INCHES	CROSS SECTIONAL AREA SQ. INCHES	PERIMETER INCHES
#3	.376	.375	.11	1.178
#4	.668	.500	.20	1.571
#5	1.043	.625	.31	1.963
#6	1.502	.750	.44	2.356
#7	2.044	.875	.60	2.749
#8	2.670	1.000	.79	3.142
#9	3.400	1.128	1.00	3.544
#10	4.303	1.270	1.27	3.990
#11	5.313	1.410	1.56	4.430
#14	7.65	1.693	2.25	5.32
#18	13.60	2.257	4.00	7.09



TYPICAL END BOX UNIT REINFORCING PATTERN
Not To Scale



CAST-IN-PLACE CORNER DETAILS
Not To Scale

NO. PIECES	SIZE	LENGTH	MARK	TYPE	B	C	D	H	J	K	R
WINGWALL #1 CORNER											
*92	5	1-2	C501	STR							
46	5	1-10	C502	STR	0-11	0-11	0	0-5.5	0	0-9.5	0
6	5	18-6	C503	STR							
WINGWALL #2 CORNER											
*72	5	1-2	C501	STR							
6	5	14-6	C505	STR							
36	5	1-10	C507	STR							
WINGWALL #3 CORNER											
*72	5	1-2	C501	STR							
6	5	12-10	C506	STR							
36	5	1-10	C507	STR							
WINGWALL #4 CORNER											
*92	5	1-2	C501	STR							
46	5	1-10	C502	STR	0-11	0-11	0	0-5.5	0	0-9.5	0
6	5	16-10	C504	STR							

ERDMAN ANTHONY
CONSULTING ENGINEERS
Rochester, New York Comp Hill, Pennsylvania
Boston, Massachusetts

STATE OF VERMONT AGENCY OF TRANSPORTATION			
Town Of	SHELBURNE	Bridge No.	N/A
Highway No.	U.S. ROUTE 7	Loa Sta.	N/A
		Surv. Sta.	141+61.31
U.S. ROUTE 7 OVER MUNROE BROOK CULVERT EARTHWORK LIMITS & DETAILS			
Designed By	L.Janik	Drawn By	S.Senaffer
Checked By	J.Corriss	Bridge Design Supervisor	W.Windus
Date	April 2003	Date	April 2003
PROJECT	SHELBURNE	PROJECT NO.	NHEGC FECC 019-4(27)
I.G.C. Info.			
Bridge Sheet No.	BC105	Sheet	443 of 537