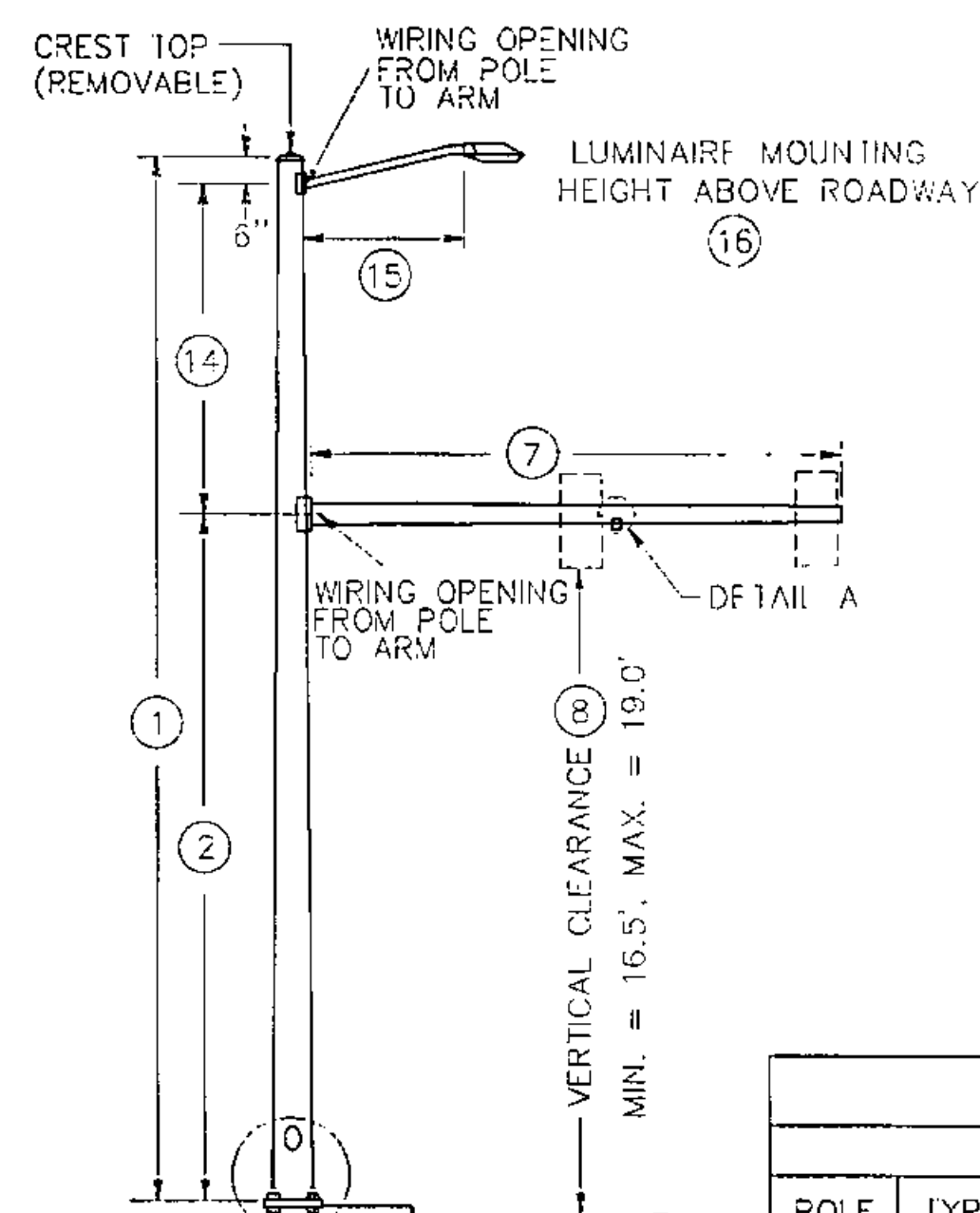
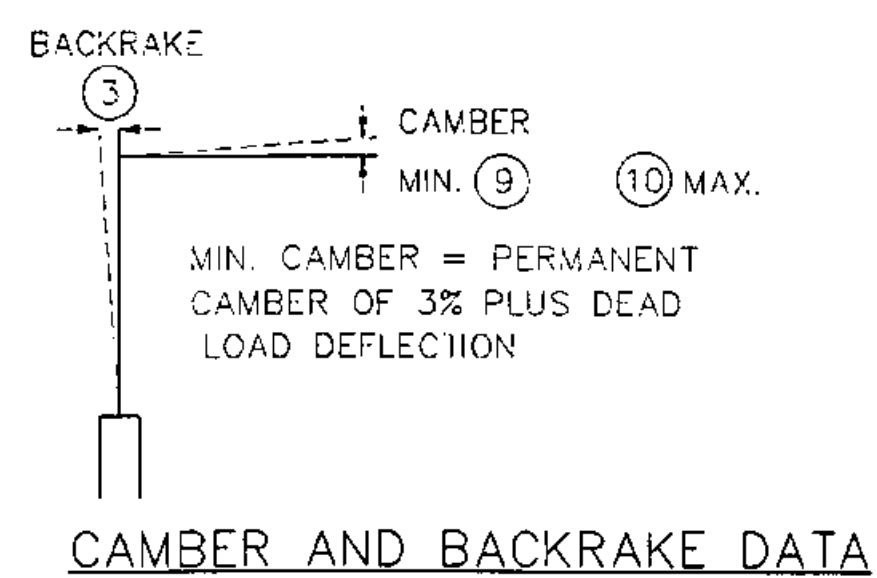


TYPE A

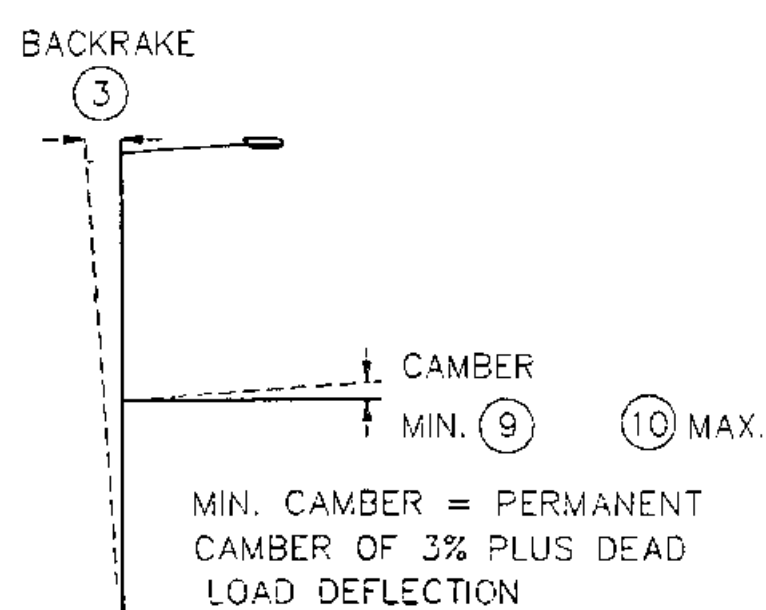


TYPE B

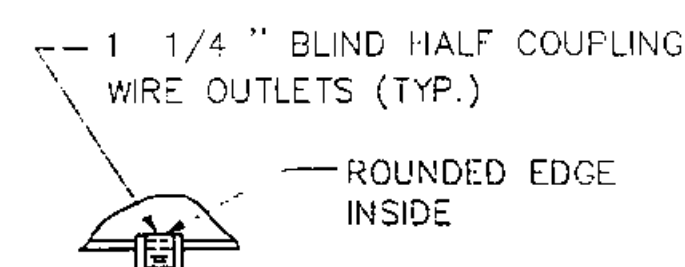


CAMBER AND BACKRAKE DATA

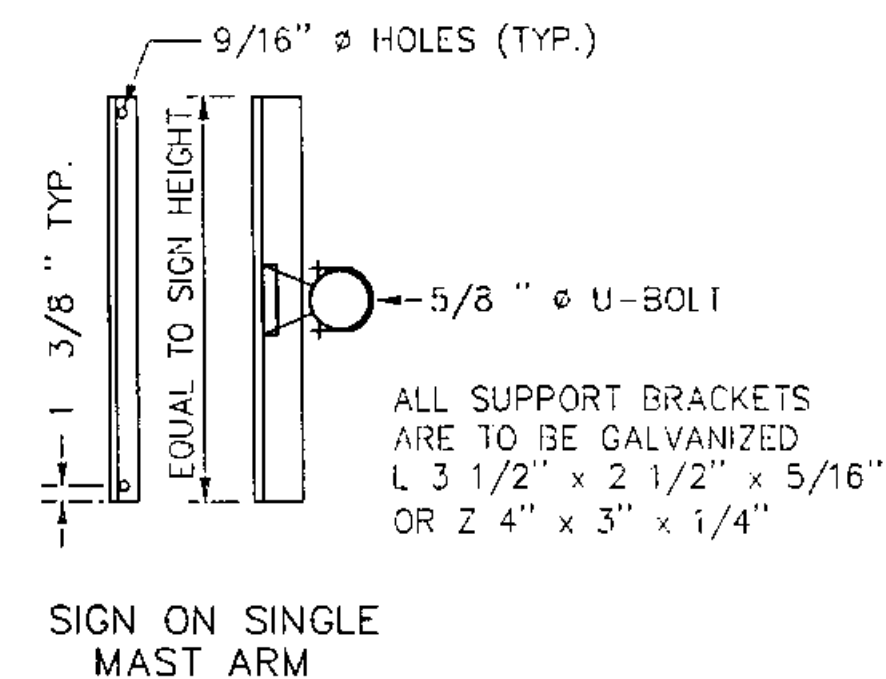
- POLE BASE DIAMETER (4)
- POLE GAUGE (5)
- POLE TAPER RATE (6)
- ARM DIAMETER (11)
- ARM GAUGE (12)
- ARM TAPER RATE (13)



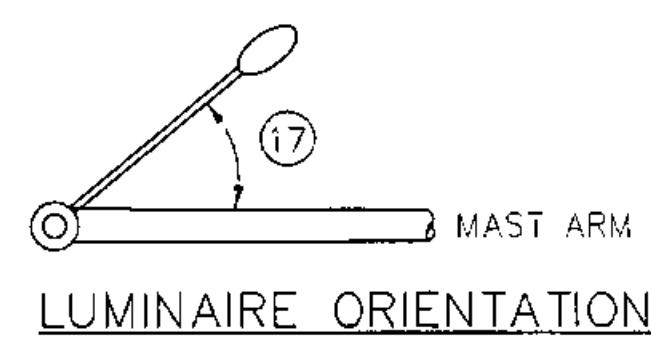
CAMBER AND BACKRAKE DATA



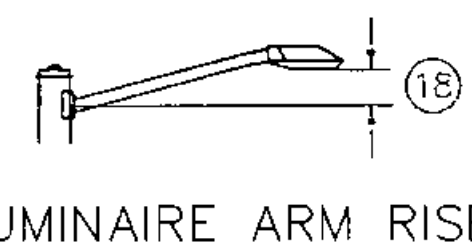
DETAIL A



SIGN BRACKET DETAILS

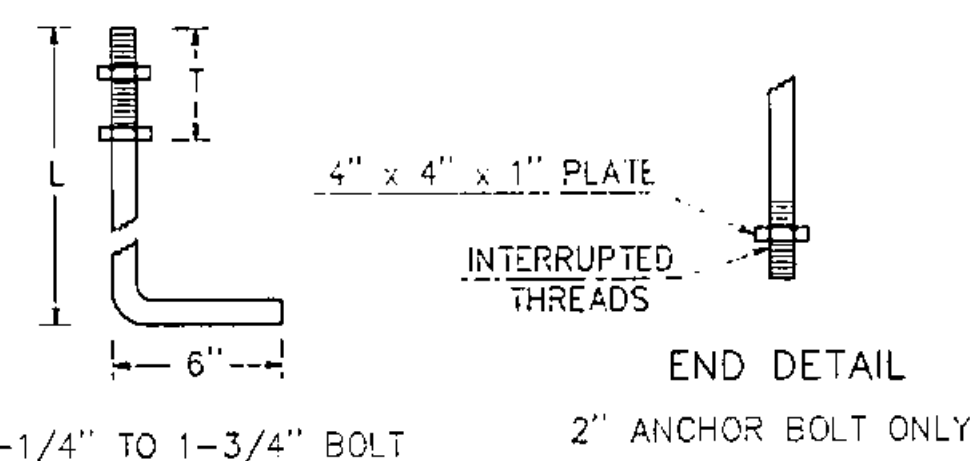


LUMINAIRE ORIENTATION

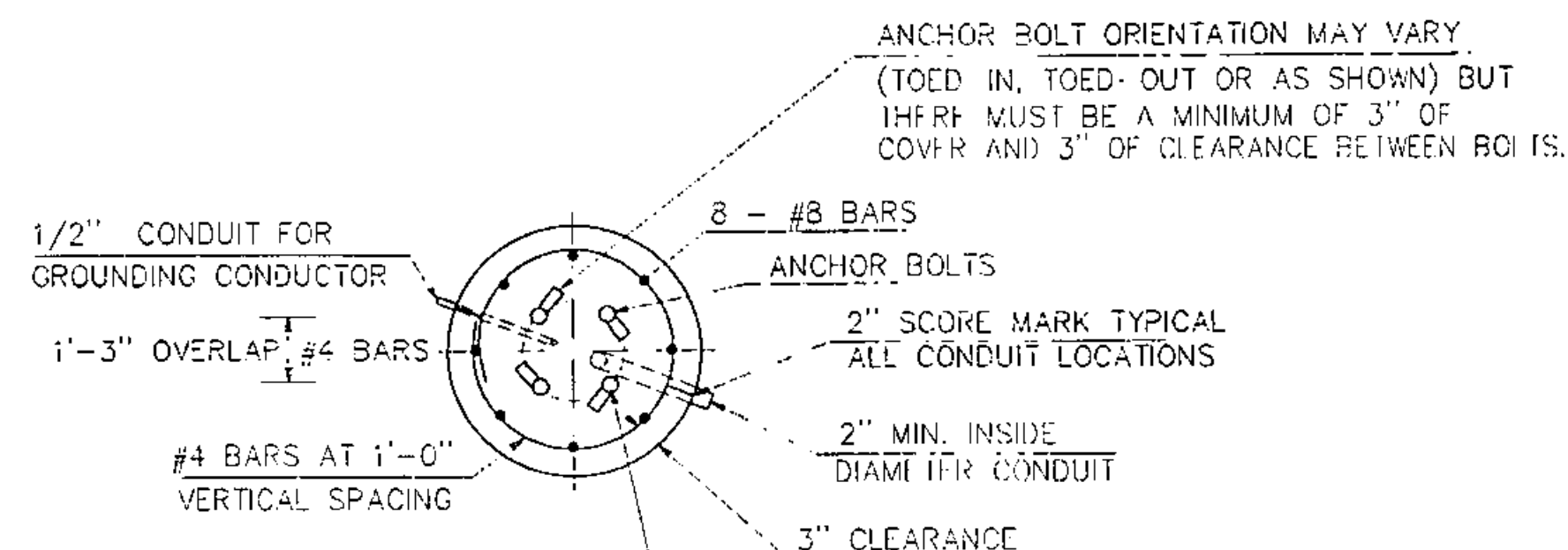


LUMINAIRE ARM RISE

ANCHOR BOLT DETAIL	SIZE	L (IN)	T (IN)
	1-1/4" x 48"	42	8
	1-1/2" x 60"	54	9
	1-3/4" x 90"	84	9
	2" x 96"	96	9



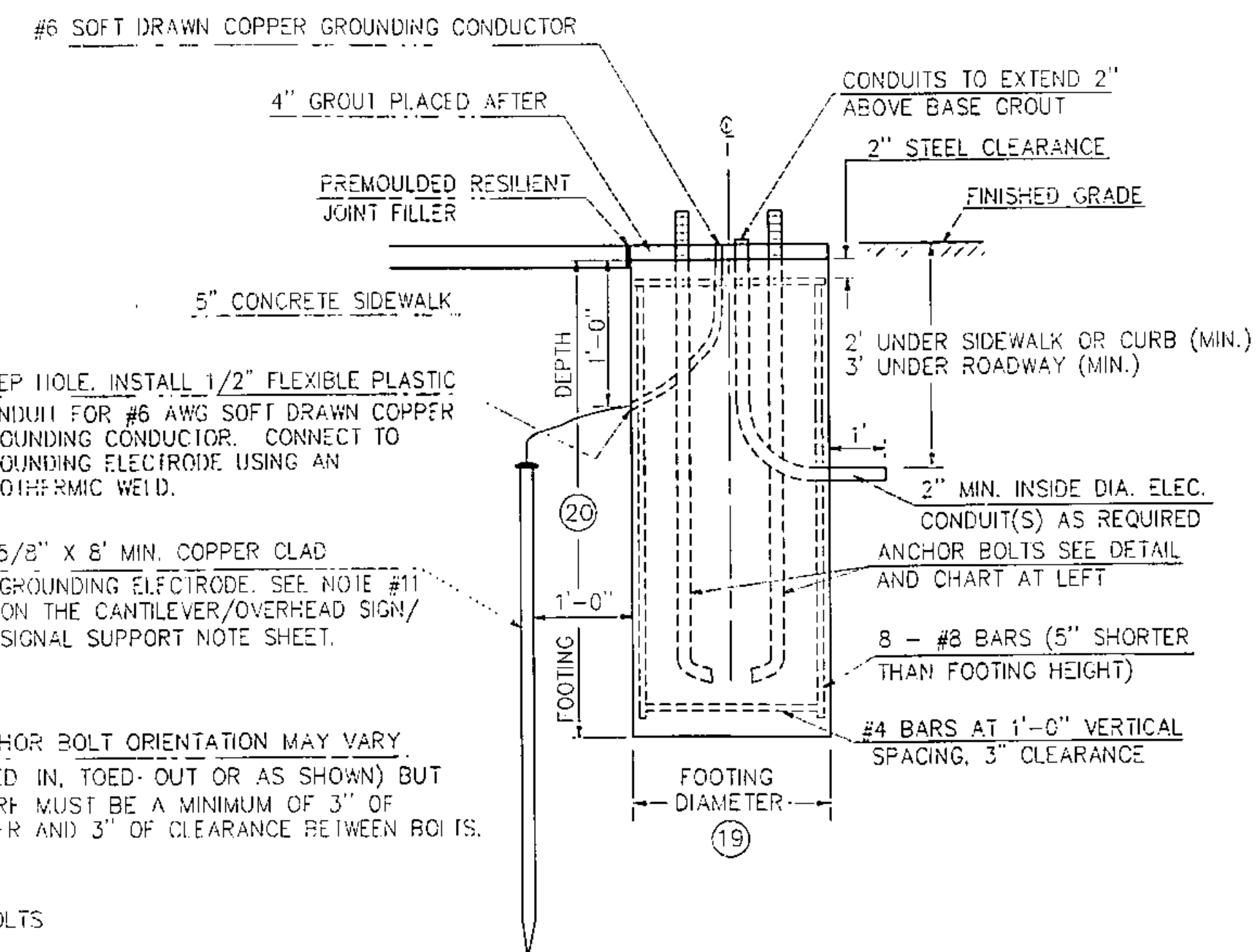
ANCHOR BOLT DETAIL



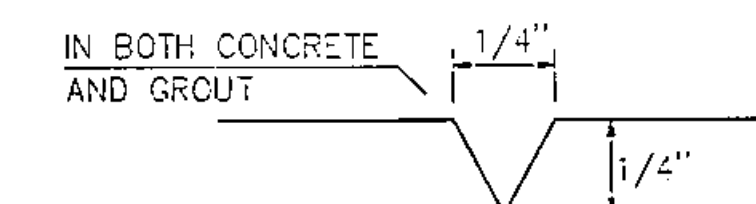
SECTION

CANTILEVER FOOTING DETAIL
(SPREAD FOOTINGS OR PILES ARE OPTIONAL)

SEE CANTILEVER / OVERHEAD SIGN / SIGNAL SUPPORTS
NOTE SHEET FOR ADDITIONAL INFORMATION



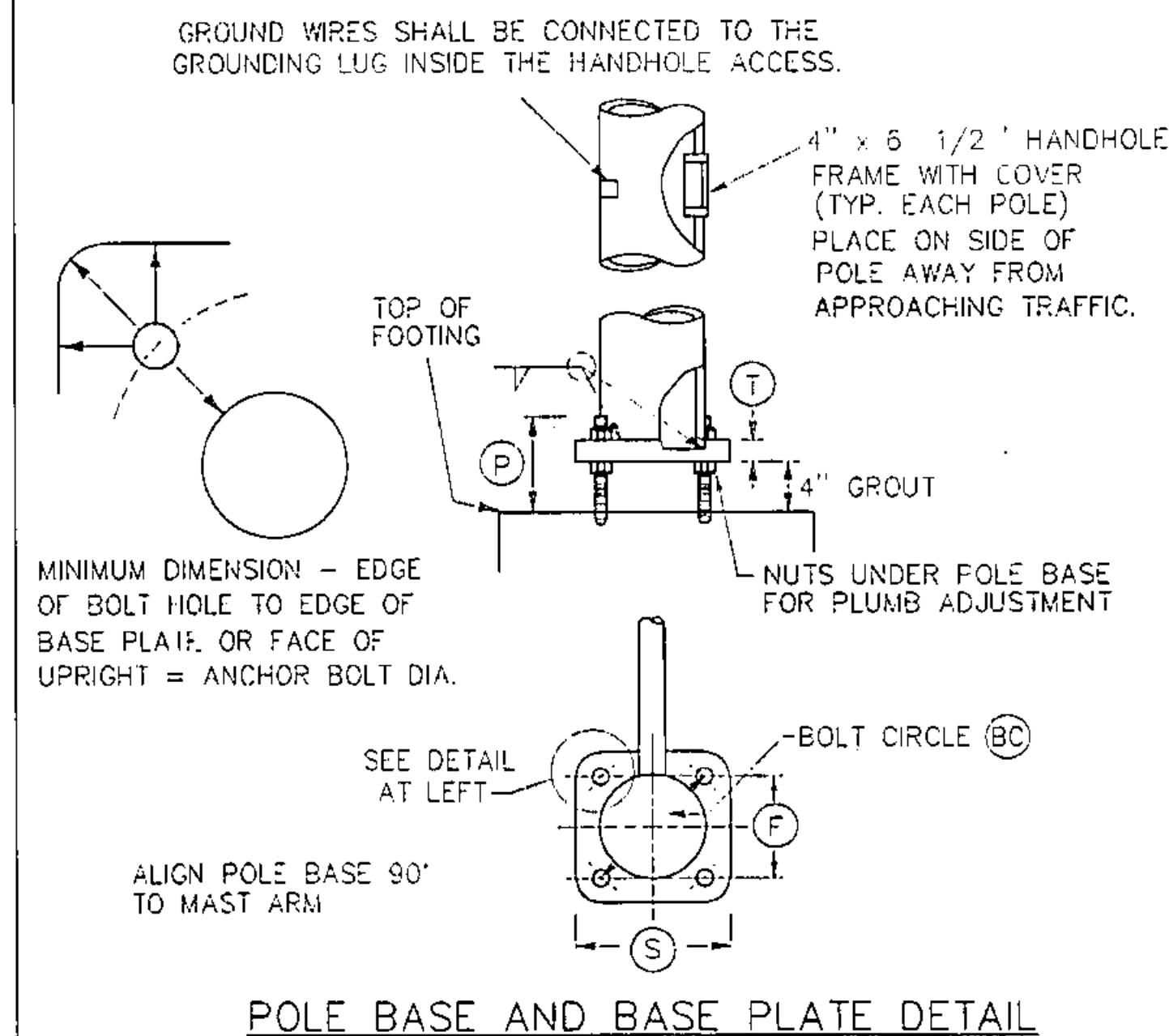
ELEVATION



USED FOR CONDUIT LOCATION, SEE SECTION
DETAIL AT LEFT

2" SCORE MARK DETAIL

POLE	TYPE	POLE DATA						ARM DATA						LIGHTING DATA			FOOTING DATA		BASE PLATE / BOLT DATA										
		1	2	3	4	5	6	7	8	9	10	11	12	13	14	15	16	17	18	19	20	BC	F	S	T	P	ANCHOR BOLT SIZE		
18	B	33'	18.5'					28'	16.5'						14'	8'	35'	0'	39"										
19	B	33'	18.5'					49'	16.5'						14'	12'	35'	0'	39"										
21	B	33'	18.5'					23'	16.5'						14'	12'	35'	0'	39"										
22	B	33'	18.5'					29'	16.5'						14'	12'	35'	0'	39"										
23	B	33'	18.5'					49'	16.5'						14'	12'	35'	0'	39"										



POLE BASE AND BASE PLATE DETAIL

SINGLE MAST ARM CANTILEVER / FOOTING DETAIL SHEET

DATUM
VERTICAL NGVD 1929
HORIZONTAL NAD 1927

SHELburne
SURVEYED BY V.S.C. INC. DATE _____
DRAWN BY E.A.A. INC. DATE _____
TRACED BY E.A.A. INC. DATE _____

PROJECT NH-EGC-019-4(27)
SIGNAL DRAWING NO. 20

4/13/04

SHEET NO. 238 OF 537