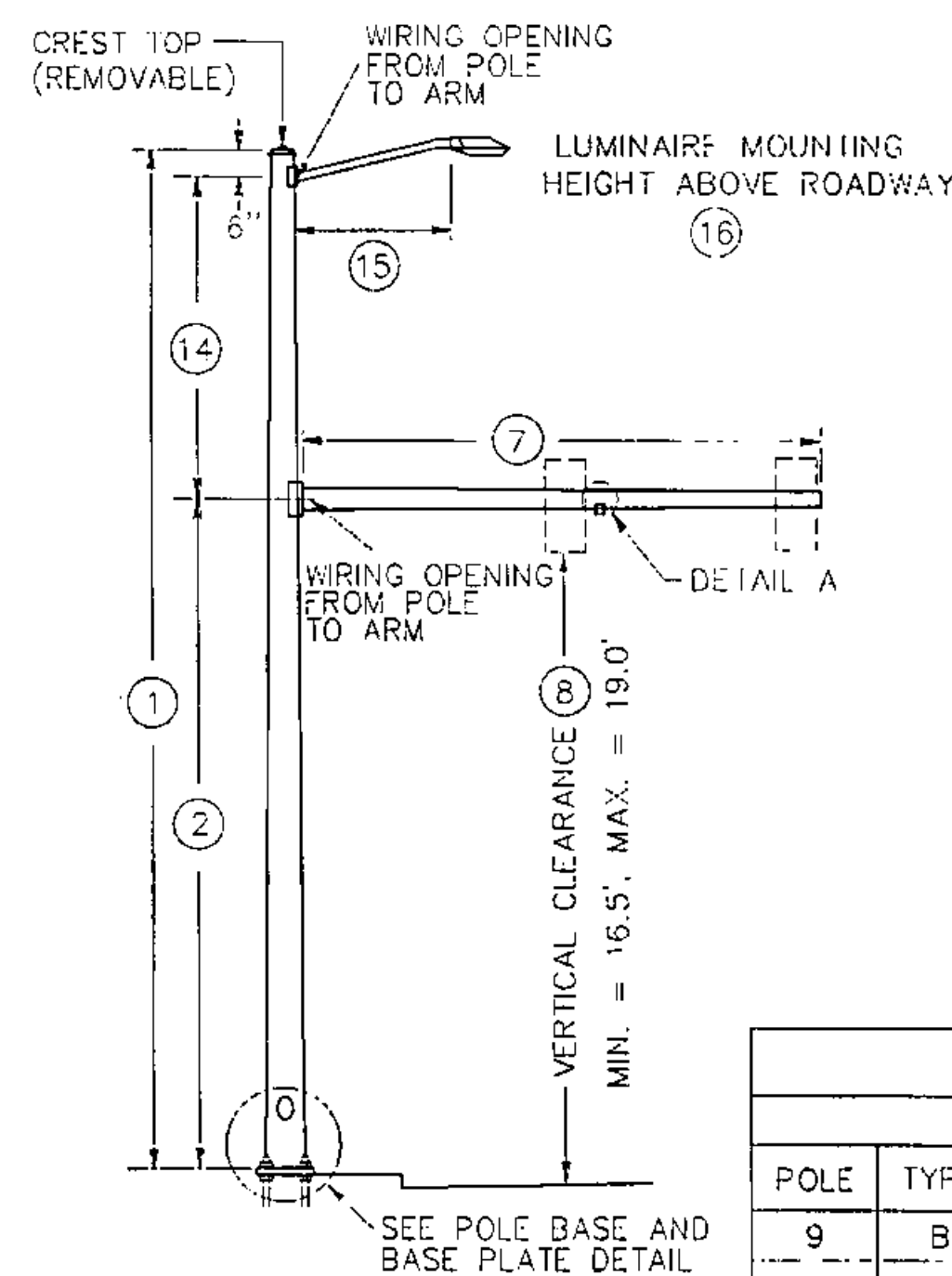
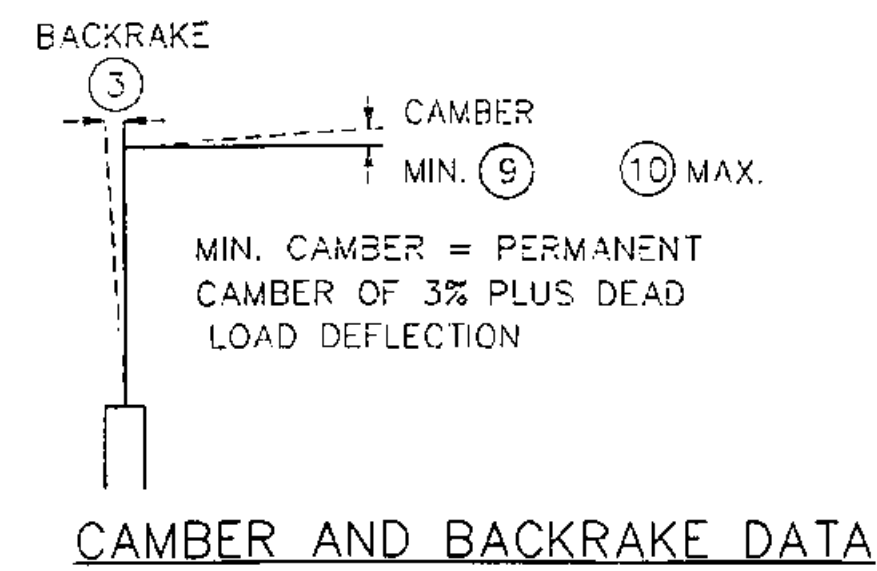


TYPE A

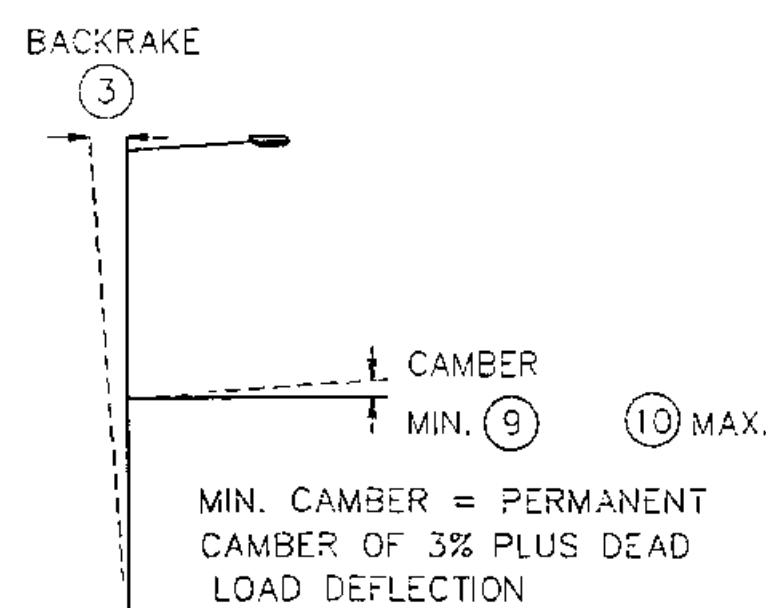


TYPE B

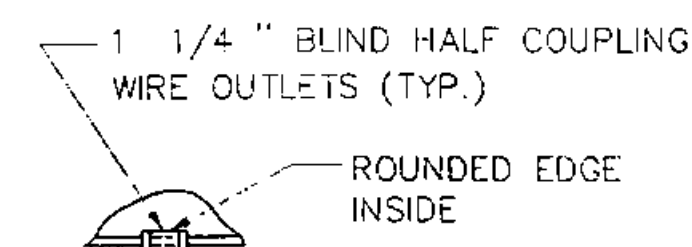


CAMBER AND BACKRAKE DATA

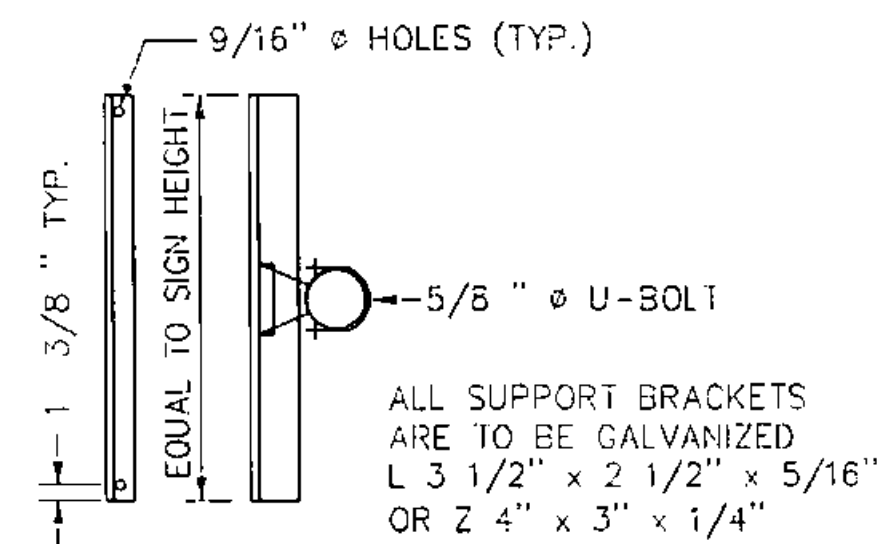
- POLE BASE DIAMETER (4)
- POLE GAUGE (5)
- POLE TAPER RATE (6)
- ARM DIAMETER (11)
- ARM GAUGE (12)
- ARM TAPER RATE (13)



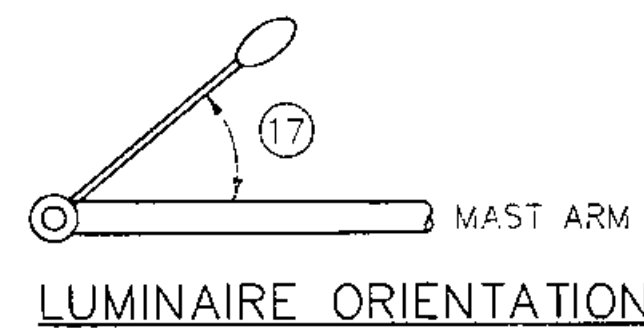
CAMBER AND BACKRAKE DATA



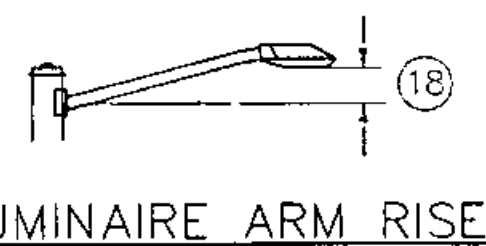
DETAIL A



SIGN BRACKET DETAILS

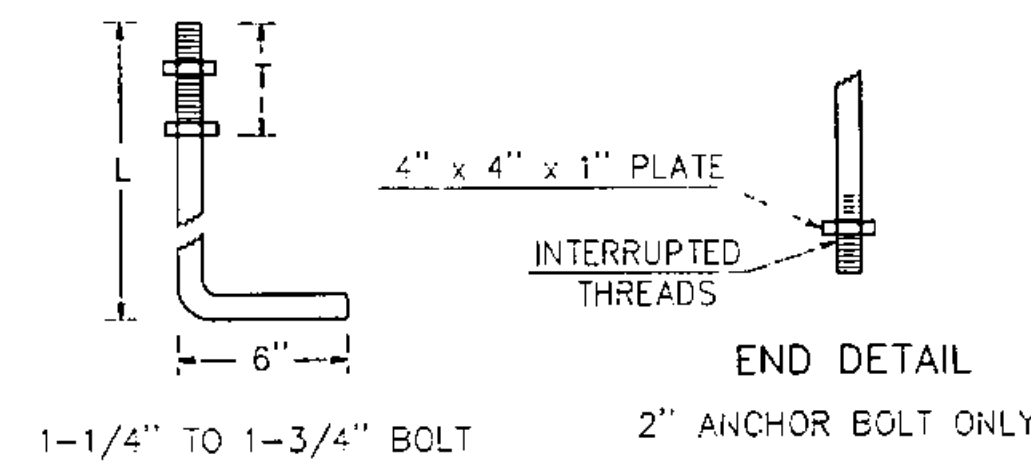


LUMINAIRE ORIENTATION

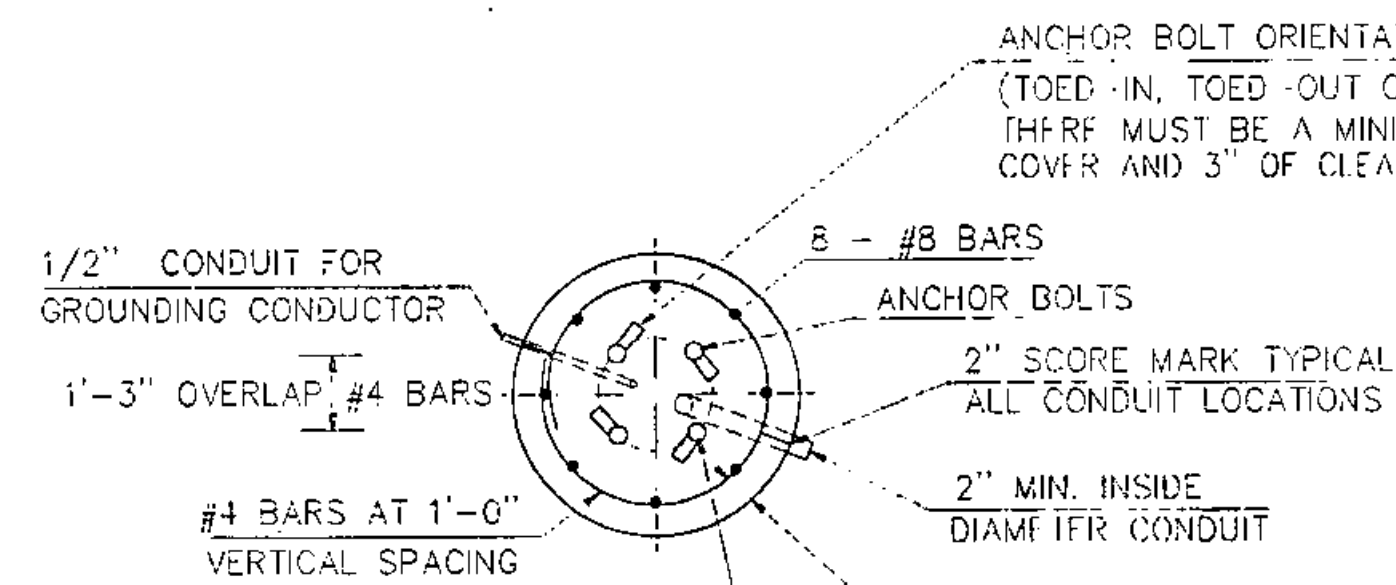


LUMINAIRE ARM RISE

ANCHOR BOLT DETAIL	SIZE	L(IN)	T(IN)
	1-1/4" x 48"	42	8
	1-1/2" x 60"	54	9
	1-3/4" x 90"	84	9
	2" x 96"	96	9



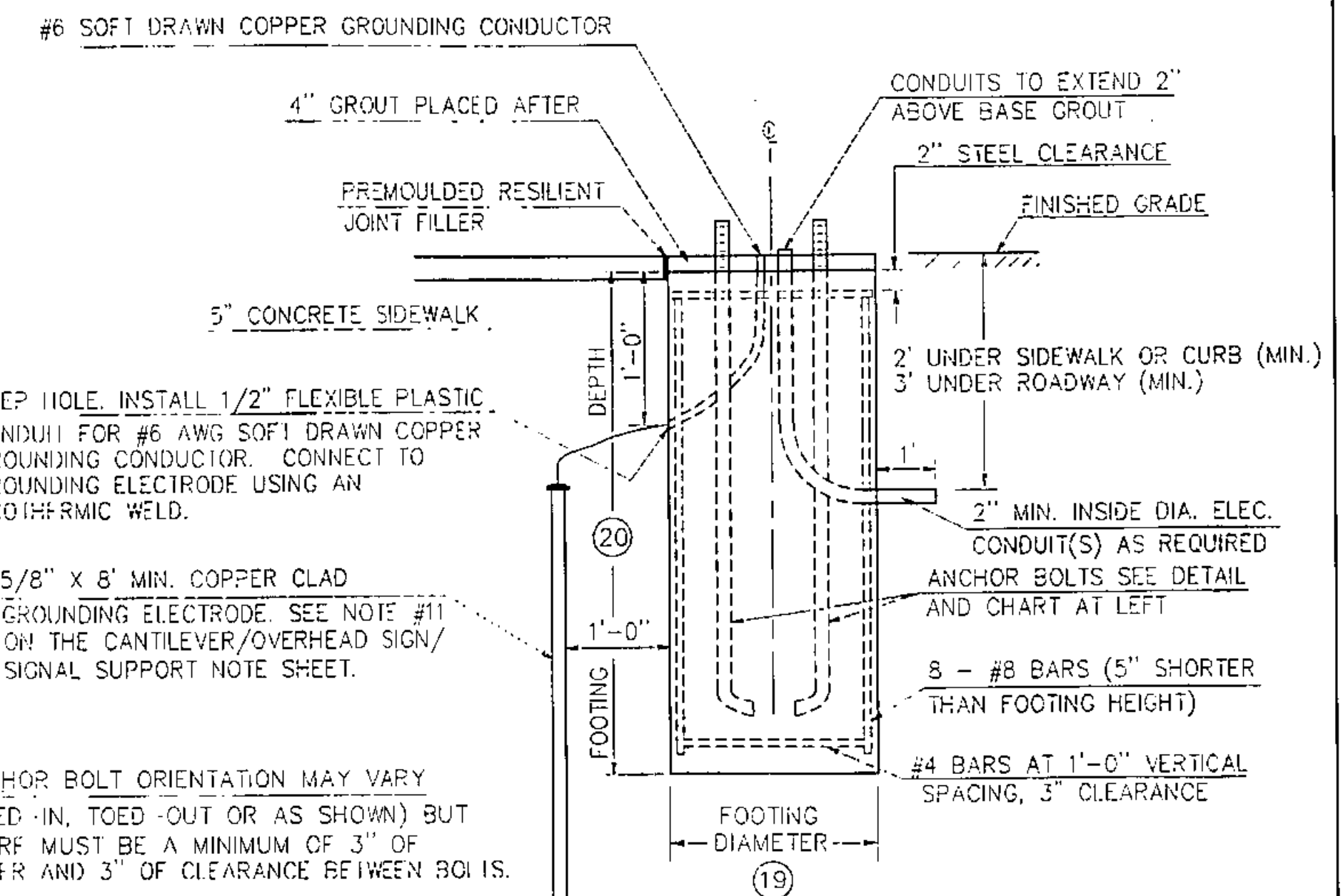
ANCHOR BOLT DETAIL



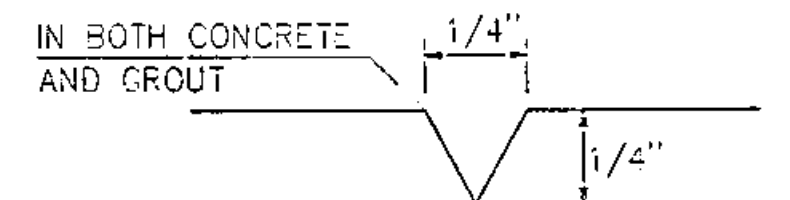
SECTION

CANTILEVER FOOTING DETAIL
(SPREAD FOOTINGS OR PILES ARE OPTIONAL)

SEE CANTILEVER / OVERHEAD SIGN / SIGNAL SUPPORTS
NOTE SHEET FOR ADDITIONAL INFORMATION



ELEVATION



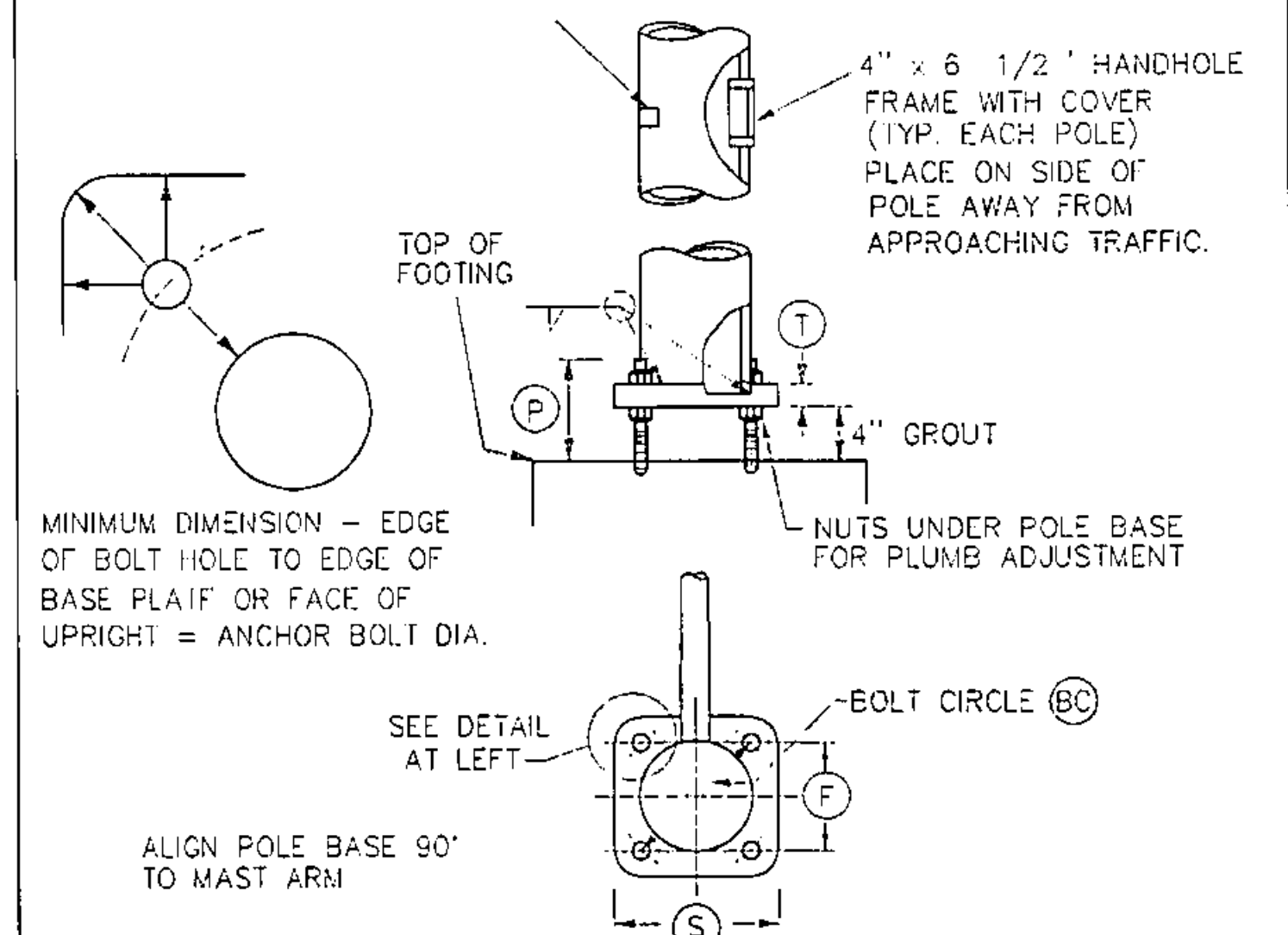
USED FOR CONDUIT LOCATION, SEE SECTION DETAIL AT LEFT

2" SCORE MARK DETAIL

STRUCTURE DIMENSIONS

POLE	TYPE	POLE DATA					ARM DATA						LIGHTING DATA			FOOTING DATA		BASE PLATE / BOLT DATA									
		(1)	(2)	(3)	(4)	(5)	(7)	(8)	(9)	(10)	(11)	(12)	(13)	(14)	(15)	(16)	(17)	(18)	(19)	(20)	(BC)	(F)	(S)	(T)	(P)	ANCHOR BOLT SIZE	
9	B	33'	18.5'				49'	16.5'					14'	12'	35'	0'	39"										
10	A	20'	18.5'				26'	16.5'					14'	12'	35'	45'	39"										
11	B	33'	18.5'				17'	16.5'					14'	12'	35'	0'	39"										
12	B	33'	18.5'				49'	16.5'					14'	12'	35'	0'	39"										
13	B	33'	18.5'				49'	16.5'					14'	12'	35'	0'	39"										
14	A	20'	18.5'				28'	16.5'																			
16	A	20'	18.5'				49'	16.5'																			
17	A	20'	18.5'				39'	16.5'																			

GROUND WIRES SHALL BE CONNECTED TO THE GROUNDING LUG INSIDE THE HANDHOLE ACCESS.



POLE BASE AND BASE PLATE DETAIL

SINGLE MAST ARM CANTILEVER / FOOTING DETAIL SHEET

DATUM
VERTICAL NGVD 1929
HORIZONTAL NAD 1927

SHELburne
SURVEYED BY V.S.C. INC. DATE _____
DRAWN BY E.A.A. INC. DATE _____
TRACED BY E.A.A. INC. DATE _____

PROJECT NH-EGC-019-4(27)
SIGNAL DRAWING NO. 19
SHEET NO. 237 OF 537

4/13/04