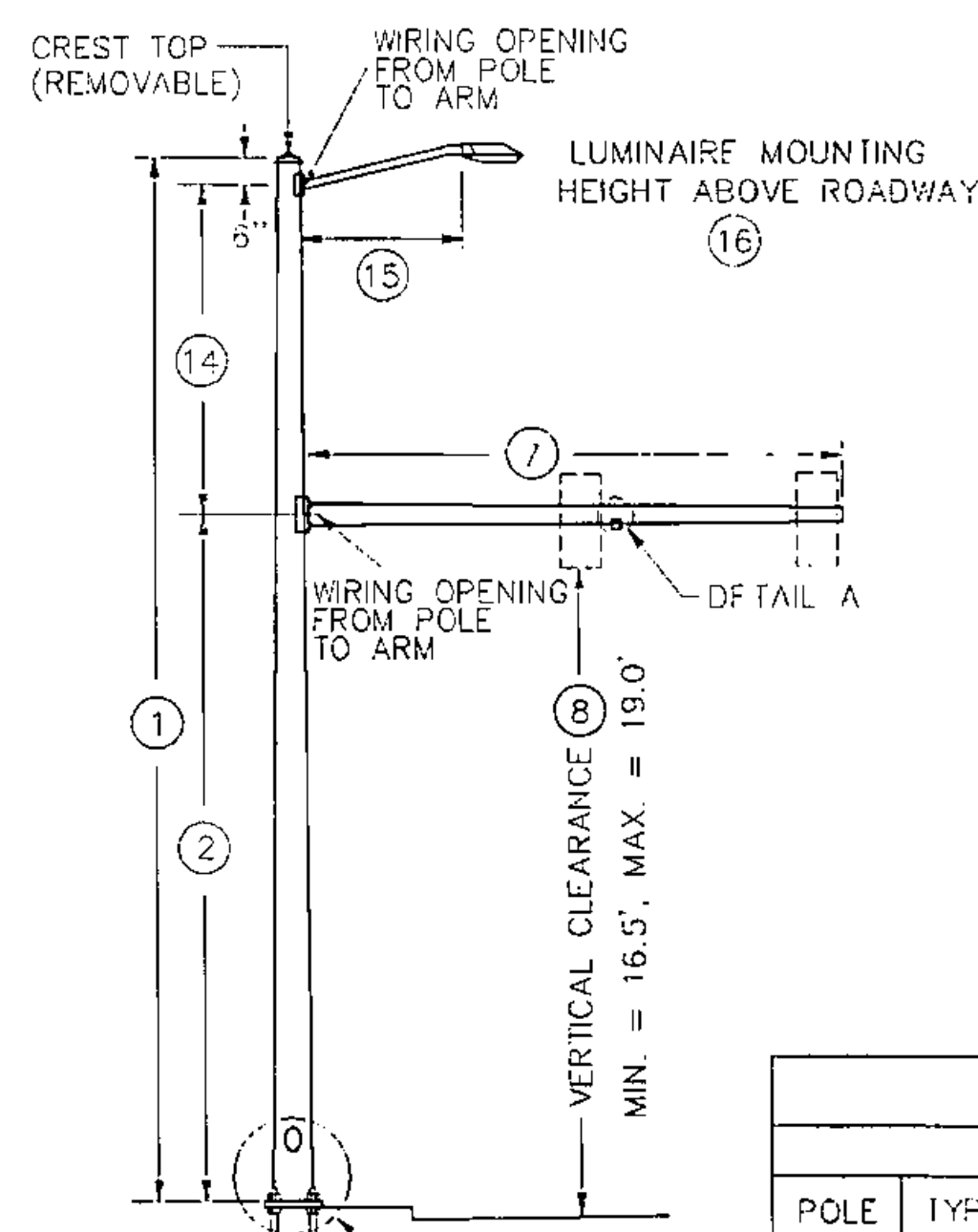
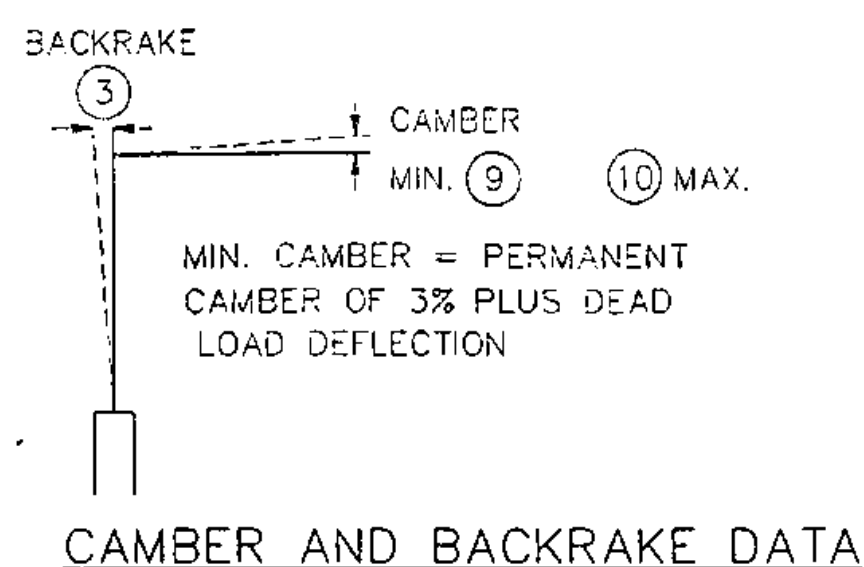


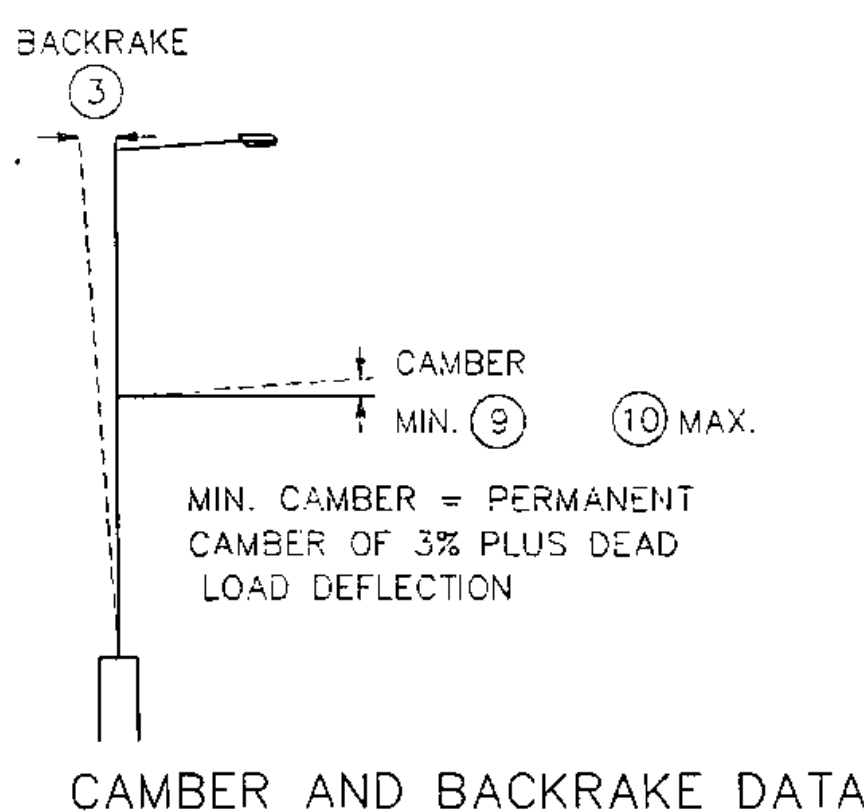
TYPE A



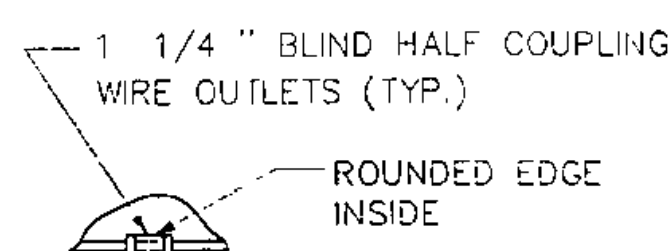
TYPE B



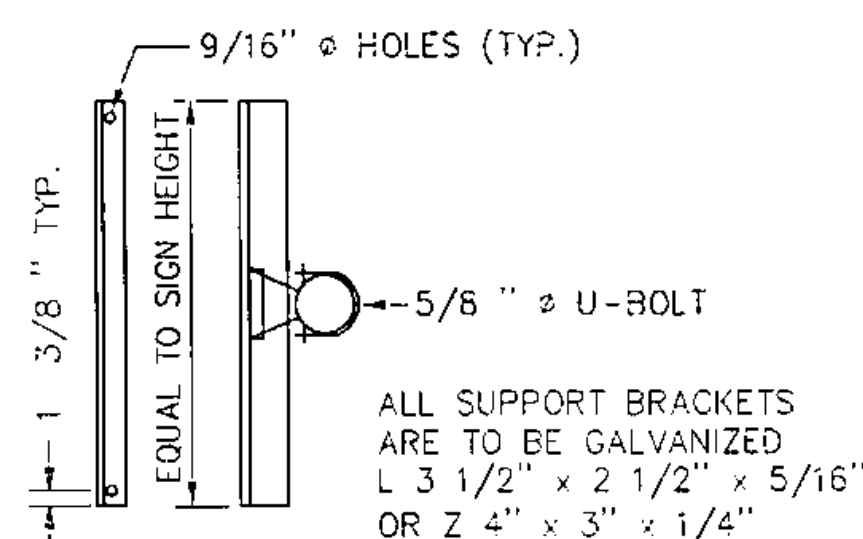
- POLE BASE DIAMETER (4)
- POLE GAUGE (5)
- POLE TAPER RATE (6)
- ARM DIAMETER (11)
- ARM GAUGE (12)
- ARM TAPER RATE (13)



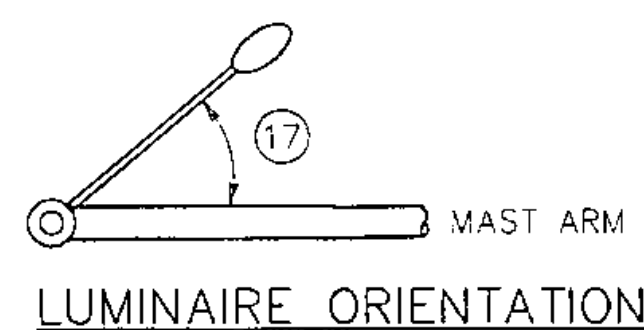
CAMBER AND BACKRAKE DATA



DETAIL A

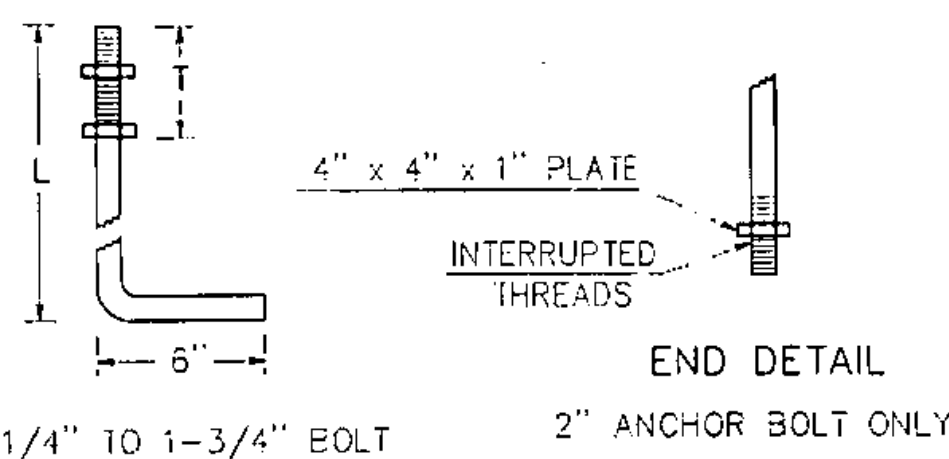


SIGN BRACKET DETAILS

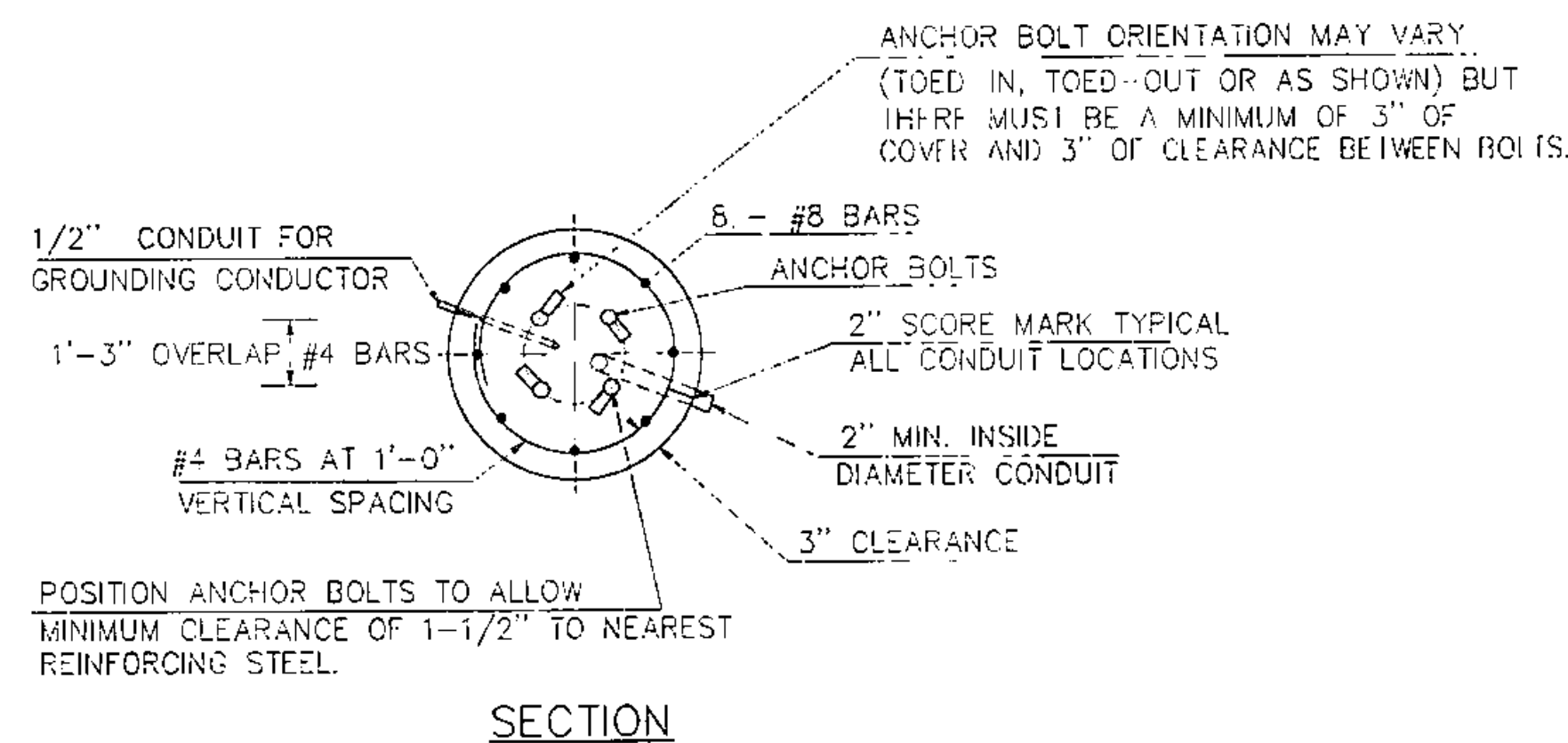


LUMINAIRE ARM RISE

SIZE	L (IN)	T (IN)
1-1/4" x 48"	42	8
1-1/2" x 60"	54	9
1-3/4" x 90"	84	9
2" x 96"	96	9



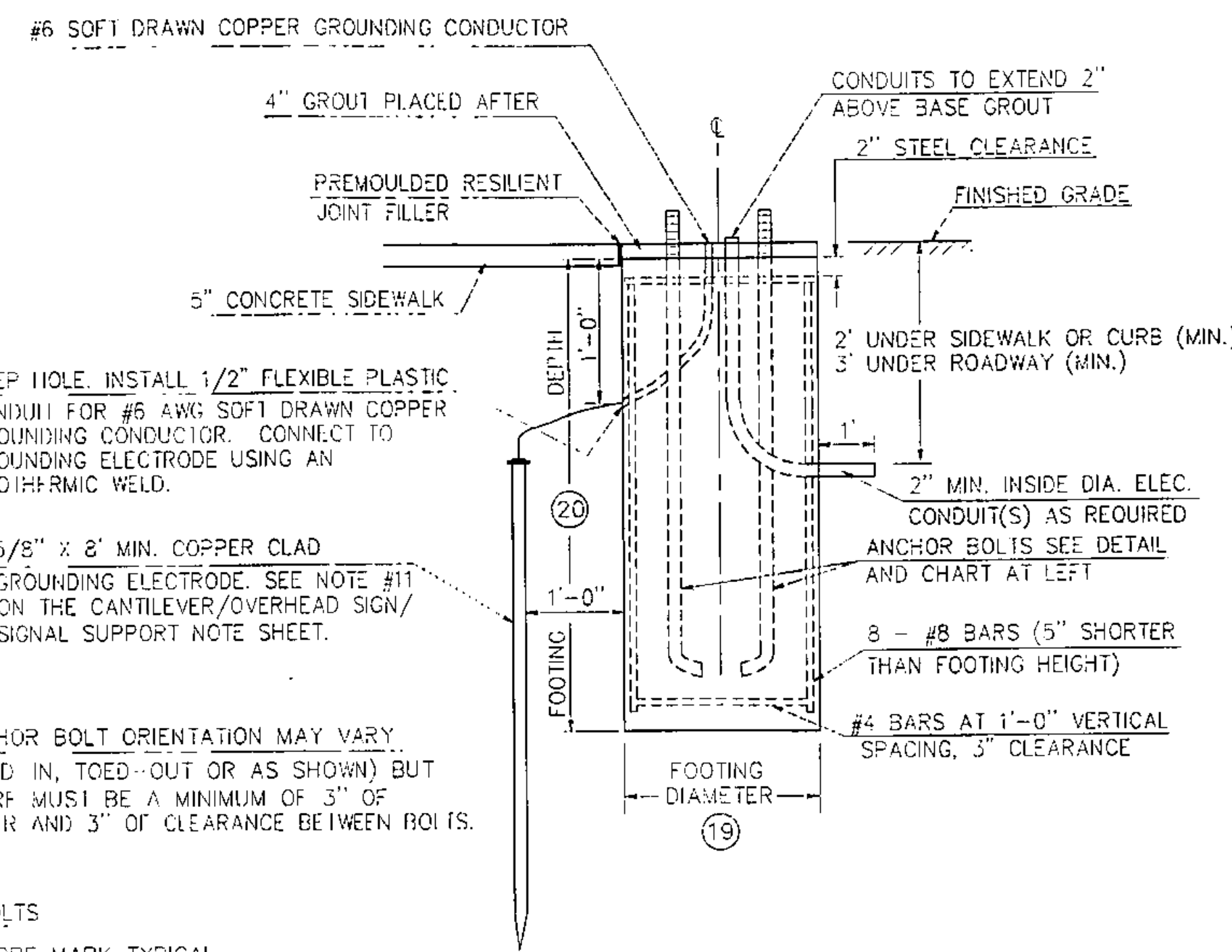
ANCHOR BOLT DETAIL



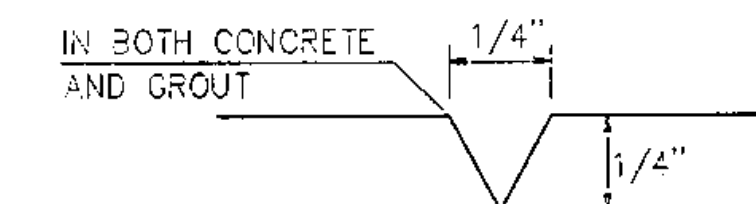
SECTION

CANTILEVER FOOTING DETAIL (SPREAD FOOTINGS OR PILES ARE OPTIONAL)

SEE CANTILEVER / OVERHEAD SIGN / SIGNAL SUPPORTS NOTE SHEET FOR ADDITIONAL INFORMATION



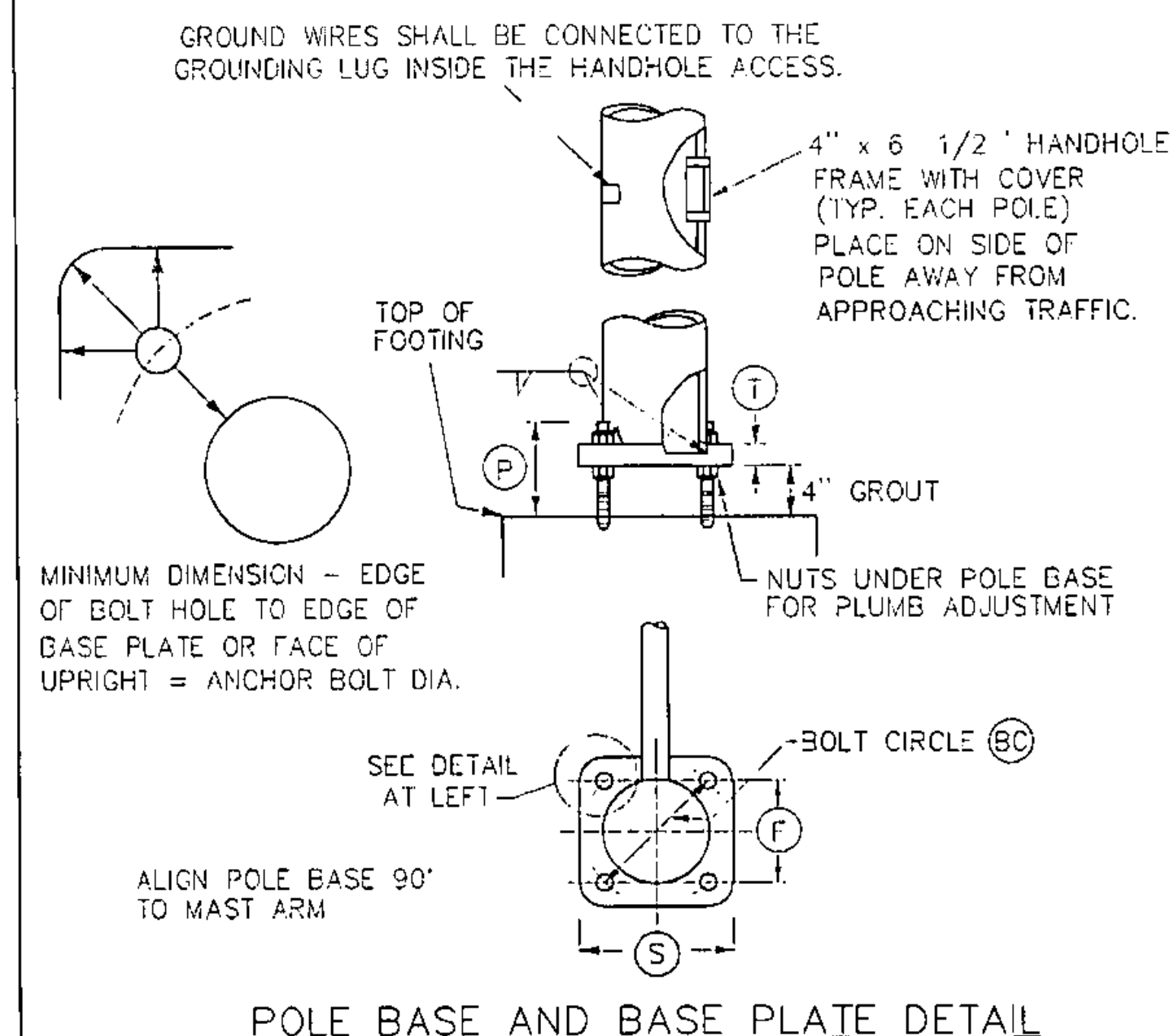
ELEVATION



USED FOR CONDUIT LOCATION, SEE SECTION DETAIL AT LEFT

2" SCORE MARK DETAIL

POLE	I/TYPE	POLE DATA					ARM DATA						LIGHTING DATA			FOOTING DATA		BASE PLATE / BOLT DATA						ANCHOR BOLT SIZE				
		(1)	(2)	(3)	(4)	(5)	(6)	(7)	(8)	(9)	(10)	(11)	(12)	(13)	(14)	(15)	(16)	(17)	(18)	(19)	(20)	(BC)	(F)		(S)	(T)	(P)	
1	B	33'	18.5'					24'	16.5'						14'	12'	35'	0'	39"									
2	B	33'	18.5'					35'	16.5'						14'	12'	35'	0'	39"									
3	B	33'	18.5'					24'	16.5'						14'	12'	35'	0'	39"									
4	B	33'	18.5'					24'	16.5'						14'	12'	35'	0'	39"									
5	B	33'	18.5'					49'	16.5'						14'	12'	35'	0'	39"									
6	B	33'	18.5'					35'	16.5'						14'	12'	35'	0'	39"									
7	B	33'	18.5'					35'	16.5'						14'	12'	35'	0'	39"									
8	B	33'	18.5'					49'	16.5'						14'	12'	35'	0'	39"									



POLE BASE AND BASE PLATE DETAIL

# SINGLE MAST ARM CANTILEVER / FOOTING DETAIL SHEET

DATUM  
VERTICAL NGVD 1929  
HORIZONTAL NAD 1927

4/13/04

SHELburne  
SURVEYED BY V.S.C. INC. DATE \_\_\_\_\_  
DRAWN BY E.A.A. INC. DATE \_\_\_\_\_  
TRACED BY E.A.A. INC. DATE \_\_\_\_\_  
PROJECT NH-EGC-019-4(27)  
SIGNAL DRAWING NO. 18  
SHEET NO. 236 OF 537