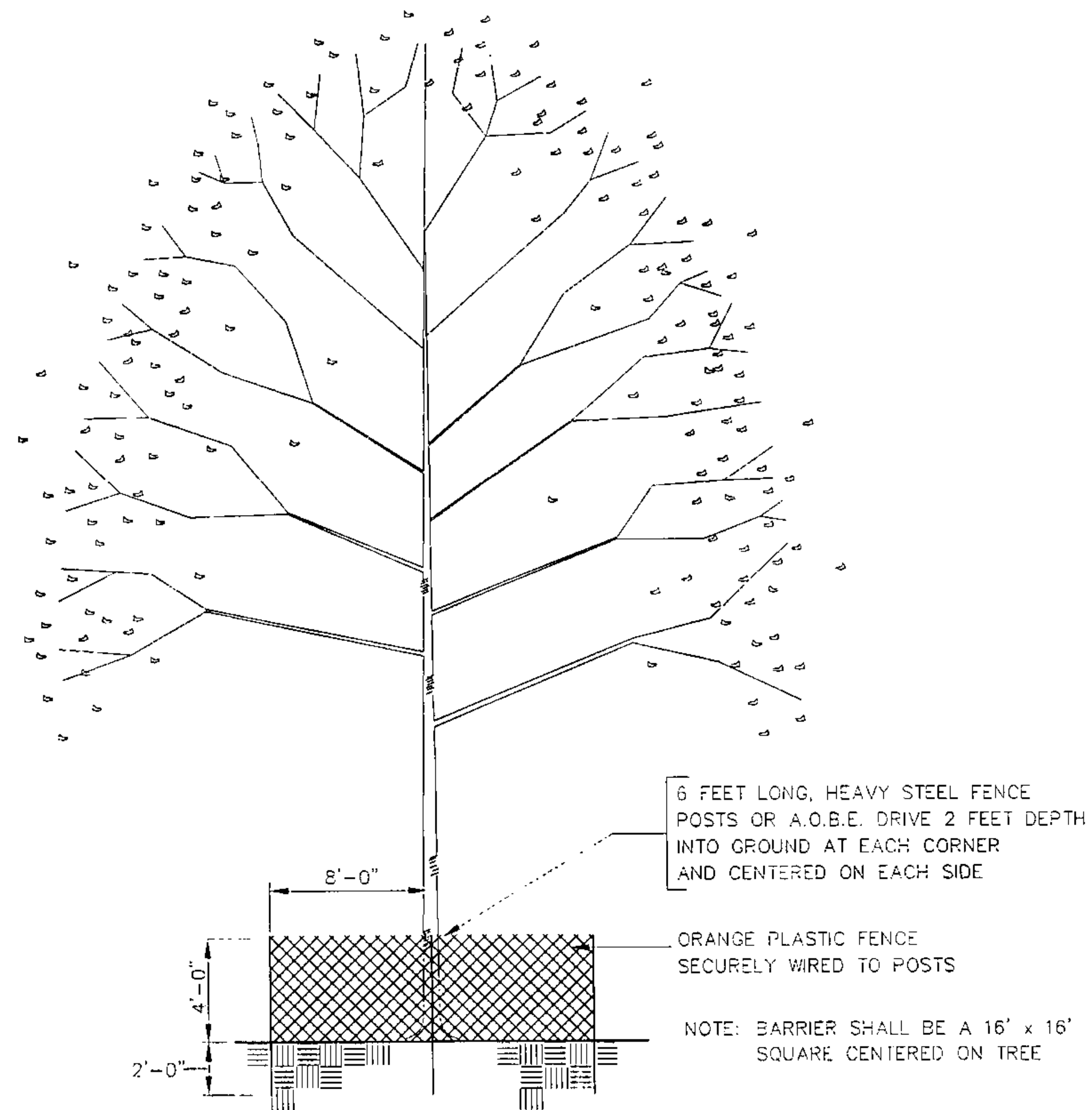
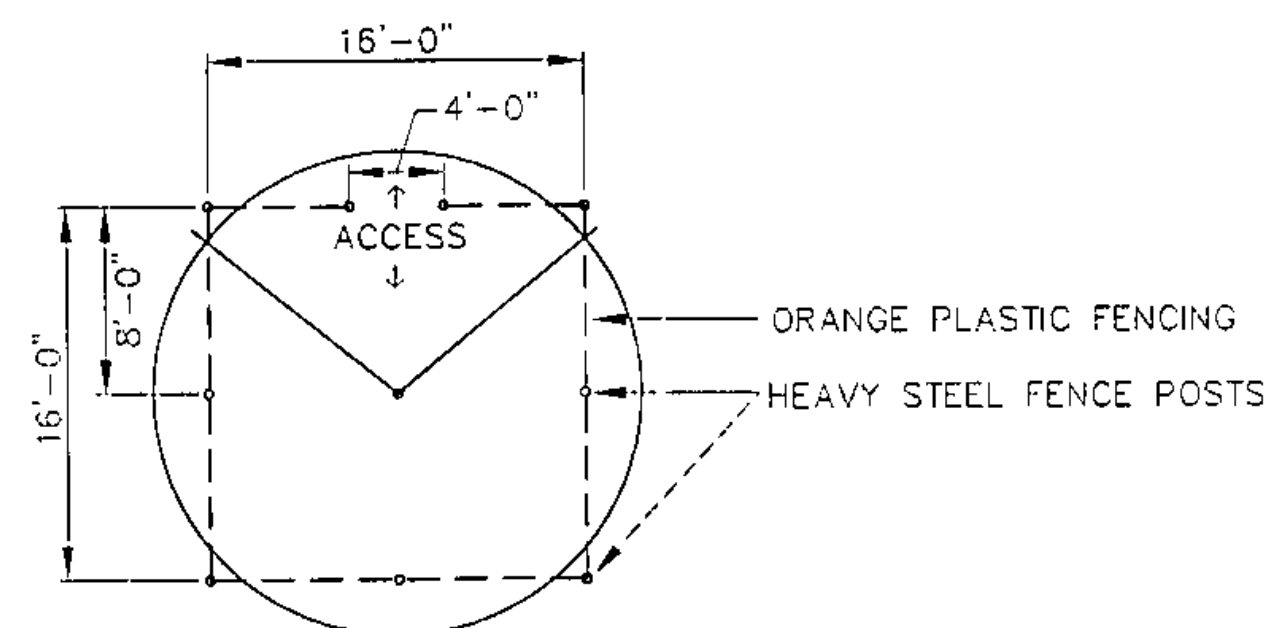


TREE PROTECTION BARRIER DETAILS



ELEVATION



PLAN

TREE PROTECTION BARRIER DETAILS

N.T.S.

| TREE PROTECTION BARRIER TABLE | | | |
|-------------------------------|------|------------|----------|
| STATION | SIDE | SPECIES | LENGTH |
| 262+57 | LT | CEDAR | 60 |
| 262+59 | LT | CEDAR | 60 |
| 262+62 | LT | CEDAR | 60 |
| 262+73 | LT | CEDAR | 60 |
| 266+91 | RT | ELM | 60 |
| 266+99 | RT | CEDAR | 60 |
| 267+00 | RT | ELM | 60 |
| 267+47 | RT | BUSH | 60 |
| 268+52 | RT | SPRUCE | 60 |
| 269+32 | RT | APPLE | 60 |
| 269+70 | RT | MAPLE | 60 |
| 270+30 | RT | LOCUST | 60 |
| 270+66 | RT | LOCUST | 60 |
| 271+26 | RT | LOCUST | 60 |
| 271+59 | RT | LOCUST | 60 |
| 272+04 | RT | MAPLE | 60 |
| 272+68 | RT | ASPEN | 60 |
| 278+25 | RT | EVERGREEN | 60 |
| 278+58 | RT | EVERGREEN | 60 |
| 280+29 | RT | PINE | 60 |
| 281+71 | LT | CEDAR | 60 |
| 282+08 | LT | CEDAR | 60 |
| 282+96 | LT | SPRUCE | 60 |
| 286+68 | LT | PINE | 60 |
| 287+44 | RT | APPLE | 60 |
| 288+41 | RT | APPLE | 60 |
| 288+68 | RT | APPLE | 60 |
| 290+76 | RT | APPLE | 60 |
| 294+45 | RT | APPLE | 60 |
| 294+75 | RT | APPLE | 60 |
| 296+05 | RT | SPRUCE | 60 |
| 298+47 | RT | MAPLE | 60 |
| 300+93 | LT | ASH | 60 |
| 301+51 | RT | APPLE | 60 |
| 301+73 | LT | BUSH | 60 |
| 301+86 | LT | SHRUB | 60 |
| 302+08 | RT | BIRCH | 60 |
| 302+44 | LT | ORNAMENTAL | 60 |
| 302+52 | RT | SPRUCE | 60 |
| 302+85 | LT | MAPLE | 60 |
| *91+19 | RT | MAPLE | 60 |
| *91+46 | RT | MAPLE | 60 |
| *91+71 | RT | MAPLE | 60 |
| 303+34 | LT | MAPLE | 60 |
| 303+91 | LT | CRABAPPLE | 60 |
| 304+40 | LT | MAPLE | 60 |
| 304+61 | LT | MAPLE | 60 |
| 305+73 | LT | MAPLE | 60 |
| 309+85 | RT | SPRUCE | 60 |
| 310+33 | RT | CEDAR | 60 |
| SUB-TOTAL | | | 3,000 FT |

| TREE PROTECTION BARRIER TABLE | | | |
|-------------------------------|------|-----------|----------|
| STATION | SIDE | SPECIES | LENGTH |
| 313+40 | LT | MAPLE | 60 |
| 313+62 | RT | ELM | 60 |
| 314+02 | RT | ELM | 60 |
| 315+64 | RT | POPLAR | 60 |
| 315+71 | RT | POPLAR | 60 |
| 317+51 | RT | WILLOW | 60 |
| 322+37 | RT | PINE | 60 |
| 322+76 | RT | MAPLE | 60 |
| 324+13 | LT | BOXELDER | 60 |
| 325+13 | LT | BOXELDER | 60 |
| 326+21 | LT | EVERGREEN | 60 |
| 326+72 | LT | EVERGREEN | 60 |
| 329+56 | LT | ASPEN | 60 |
| 331+84 | LT | MAPLE | 60 |
| 332+63 | LT | MAPLE | 60 |
| *170+99 | LT | MAPLE | 60 |
| 334+92 | RT | MAPLE | 60 |
| 335+28 | RT | MAPLE | 60 |
| 335+51 | RT | MAPLE | 60 |
| 335+98 | RT | MAPLE | 60 |
| 336+32 | RT | MAPLE | 60 |
| 336+67 | RT | MAPLE | 60 |
| 337+12 | RT | BIRCH | 60 *** |
| *181+50 | RT | CRABAPPLE | 60 |
| 339+62 | LT | MAPLE | 60 |
| 341+48 | RT | CEDAR | 60 |
| 342+62 | LT | ASH | 60 |
| 344+22 | LT | ASH | 60 |
| 346+42 | LT | POPLAR | 60 |
| 346+45 | LT | POPLAR | 60 |
| *261+17 | RT | MAPLE | 60 |
| *261+40 | RT | MAPLE | 60 |
| 353+52 | LT | ASH | 60 |
| 353+81 | LT | SPRUCE | 60 |
| 354+40 | LT | SPRUCE | 60 |
| 354+36 to 355+36 | RT | (VARIES) | ** |
| 356+05 | LT | MAPLE | 60 |
| 356+88 | LT | LOCUST | 60 |
| 357+18 | LT | LOCUST | 60 |
| 357+56 | LT | LOCUST | 60 |
| 358+00 | LT | LOCUST | 60 |
| 358+34 | LT | LOCUST | 60 |
| 358+67 | LT | LOCUST | 60 |
| 361+35 | LT | LOCUST | 60 |
| *291+00 | LT | LOCUST | 60 |
| *291+25 | LT | LOCUST | 60 |
| 364+60 | RT | CRABAPPLE | 60 |
| 366+40 | LT | MAPLE | 60 |
| 367+87 | LT | ASH | 60 |
| 368+05 | LT | ASH | 60 |
| SUB-TOTAL | | | 2,940 FT |

| TREE PROTECTION BARRIER TABLE | | | |
|-------------------------------|------|----------|----------|
| STATION | SIDE | SPECIES | LENGTH |
| 368+44 | LT | ASH | 60 |
| 368+59 | LT | ASH | 60 |
| 368+64 | LT | LOCUST | 60 |
| 369+77 | RT | PEAR | 60 |
| 370+18 | RT | CHESTNUT | 60 |
| 370+35 | LT | MAPLE | 60 |
| 370+60 | LT | MAPLE | 60 |
| 370+94 | RT | CEDAR | 60 |
| 371+09 | RT | MAPLE | 60 |
| 371+50 | LT | MAPLE | 60 |
| *320+94 | RT | MAPLE | 60 |
| *330+99 | LT | APPLE | 60 |
| *331+23 | RT | PINE | 60 |
| *331+33 | RT | PINE | 60 |
| *331+52 | RT | PINE | 60 |
| 372+41 | LT | LOCUST | 60 |
| 372+70 | LT | LOCUST | 60 |
| 372+96 | LT | LOCUST | 60 |
| 373+50 | LT | LOCUST | 60 |
| 373+91 | LT | LOCUST | 60 |
| 374+16 | LT | LOCUST | 60 |
| 375+03 | LT | LOCUST | 60 |
| 375+49 | LT | LOCUST | 60 |
| *252+52 | LT | PINE | 60 |
| *253+47 | LT | WILLOW | 60 |
| SUB-TOTAL | | | 1,500 FT |
| TOTAL | | | 7,440 FT |

NOTE
 (*) = SIDE STREET OR JUGHANDLE OR DRIVE
 (**) = INCLUDED ON EROSION CONTROL PLANS
 (***) = PROTECT TREE AND SURROUNDING SHRUBS

DATUM
 VERTICAL NGVD 1929
 HORIZONTAL NAD 1927

4/13/04

SHELBURNE
 SURVEYED BY V.S.C. INC. DATE _____
 DRAWN BY E.A.A. INC. DATE _____
 TRACED BY E.A.A. INC. DATE _____
 PROJECT NH-ECC-019-4(27)
 MISCELLANEOUS DETAIL DRAWING NO. 1
 SHEET NO. 101 OF 537