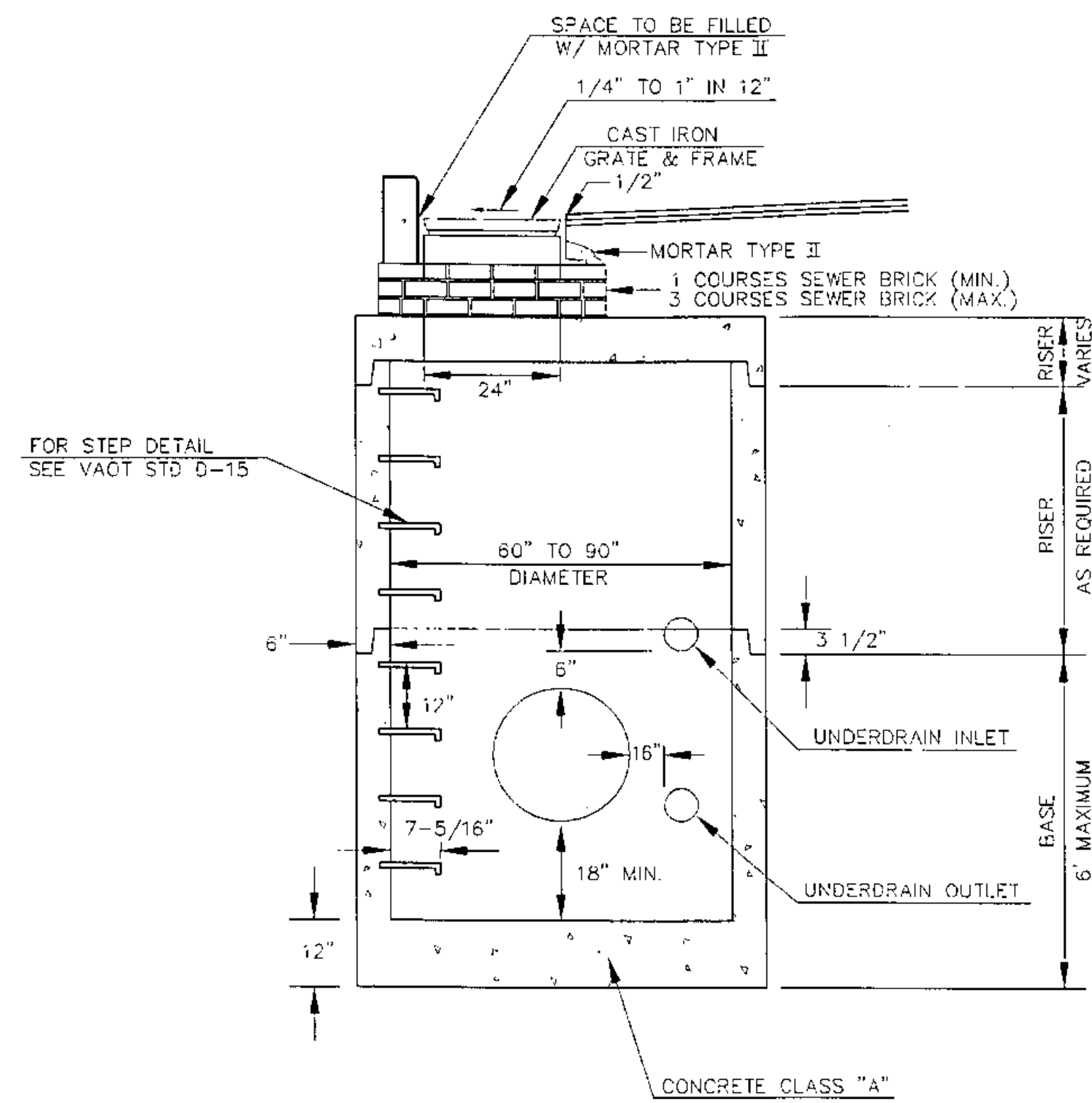
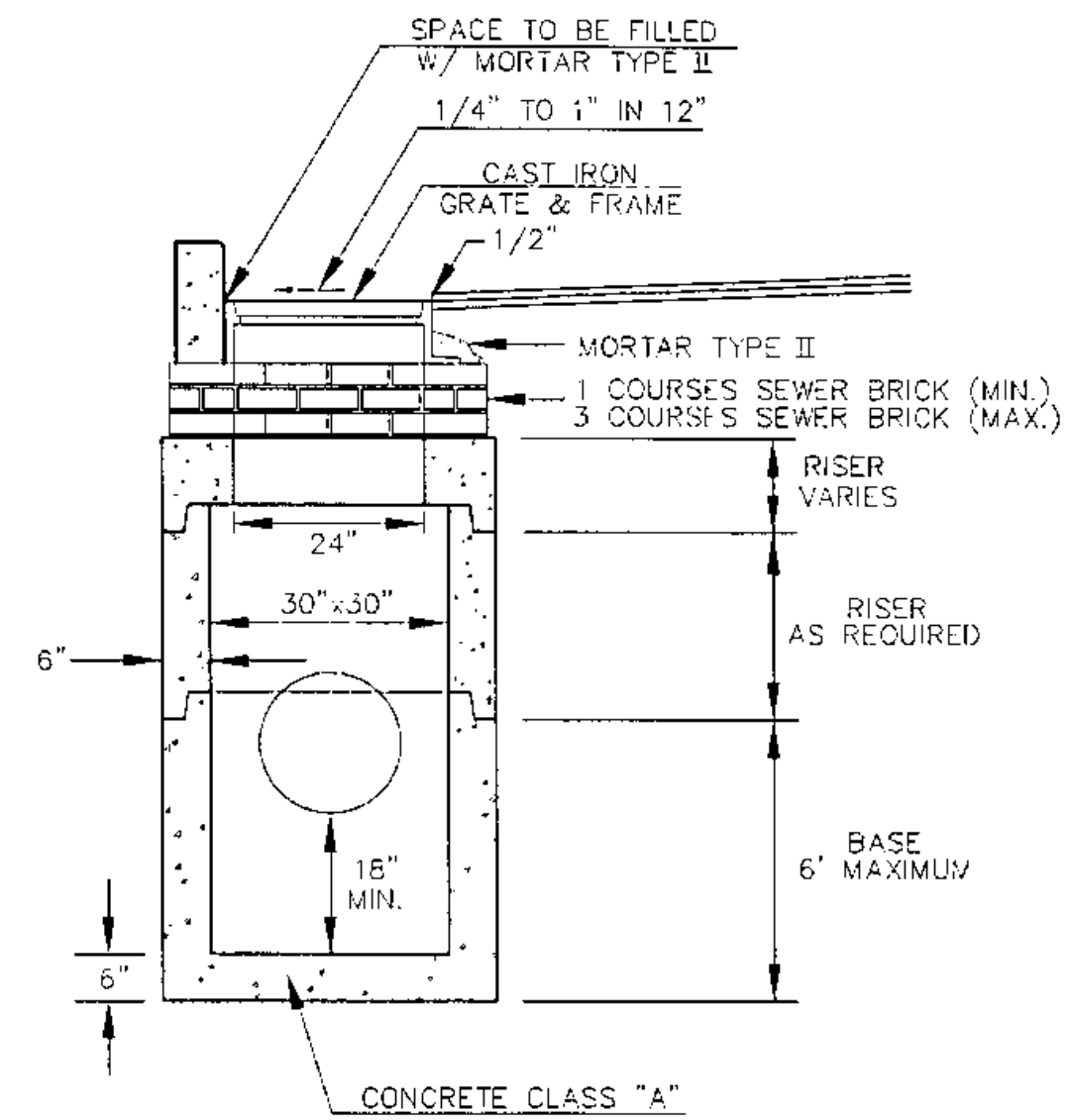


DRAINAGE STRUCTURE DETAILS



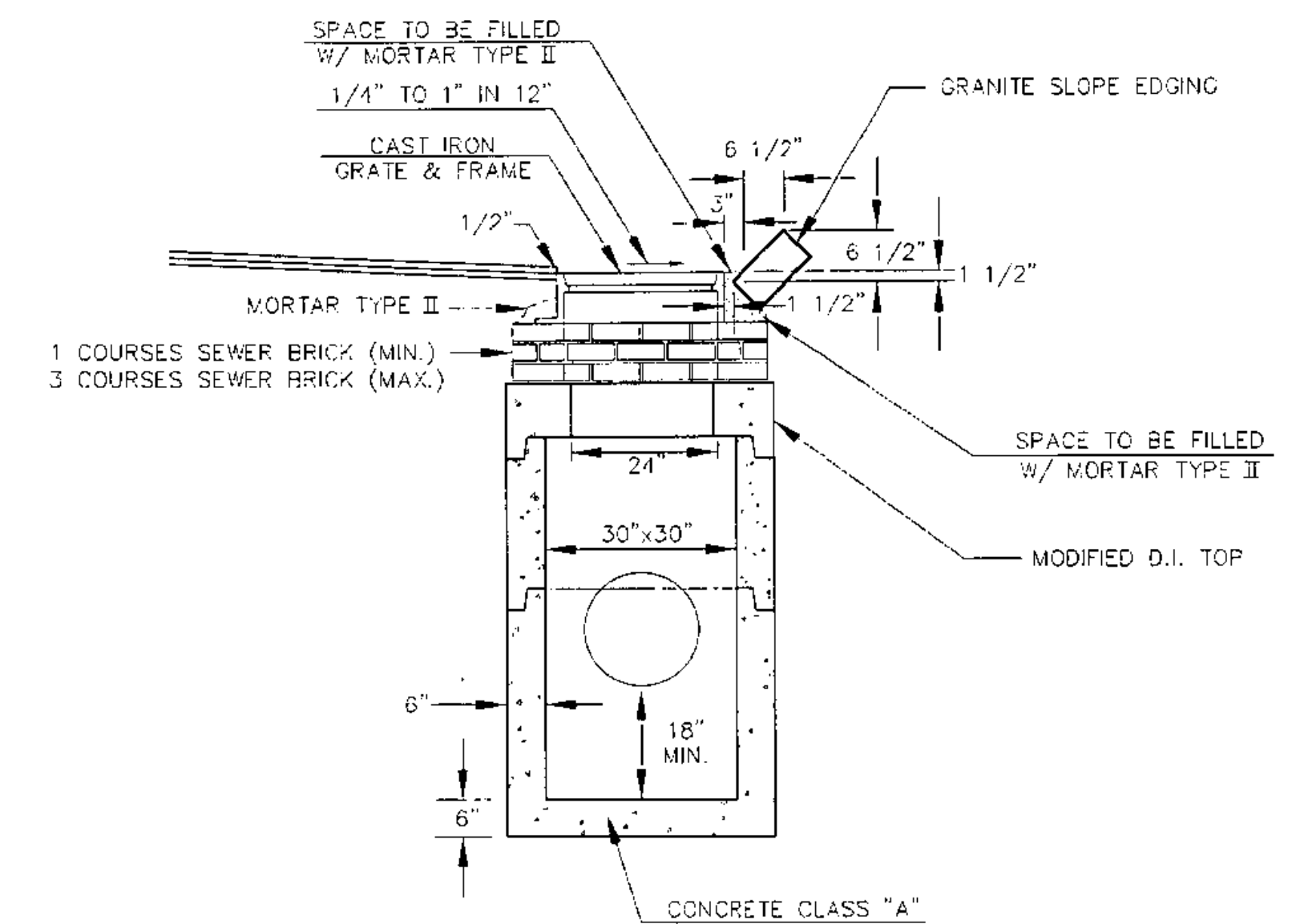
PRECAST CATCH BASIN

SCALE: 1/2" = 1'-0"



PRECAST DROP INLET

SCALE: 1/2" = 1'-0"



PRECAST DROP INLET W/ GRATE SLOPE EDGING

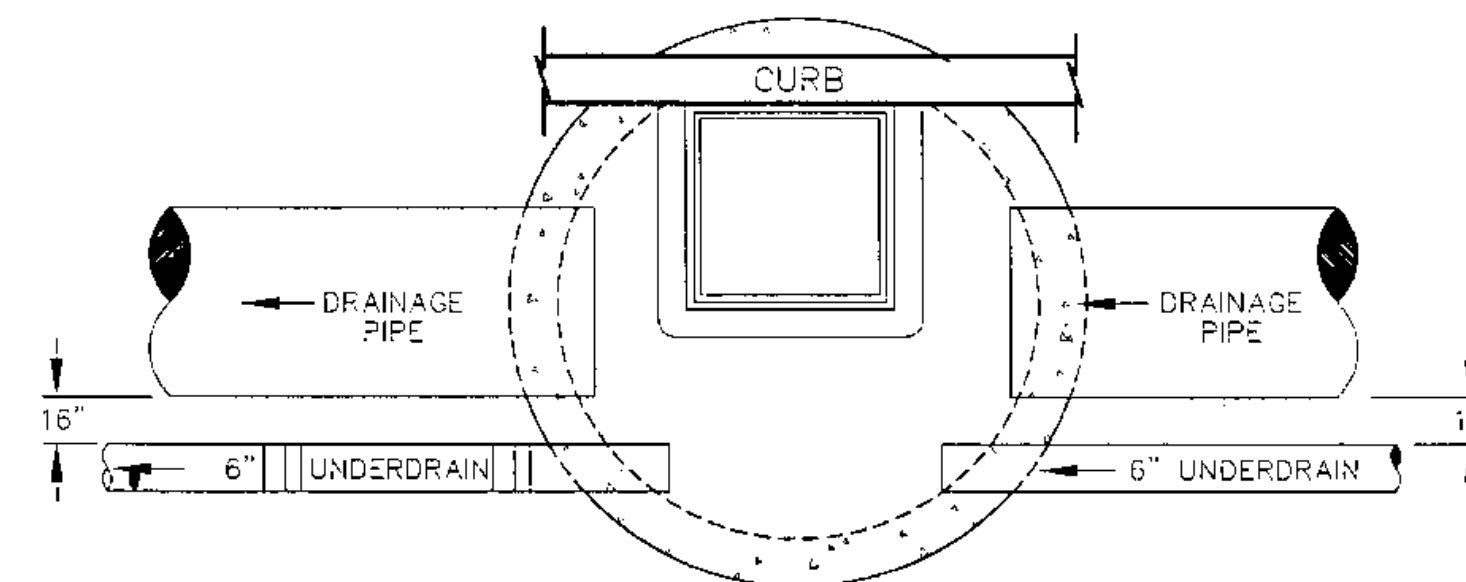
Sta. 266+07, 3' RT. (C-5)

Sta. 271+15, 3' RT. (D-5)

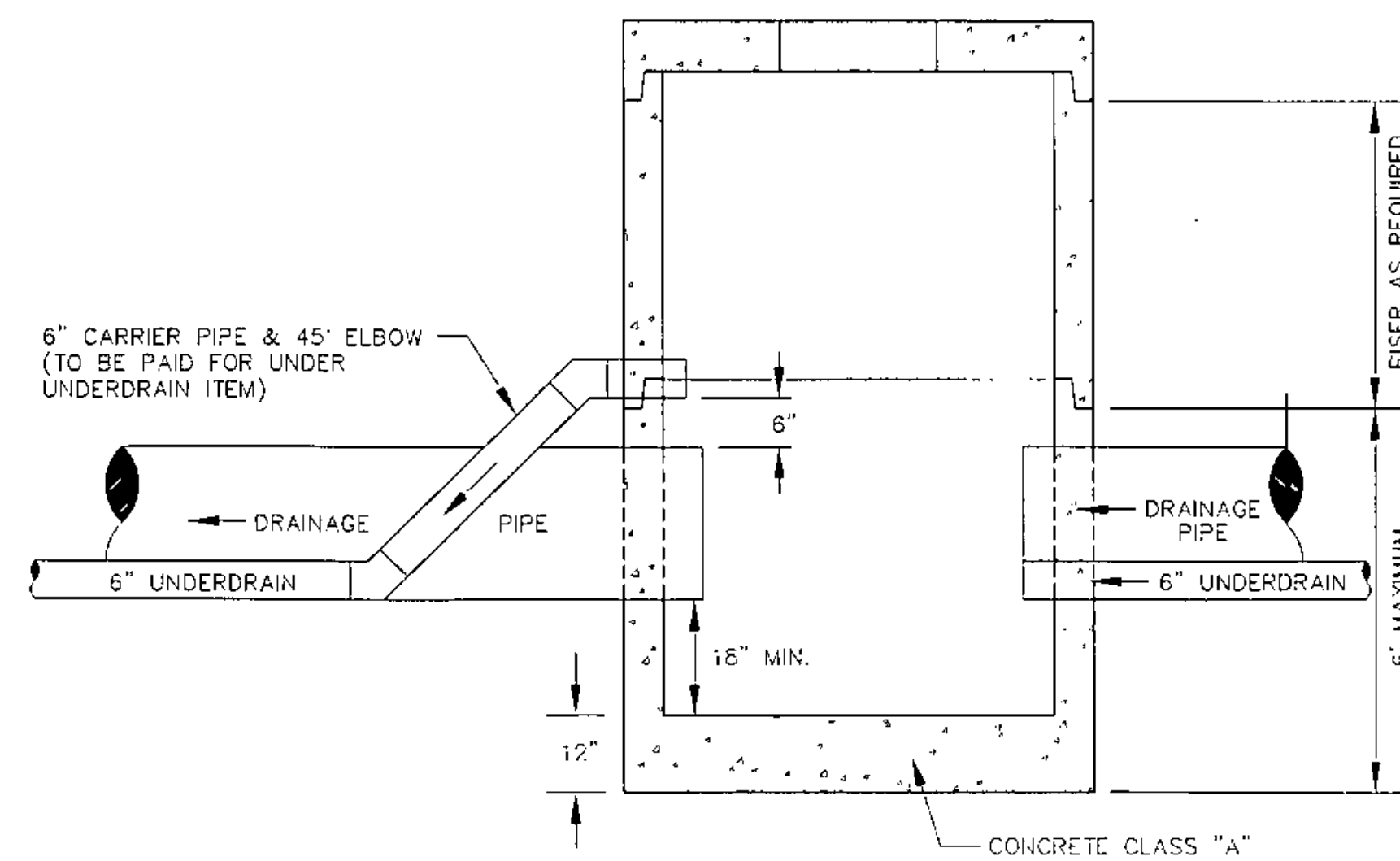
Sta. 374+55, 7' RT. (U-11)

Sta. 377+50, 10' LT. (V-9)

SCALE: 1/2" = 1'-0"



PLAN



SECTION

UNDERDRAIN FLUSHING BASIN DETAIL

SCALE: 1/2" = 1'-0"

DATUM
VERTICAL NCVD 1929
HORIZONTAL NAD 1927

4/13/04

SHELBURNE
SURVEYED BY V.S.C. INC. DATE _____
DRAWN BY E.A.A. INC. DATE _____
TRACED BY E.A.A. INC. DATE _____
PROJECT NH-EGC-019-4(27)
STRUCTURE DETAIL DRAWING NO. 1
SHEET NO. 96 OF 537