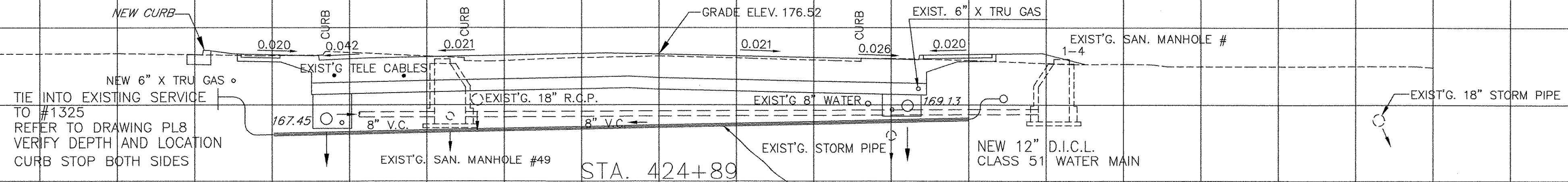
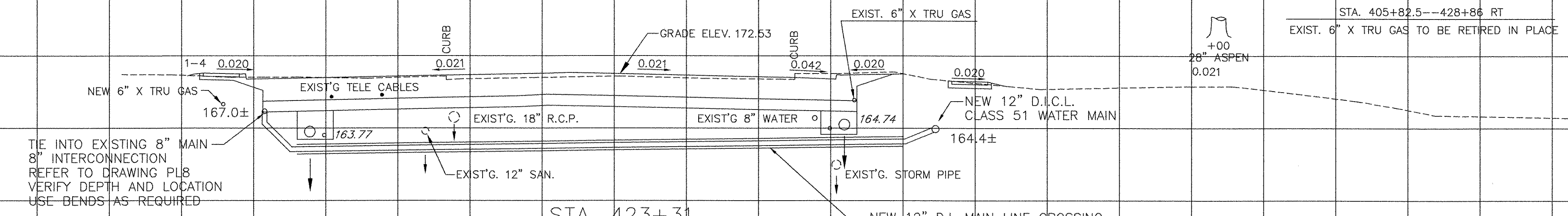


DATUM ELEV = 170.00

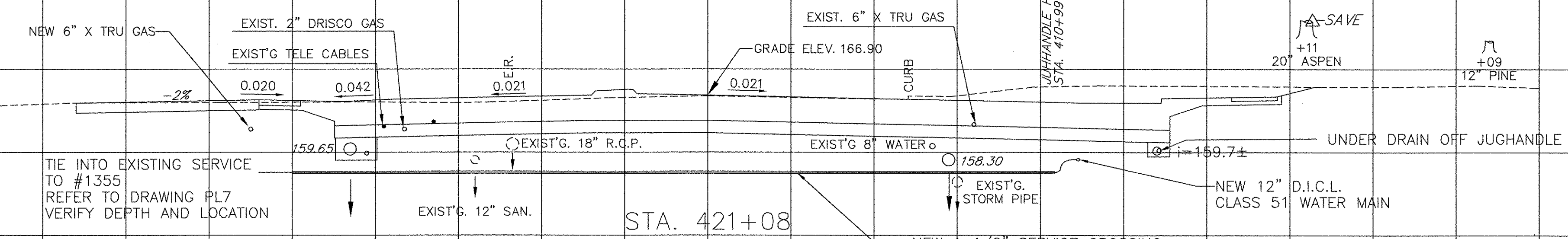


DATUM ELEV = 165.00

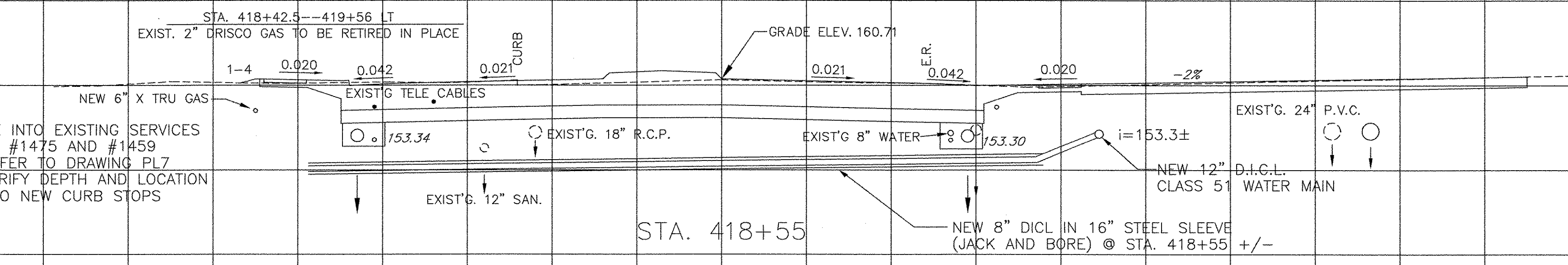


STA. 416+00--428+90 55'LT
INST. NEW 6" X TRU GAS HOLMES RD.

DATUM ELEV = 160.00

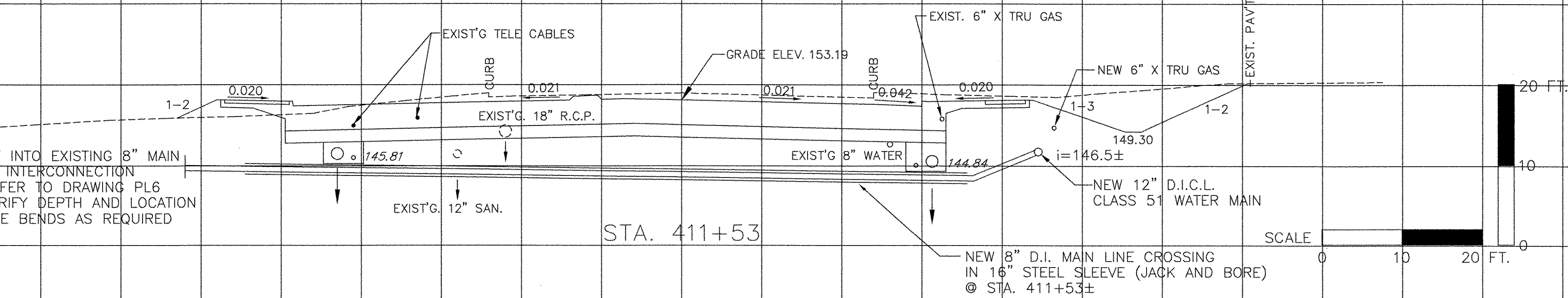


DATUM ELEV = 150.00

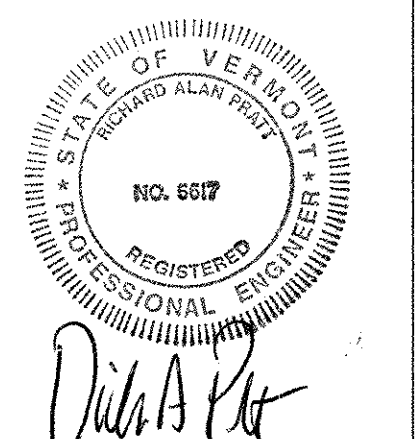


STA. 416+00--428+90 55'LT
INST. NEW 6" X TRU GAS

DATUM ELEV = 145.00



130 120 110 100 90 80 70 60 50 40 30 20 10 0 10 20 30 40 50 60 70 80 90 100 110 120



CONTRACT #63
WATER MAIN RELOCATION
 U.S. ROUTE 7, "SHELburne RD"
 SOUTH BURLINGTON,
 VERMONT

ROAD CROSSINGS
 4, 5, 6, 7, & 8 OF 8

DESIGNED BY: RAP	DATE: APRIL, 2002
DRAWN BY: EJP	SCALE: AS SHOWN
CHECKED BY: RAP	DRAWING No.
APPROVED BY: RAP	CR2
FILE NAME: 2000_CROSS	SHEET 16 OF 18