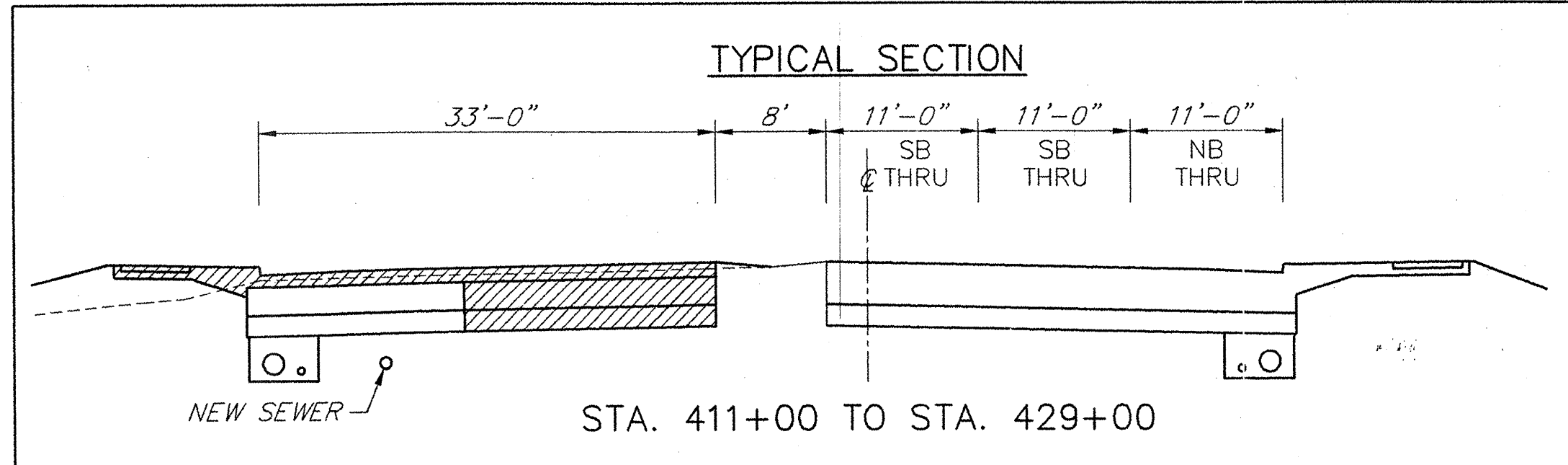


ITEM 641.15 - PORTABLE CHANGEABLE MESSAGE SIGN SHALL BE PLACED ON U.S. ROUTE 7 IN THE SOUTHBOUND DIRECTION, AS PER THE ENGINEER.



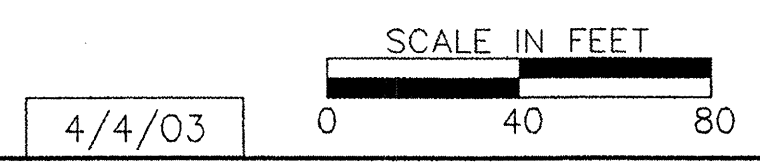
| LEGEND |                                    |
|--------|------------------------------------|
|        | WORK ZONE                          |
|        | TRAFFIC FLOW DIRECTION             |
|        | BARREL                             |
|        | TYPE III BARRICADE                 |
|        | SIGN LOCATION; TEMPORARY MOUNTING  |
|        | SIGN MOUNTED ON TYPE III BARRICADE |
|        | FLAGGER LOCATION                   |
|        | TRAFFIC CONE                       |
|        | FLASHING ARROW BOARD               |

**PHASE 3**  
 SHELBURNE - SOUTH BURLINGTON

SURVEYED BY V.S.C. INC. DATE \_\_\_\_\_  
 DRAWN BY E.A.A. INC. DATE \_\_\_\_\_  
 TRACED BY E.A.A. INC. DATE \_\_\_\_\_

PROJECT NH-EGC-019-4(28)  
 TRAFFIC CONTROL DRAWING NO. 11  
 SHEET NO. 157 OF 283

DATUM  
 VERTICAL NGVD 1929  
 HORIZONTAL NAD 1927



4/4/03