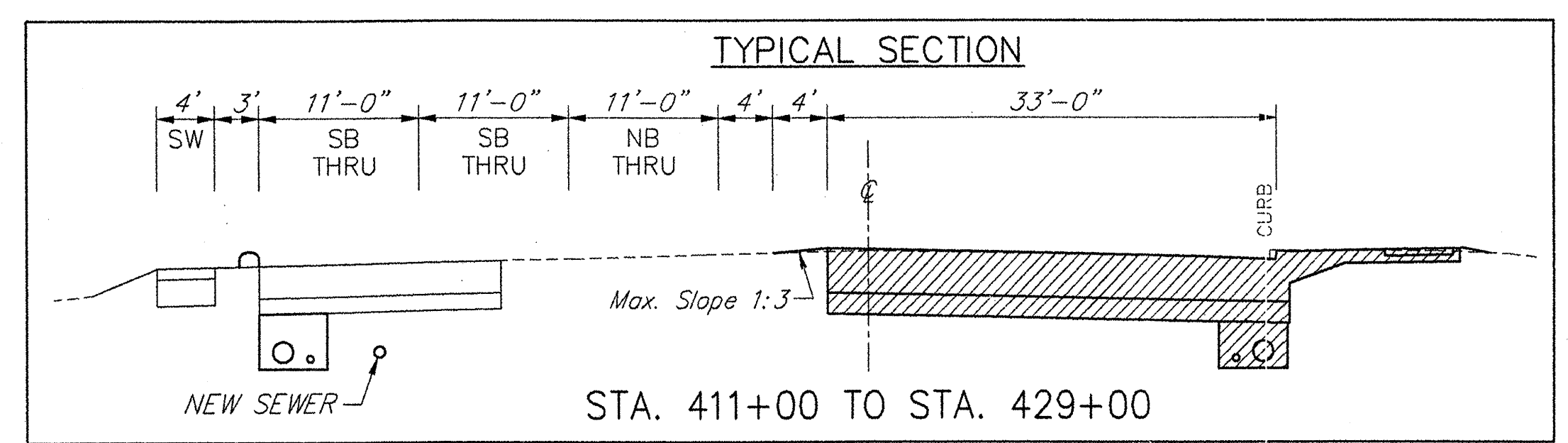


ITEM 641.15 - PORTABLE CHANGEABLE MESSAGE SIGN SHALL BE PLACED ON U.S. ROUTE 7 IN THE SOUTHBOUND DIRECTION, AS PER THE ENGINEER.



LEGEND	
	WORK ZONE
	TRAFFIC FLOW DIRECTION
	BARREL
	TYPE III BARRICADE
	SIGN LOCATION; TEMPORARY MOUNTING
	SIGN MOUNTED ON TYPE III BARRICADE
	FLAGGER LOCATION
	TRAFFIC CONE
	FLASHING ARROW BOARD

PHASE 2
 SHELburne - SOUTH BURLINGTON

SURVEYED BY V.S.C. INC. DATE _____
 DRAWN BY E.A.A. INC. DATE _____
 TRACED BY E.A.A. INC. DATE _____

PROJECT NH-EGC-019-4(28)
 TRAFFIC CONTROL DRAWING NO. 8
 SHEET NO. 154 OF 283

DATUM
 VERTICAL NGVD 1929
 HORIZONTAL NAD 1927

SCALE IN FEET
 0 40 80

4/4/03