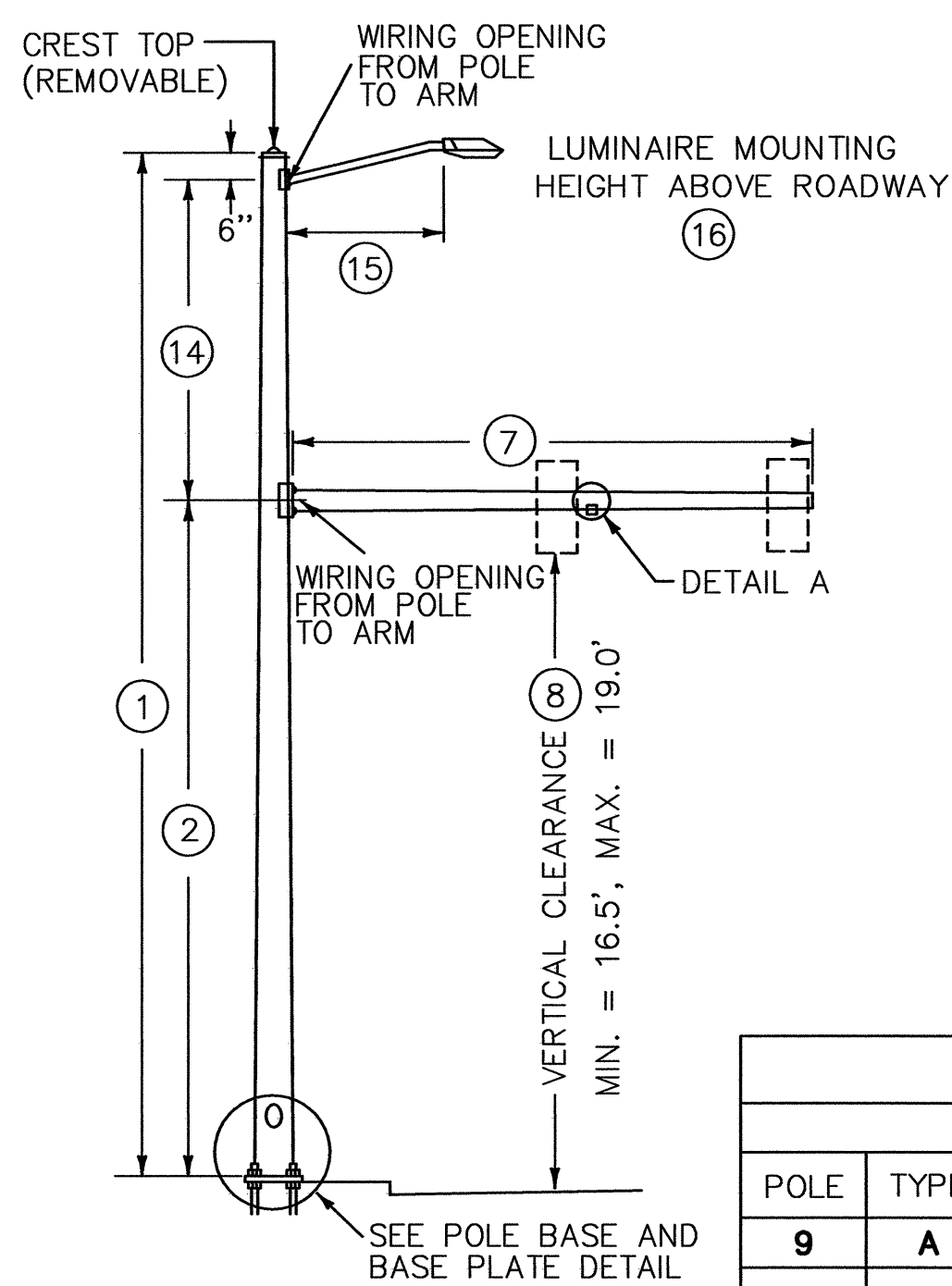
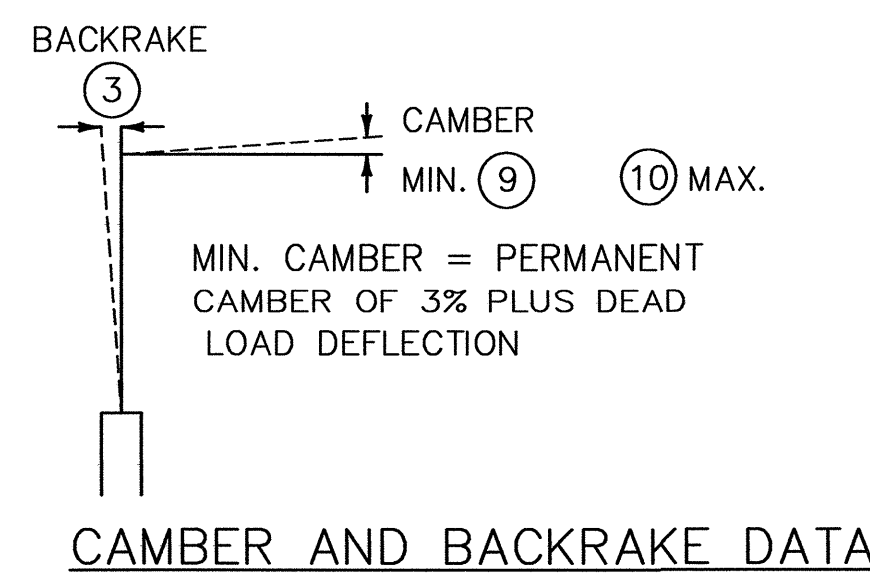


TYPE A

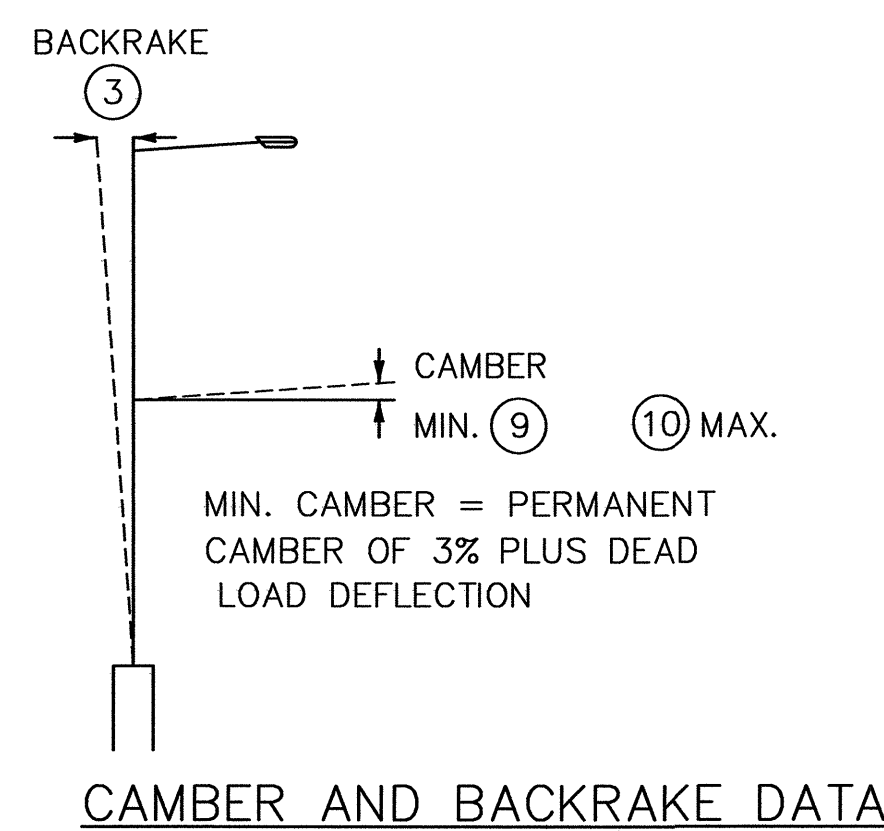


TYPE B

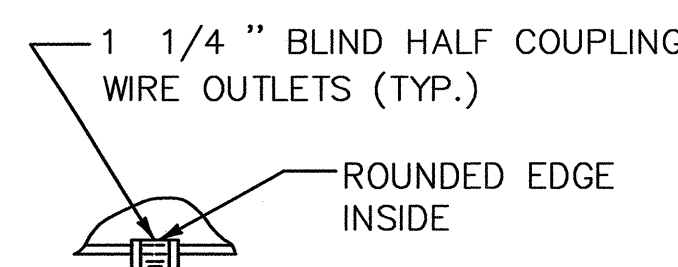


CAMBER AND BACKRAKE DATA

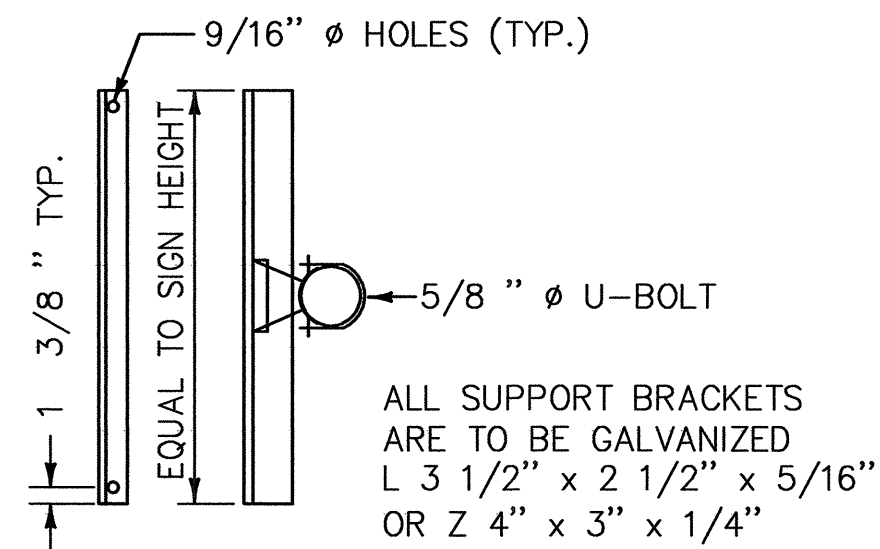
- POLE BASE DIAMETER (4)
- POLE GAUGE (5)
- POLE TAPER RATE (6)
- ARM DIAMETER (11)
- ARM GAUGE (12)
- ARM TAPER RATE (13)



CAMBER AND BACKRAKE DATA

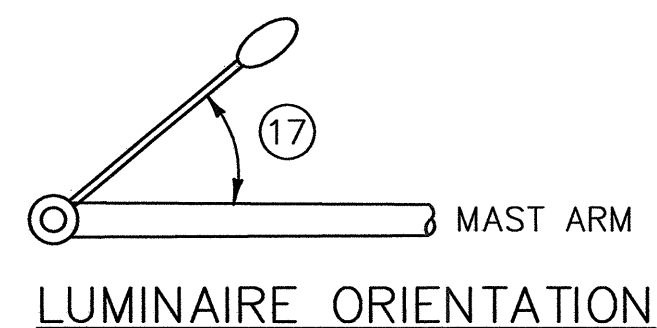


DETAIL A

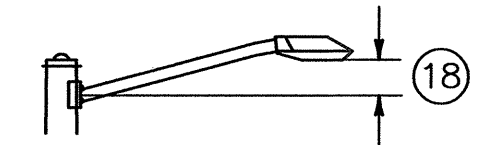


SIGN ON SINGLE MAST ARM

SIGN BRACKET DETAILS

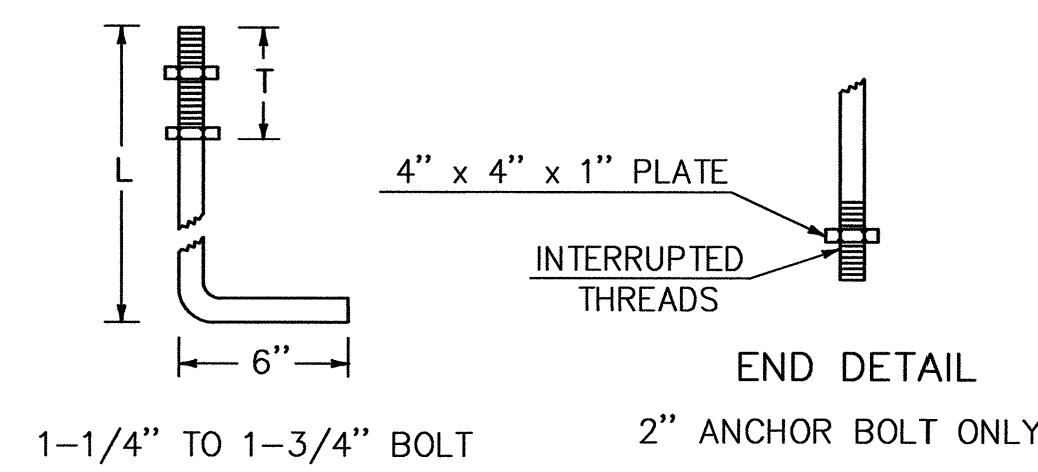


LUMINAIRE ORIENTATION

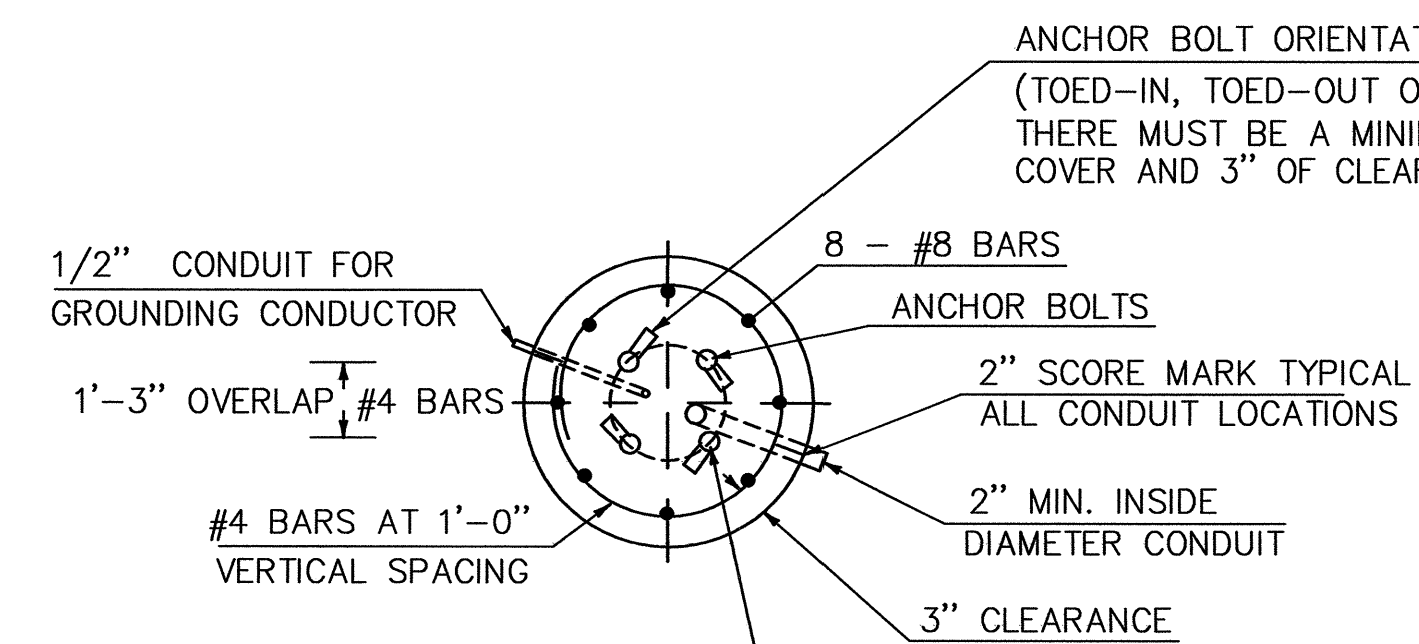


LUMINAIRE ARM RISE

ANCHOR BOLT DETAIL	SIZE	L (IN)	T (IN)
	1-1/4" x 48"	42	8
	1-1/2" x 60"	54	9
	1-3/4" x 90"	84	9
	2" x 96"	96	9



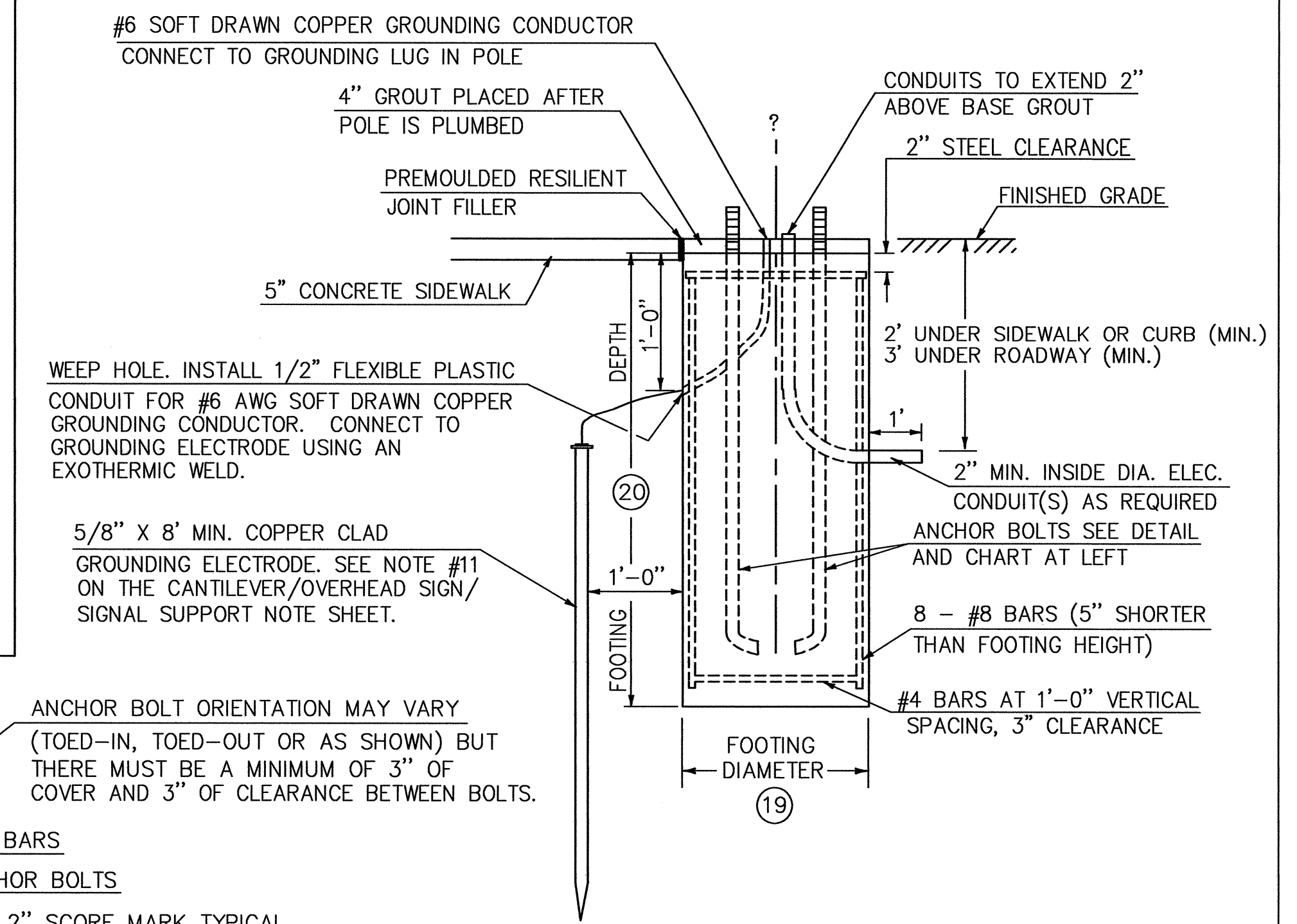
ANCHOR BOLT DETAIL



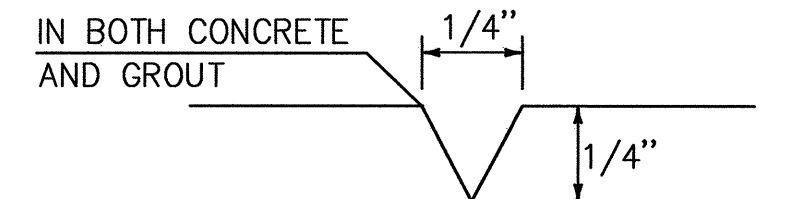
SECTION

CANTILEVER FOOTING DETAIL (SPREAD FOOTINGS OR PILES ARE OPTIONAL)

SEE CANTILEVER / OVERHEAD SIGN / SIGNAL SUPPORTS NOTE SHEET FOR ADDITIONAL INFORMATION



ELEVATION



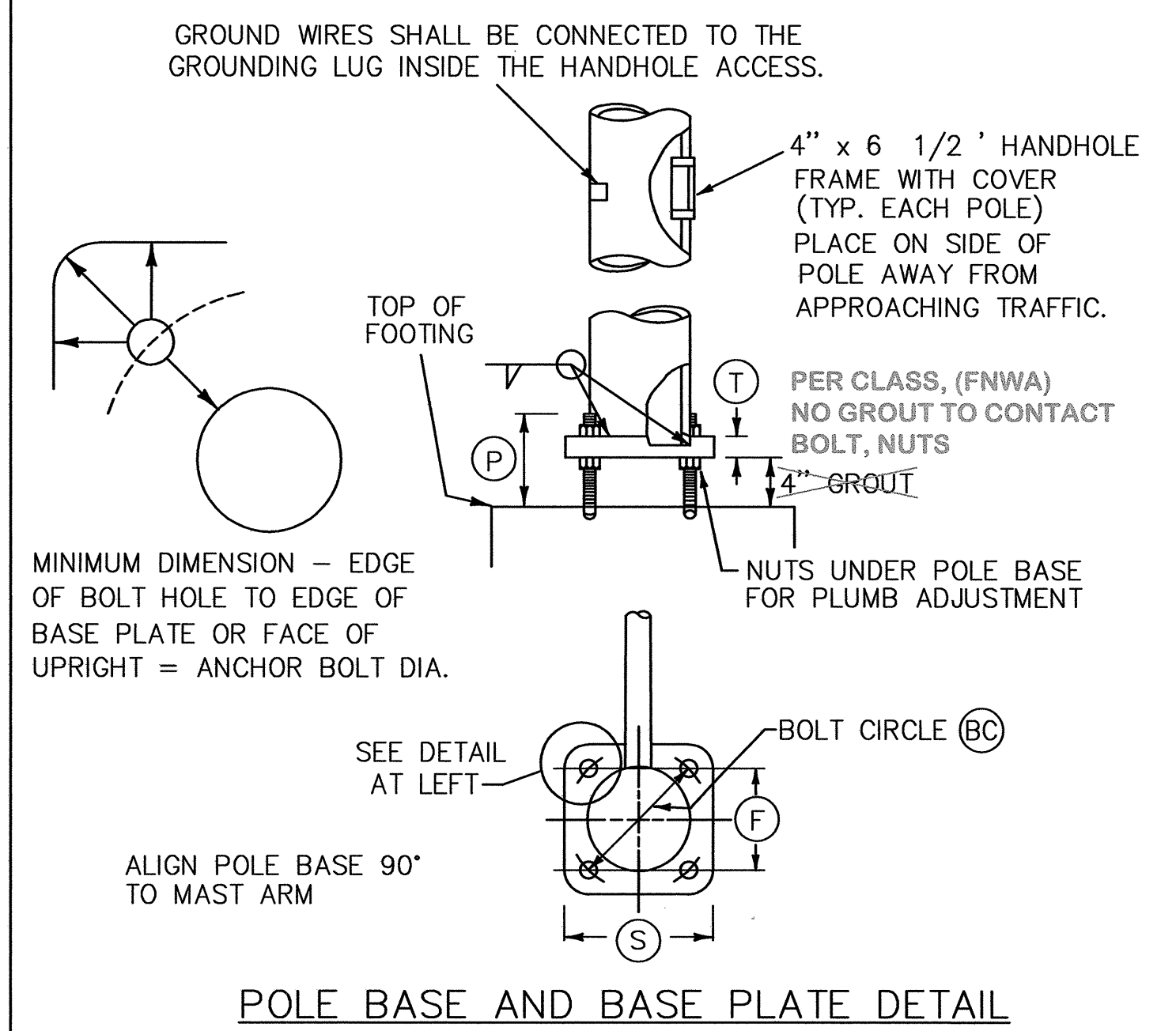
USED FOR CONDUIT LOCATION, SEE SECTION DETAIL AT LEFT

2" SCORE MARK DETAIL

STRUCTURE DIMENSIONS

POLE	TYPE	POLE DATA						ARM DATA						LIGHTING DATA						FOOTING DATA		BASE PLATE / BOLT DATA							
		(1)	(2)	(3)	(4)	(5)	(6)	(7)	(8)	(9)	(10)	(11)	(12)	(13)	(14)	(15)	(16)	(17)	(18)	(19)	(20)	(BC)	(F)	(S)	(T)	(P)	ANCHOR BOLT SIZE		
9	A	20'	18.5'		14.0"	7 GA	0.14 INIFT	49'	16.5'			10.0"	7 GA	0.14 INIFT						3.5'	12.0'	20.0"	14 1/8"	21.0"	1 1/2"	6 1/4"	1 1/2" X 60"		
10	A	20'	18.5'		12.0"	7 GA	0.14 INIFT	36'	16.5'			9.0"	7 GA	0.14 INIFT						3.5'	8.5'	18.0"	12 3/4"	19.0"	1 1/2"	6 1/4"	1 1/2" X 60"		
11	B	33'	18.5'		12.0"	7 GA	0.14 INIFT	45'	16.5'			9.0"	7 GA	0.14 INIFT	14'	12'	35'	0'	39"	3.5'	8.5'	18.0"	12 3/4"	19.0"	1 1/2"	6 1/4"	1 1/2" X 60"		
12	B	33'	18.5'		14.0"	7 GA	0.14 INIFT	49'	16.5'			10.0"	7 GA	0.14 INIFT	14'	12'	35'	0'	39"	3.5'	12.0'	20.0"	14 1/8"	21.0"	1 1/2"	6 1/4"	1 1/2" X 60"		
13	A	20'	18.5'		14.0"	7 GA	0.14 INIFT	49'	16.5'			10.0"	7 GA	0.14 INIFT						3.5'	12.0'	20.0"	14 1/8"	21.0"	1 1/2"	6 1/4"	1 1/2" X 60"		
14	B	33'	18.5'		14.0"	7 GA	0.14 INIFT	49'	16.5'			10.0"	7 GA	0.14 INIFT	14'	12'	35'	90'	39"	3.5'	12.0'	20.0"	14 1/8"	21.0"	1 1/2"	6 1/4"	1 1/2" X 60"		
15	B	33'	18.5'		14.0"	7 GA	0.14 INIFT	49'	16.5'			10.0"	7 GA	0.14 INIFT	14'	8'	35'	90'	39"	3.5'	12.0'	20.0"	14 1/8"	21.0"	1 1/2"	6 1/4"	1 1/2" X 60"		
16	A	20'	18.5'		14.0"	7 GA	0.14 INIFT	49'	16.5'			10.0"	7 GA	0.14 INIFT						3.5'	12.0'	20.0"	14 1/8"	21.0"	1 1/2"	6 1/4"	1 1/2" X 60"		

AS-BUILT REVISIONS	
NO.	DATE DESCRIPTION
1.	3/7/06 NOTES ADDED TO TABLE



POLE BASE AND BASE PLATE DETAIL

SHELBURNE - SOUTH BURLINGTON

SURVEYED BY V.S.C. INC. DATE _____
 DRAWN BY E.A.A. INC. DATE _____
 TRACED BY E.A.A. INC. DATE _____

PROJECT NH-EGC-019-4(28)
 SIGNAL DRAWING NO. 11
 SHEET NO. 136 OF 283

4/4/03

SINGLE MAST ARM CANTILEVER / FOOTING DETAIL SHEET

DATUM
 VERTICAL NGVD 1929
 HORIZONTAL NAD 1927