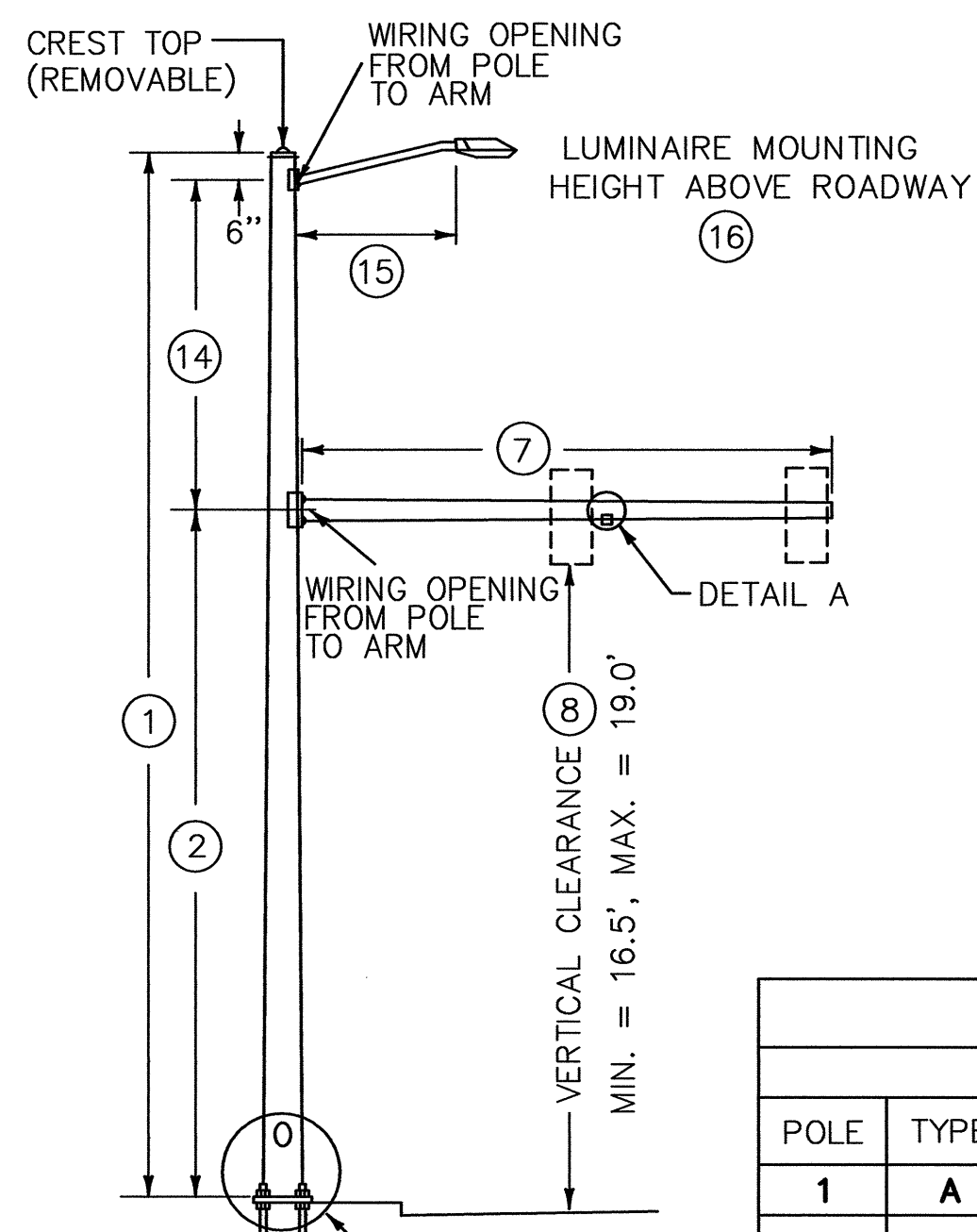
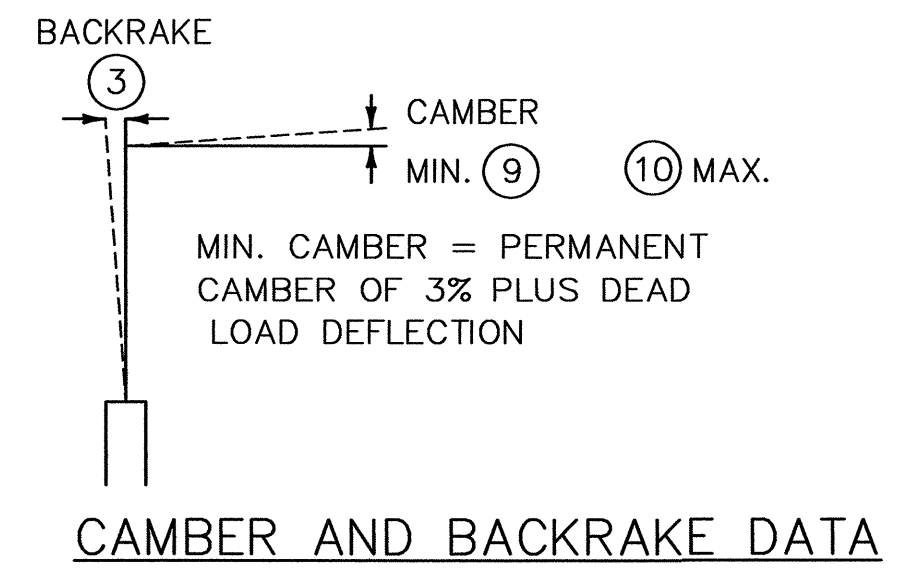


TYPE A

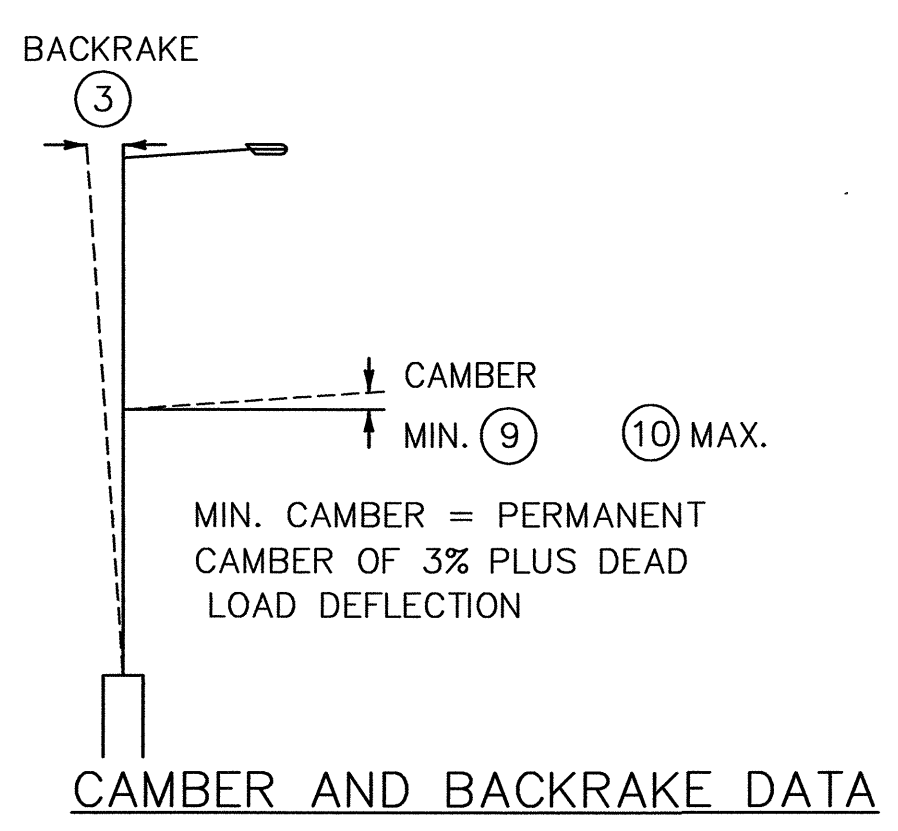


TYPE B

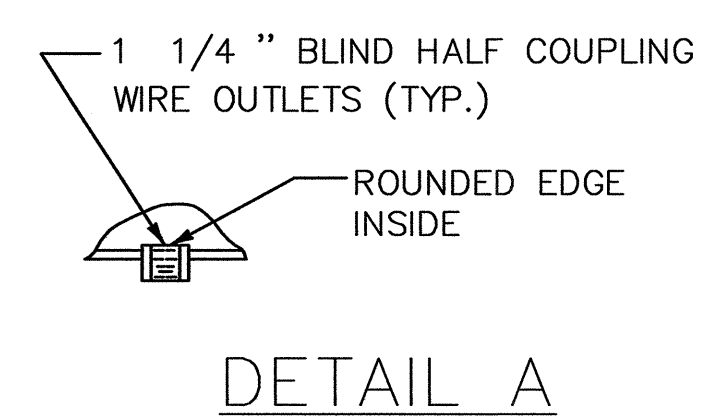


CAMBER AND BACKRAKE DATA

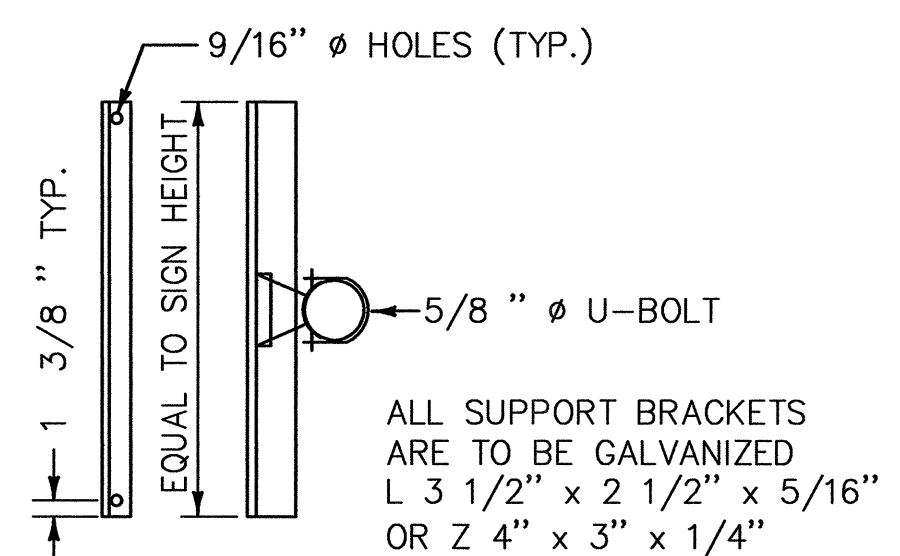
- POLE BASE DIAMETER (4)
- POLE GAUGE (5)
- POLE TAPER RATE (6)
- ARM DIAMETER (11)
- ARM GAUGE (12)
- ARM TAPER RATE (13)



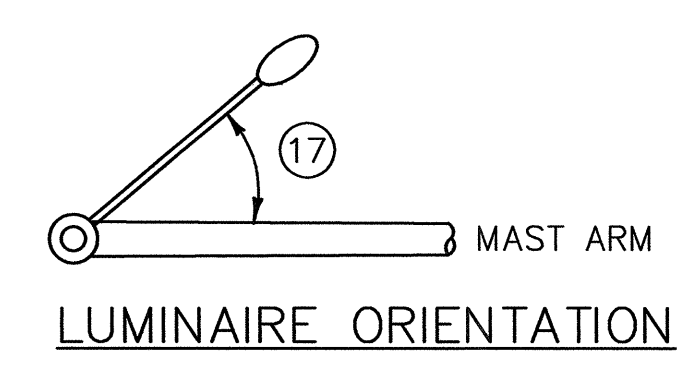
CAMBER AND BACKRAKE DATA



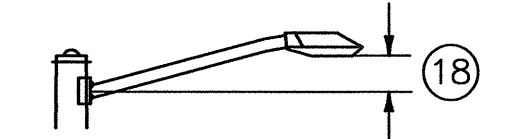
DETAIL A



SIGN BRACKET DETAILS

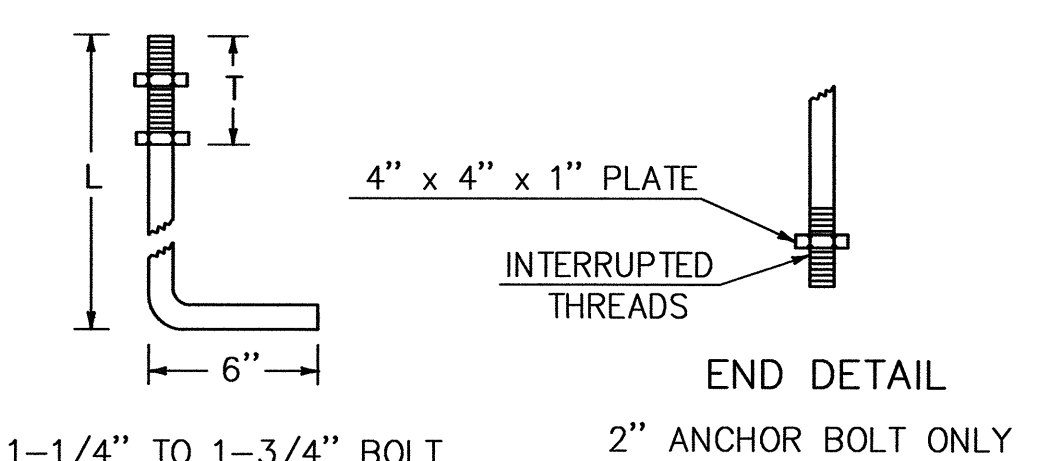


LUMINAIRE ORIENTATION

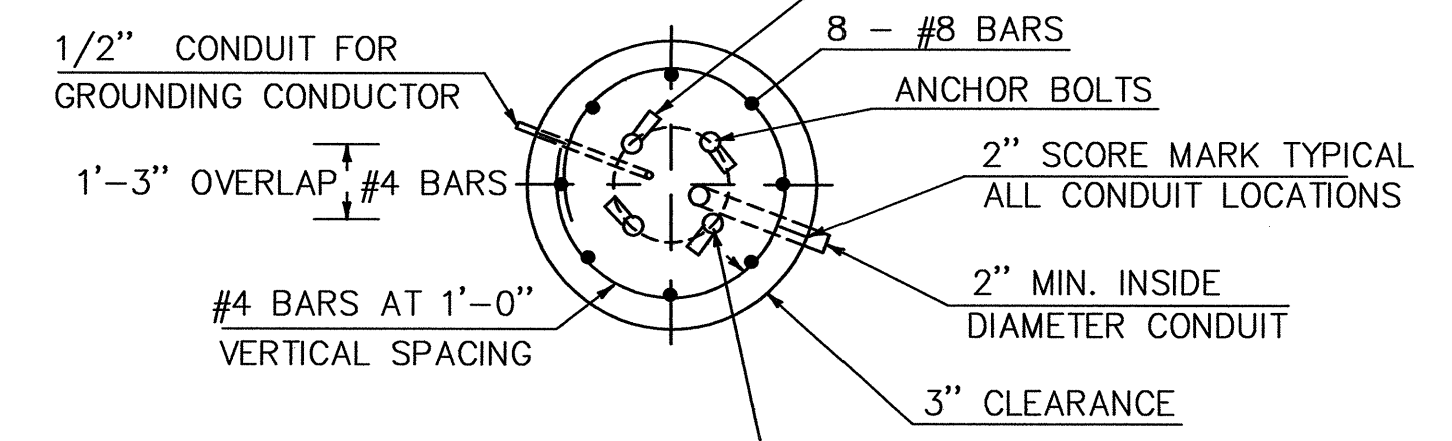


LUMINAIRE ARM RISE

SIZE	L (IN)	T (IN)
1-1/4" x 48"	42	8
1-1/2" x 60"	54	9
1-3/4" x 90"	84	9
2" x 96"	96	9



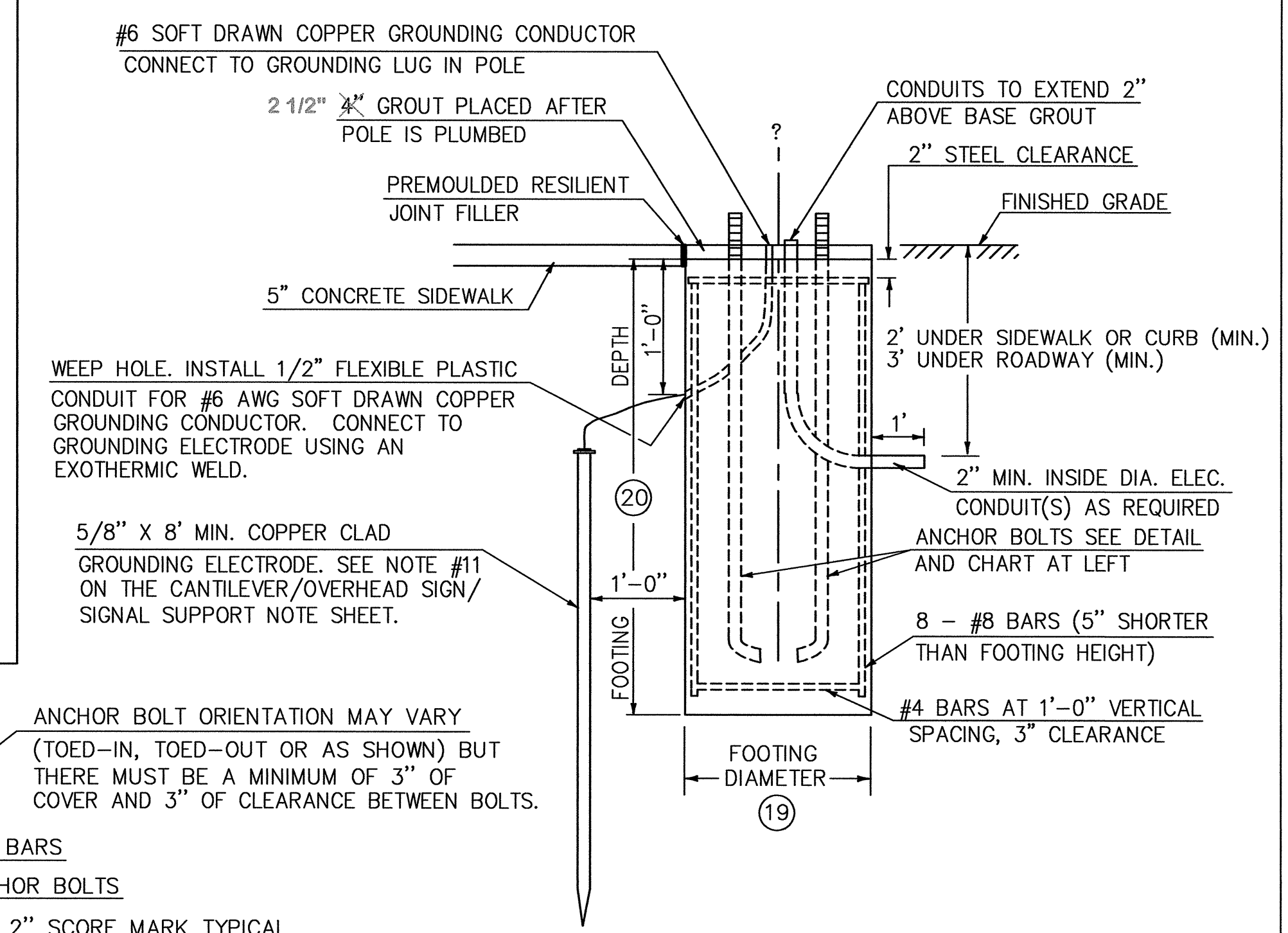
ANCHOR BOLT DETAIL



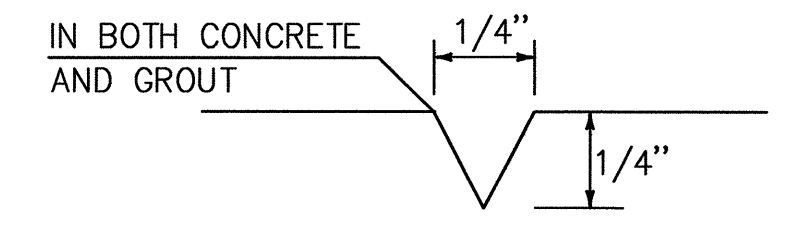
SECTION

CANTILEVER FOOTING DETAIL (SPREAD FOOTINGS OR PILES ARE OPTIONAL)

SEE CANTILEVER / OVERHEAD SIGN / SIGNAL SUPPORTS NOTE SHEET FOR ADDITIONAL INFORMATION



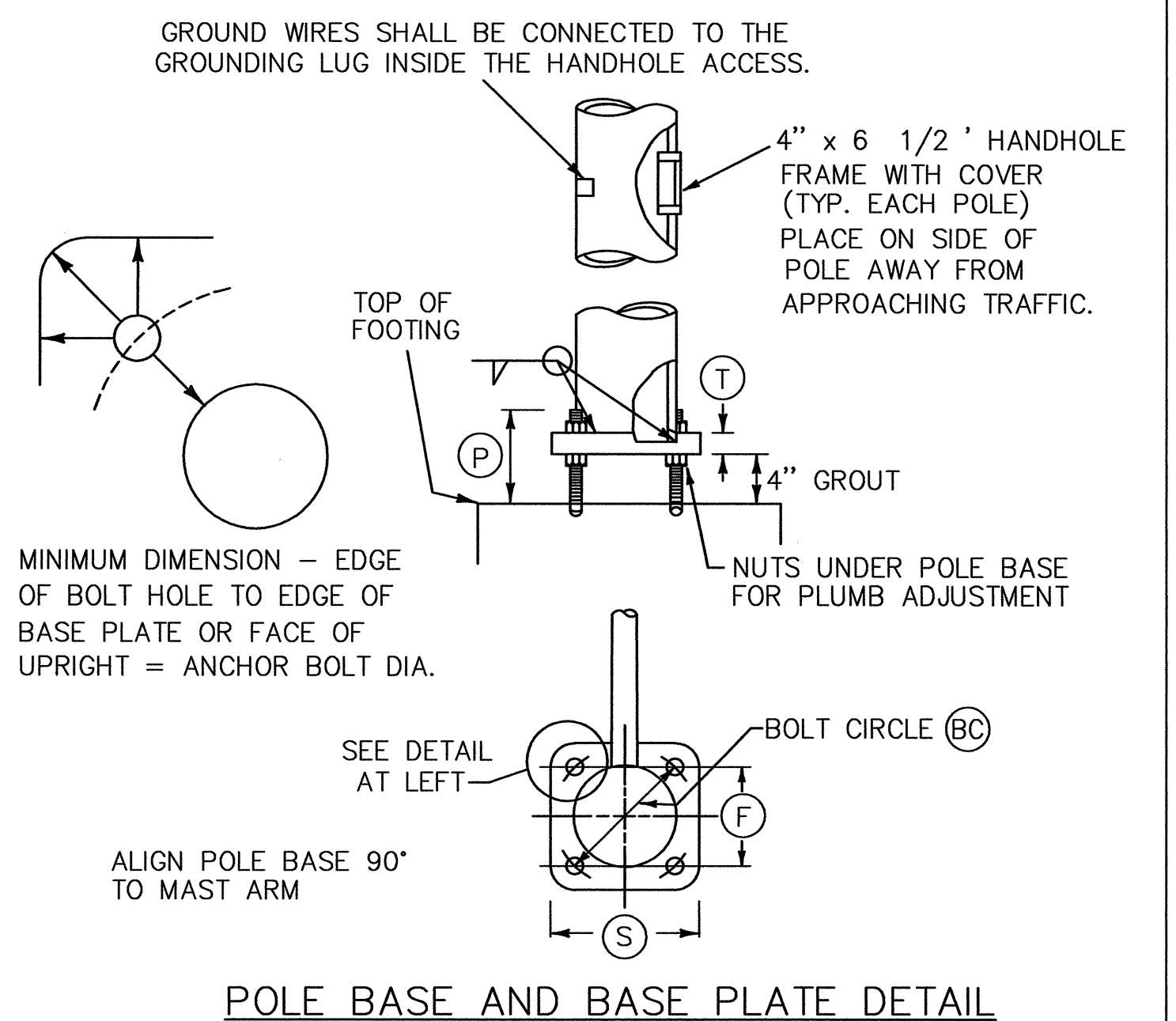
ELEVATION



2" SCORE MARK DETAIL

POLE	TYPE	STRUCTURE DIMENSIONS													FOOTING DATA		BASE PLATE / BOLT DATA										
		POLE DATA			ARM DATA			LIGHTING DATA			FOOTING DATA			BC	F	S	T	P	ANCHOR BOLT SIZE								
		(1)	(2)	(3)	(4)	(5)	(6)	(7)	(8)	(9)	(10)	(11)	(12)	(13)	(14)	(15)	(16)	(17)	(18)	(19)	(20)						
1	A	20'	18.5'		14.0"	7 GA	0.14 IN/FT	49'	16.5'			10.0"	7 GA	0.14 IN/FT						3.5'	12.0'	20.0"	14 1/8"	21.0"	1 1/2"	6 1/4"	1 1/2" X 60"
2	A	20'	18.5'		11.0"	7 GA	0.14 IN/FT	31'	16.5'			8.0"	7 GA	0.14 IN/FT						3.5'	8.5'	17.0"	12.0"	18.0"	1 1/2"	6 1/4"	1 1/2" X 60"
3	B	33'	18.5'		11.0"	7 GA	0.14 IN/FT	21'	16.5'			7.0"	7 GA	0.14 IN/FT	14'	8'	35'	90"	39"	3.5'	9.0'	17.0"	12.0"	18.0"	1 1/2"	6 1/4"	1 1/2" X 60"
4	B	33'	18.5'		14.0"	7 GA	0.14 IN/FT	49'	16.5'			10.0"	7 GA	0.14 IN/FT	14'	12'	35'	0'	39"	3.5'	12.0'	20.0"	14 1/8"	21.0"	1 1/2"	6 1/4"	1 1/2" X 60"
5	A	20'	18.5'		12.0"	7 GA	0.14 IN/FT	40'	16.5'			9.0"	7 GA	0.14 IN/FT						3.5'	9.5'	18.0"	12 3/4"	19.0"	1 1/2"	6 1/4"	1 1/2" X 60"
6	B	33'	18.5'		14.0"	7 GA	0.14 IN/FT	49'	16.5'			10.0"	7 GA	0.14 IN/FT	14'	12'	35'	0'	39"	3.5'	12.0'	20.0"	14 1/8"	21.0"	1 1/2"	6 1/4"	1 1/2" X 60"
7	A	20'	18.5'		11.0"	7 GA	0.14 IN/FT	33'	16.5'			8.0"	7 GA	0.14 IN/FT						3.5'	8.5'	17.0"	12.0"	18.0"	1 1/2"	6 1/4"	1 1/2" X 60"
8	B	33'	18.5'		14.0"	7 GA	0.14 IN/FT	49'	16.5'			10.0"	7 GA	0.14 IN/FT	14'	12'	35'	0'	39"	3.5'	12.0'	20.0"	14 1/8"	21.0"	1 1/2"	6 1/4"	1 1/2" X 60"

NO.	DATE	DESCRIPTION
1.	3/7/06	NOTES ADDED TO TABLE



POLE BASE AND BASE PLATE DETAIL

SINGLE MAST ARM CANTILEVER / FOOTING DETAIL SHEET

DATUM
VERTICAL NGVD 1929
HORIZONTAL NAD 1927

4/4/03

SHELburne - SOUTH BURLINGTON
 SURVEYED BY V.S.C. INC. DATE _____
 DRAWN BY E.A.A. INC. DATE _____
 TRACED BY E.A.A. INC. DATE _____
 PROJECT NH-EGC-019-4(28)
 SIGNAL DRAWING NO. 10
 SHEET NO. 135 OF 283