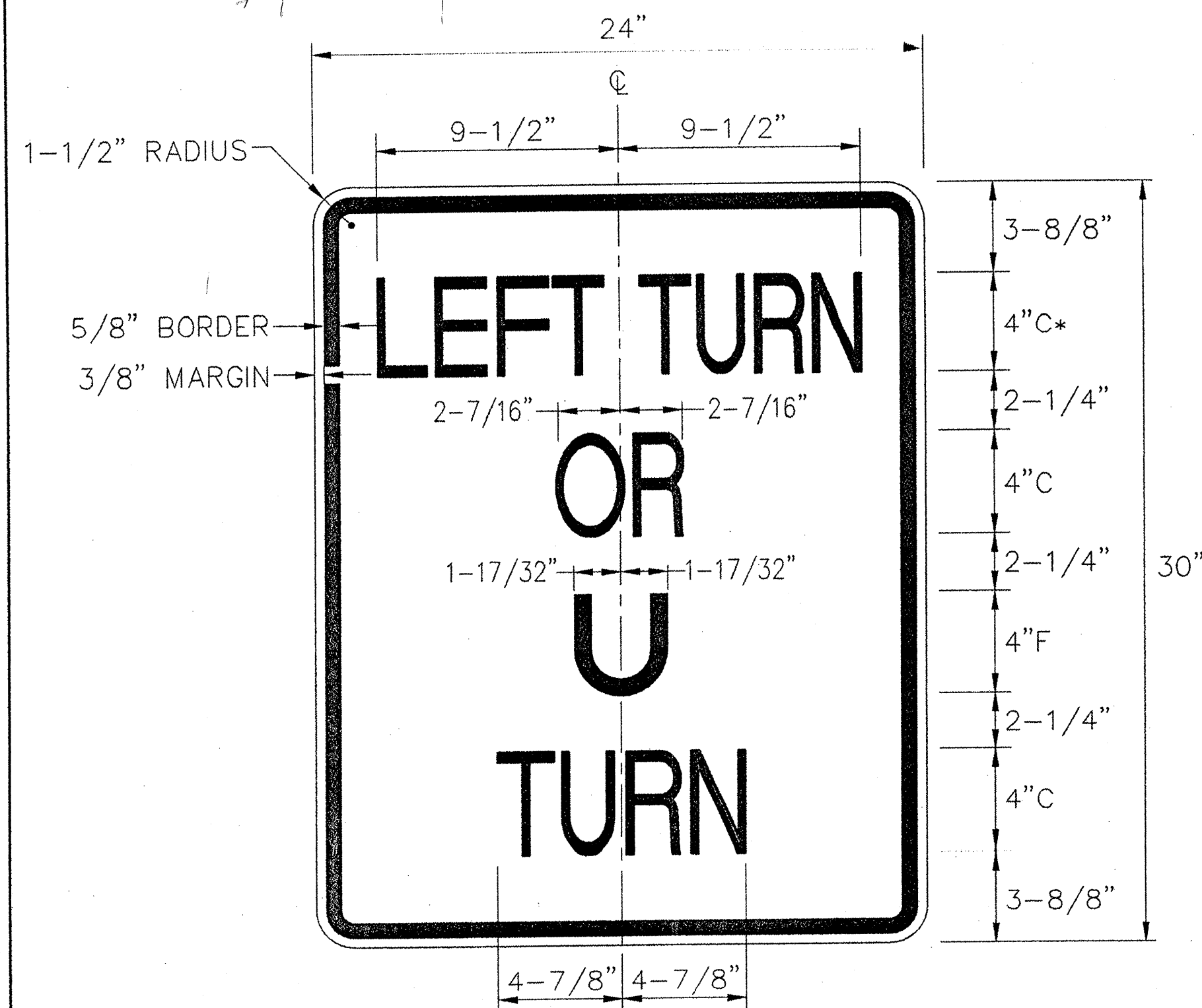
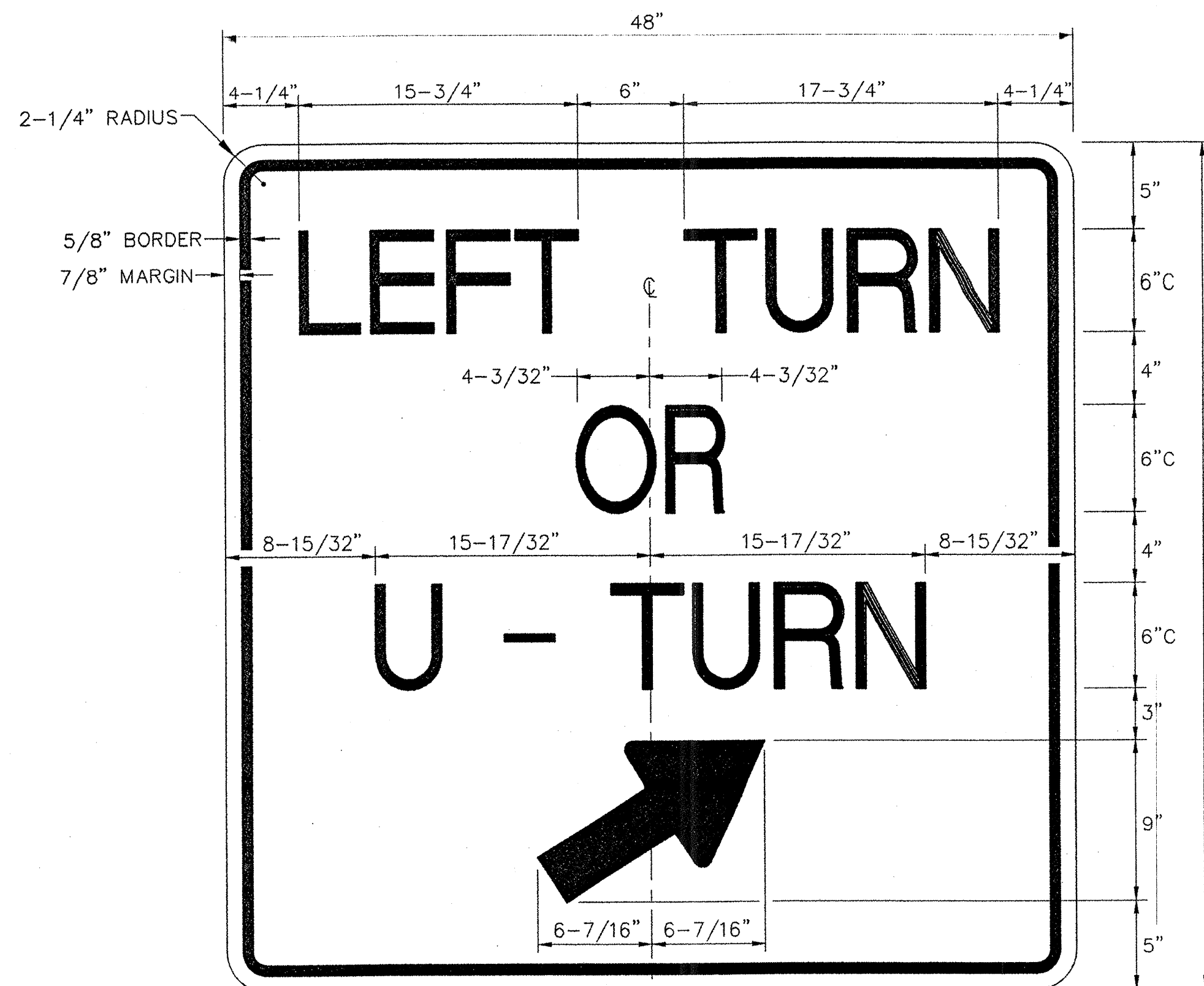


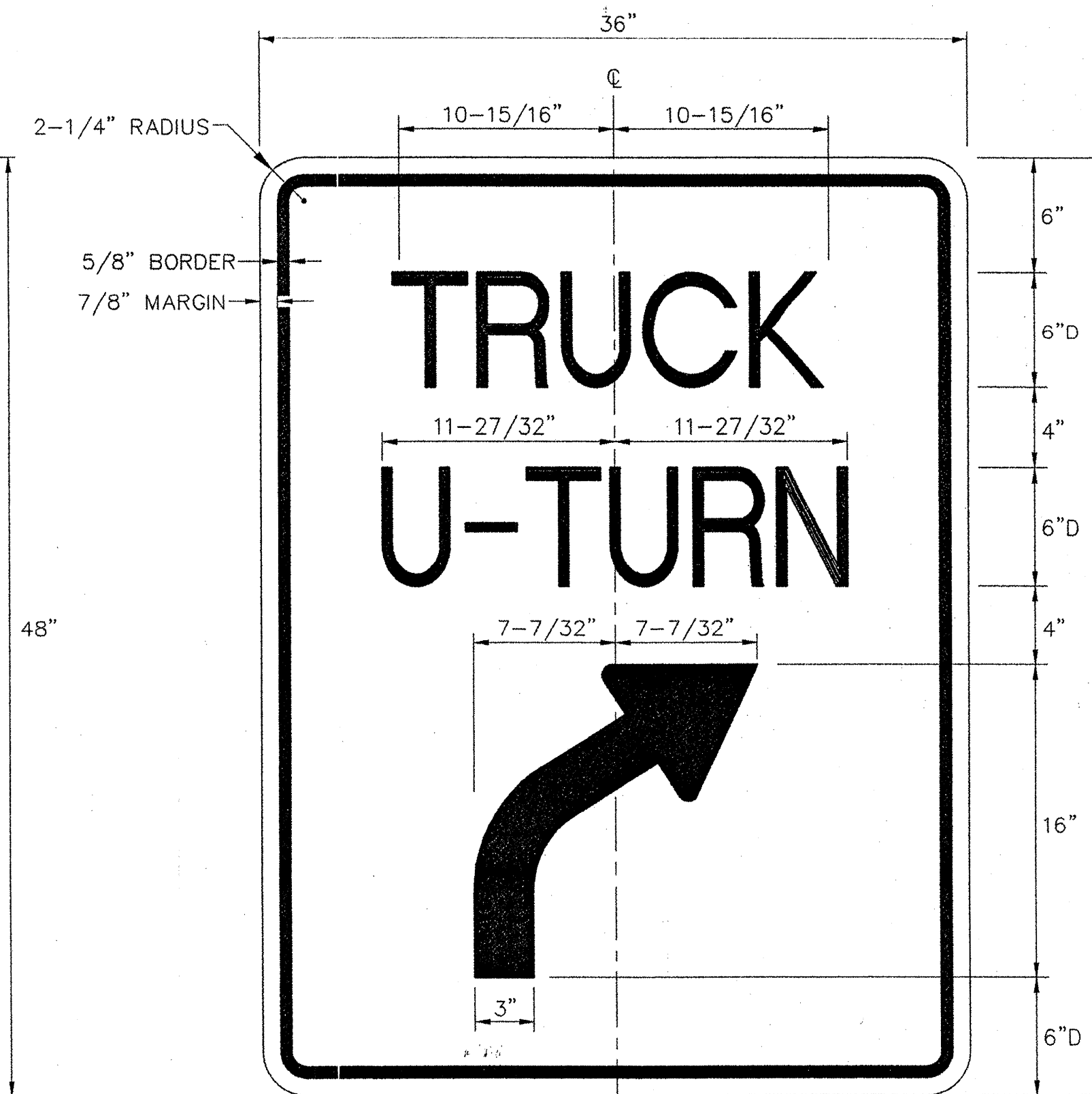
TRAFFIC SIGN DETAILS



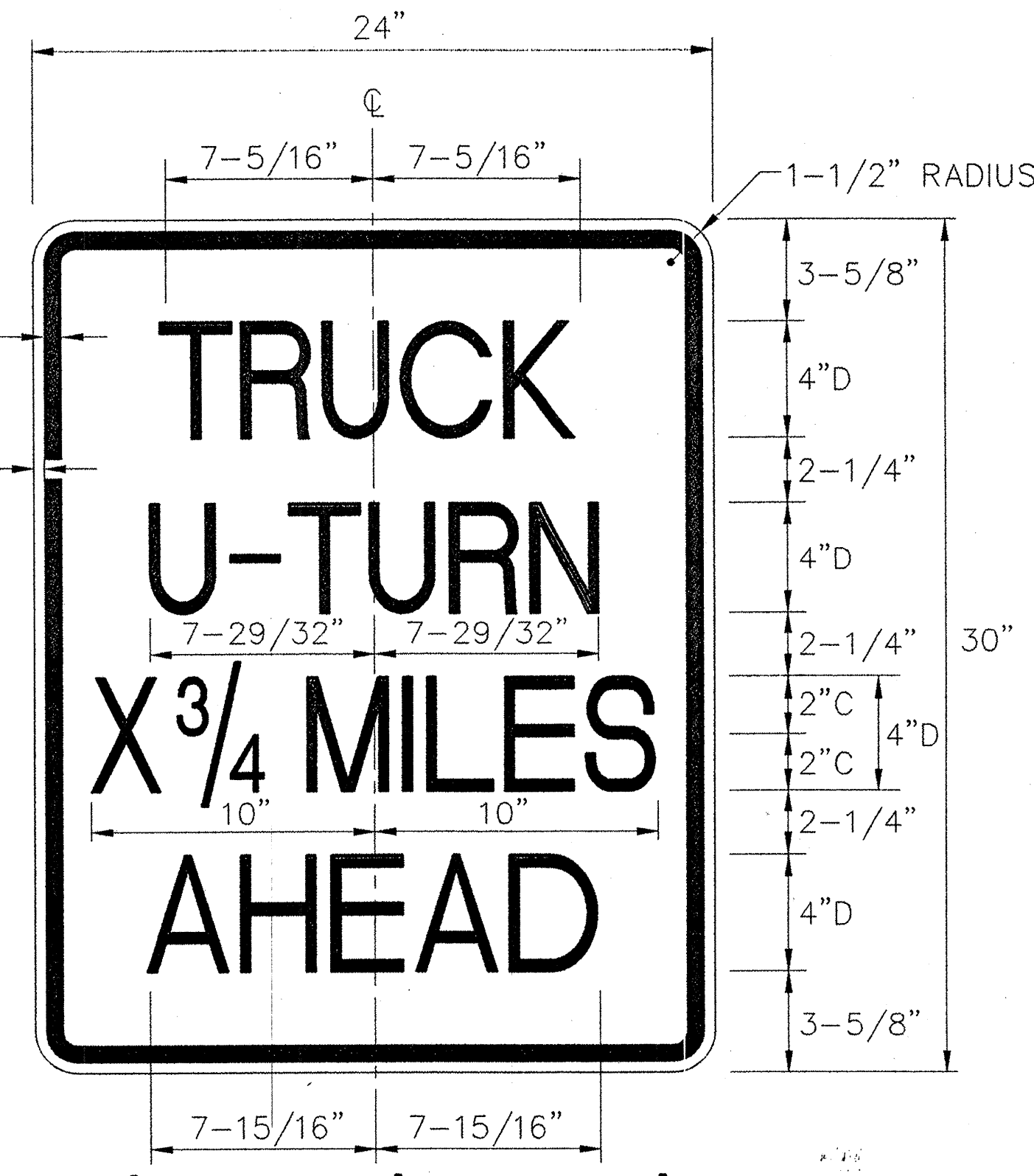
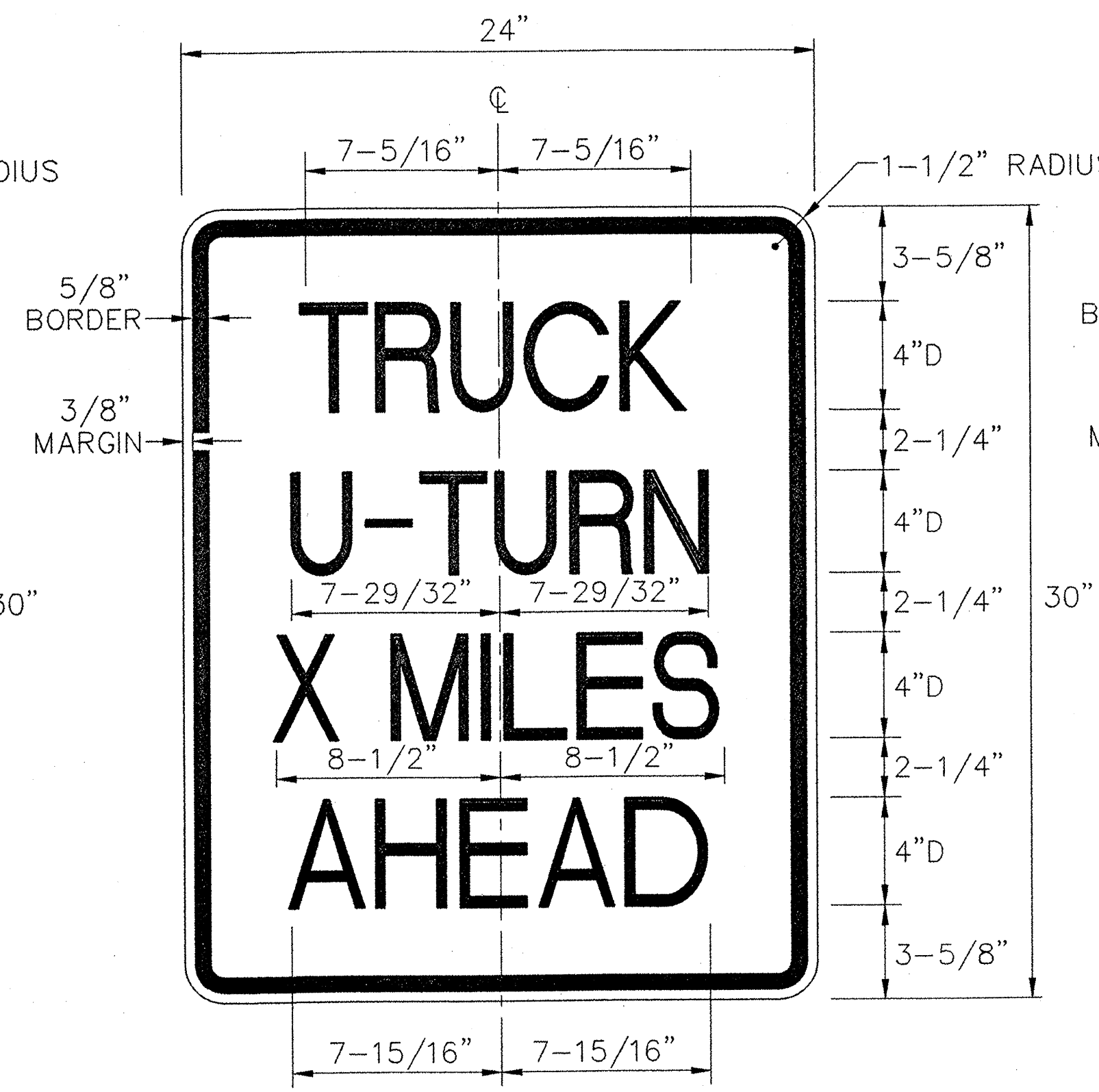
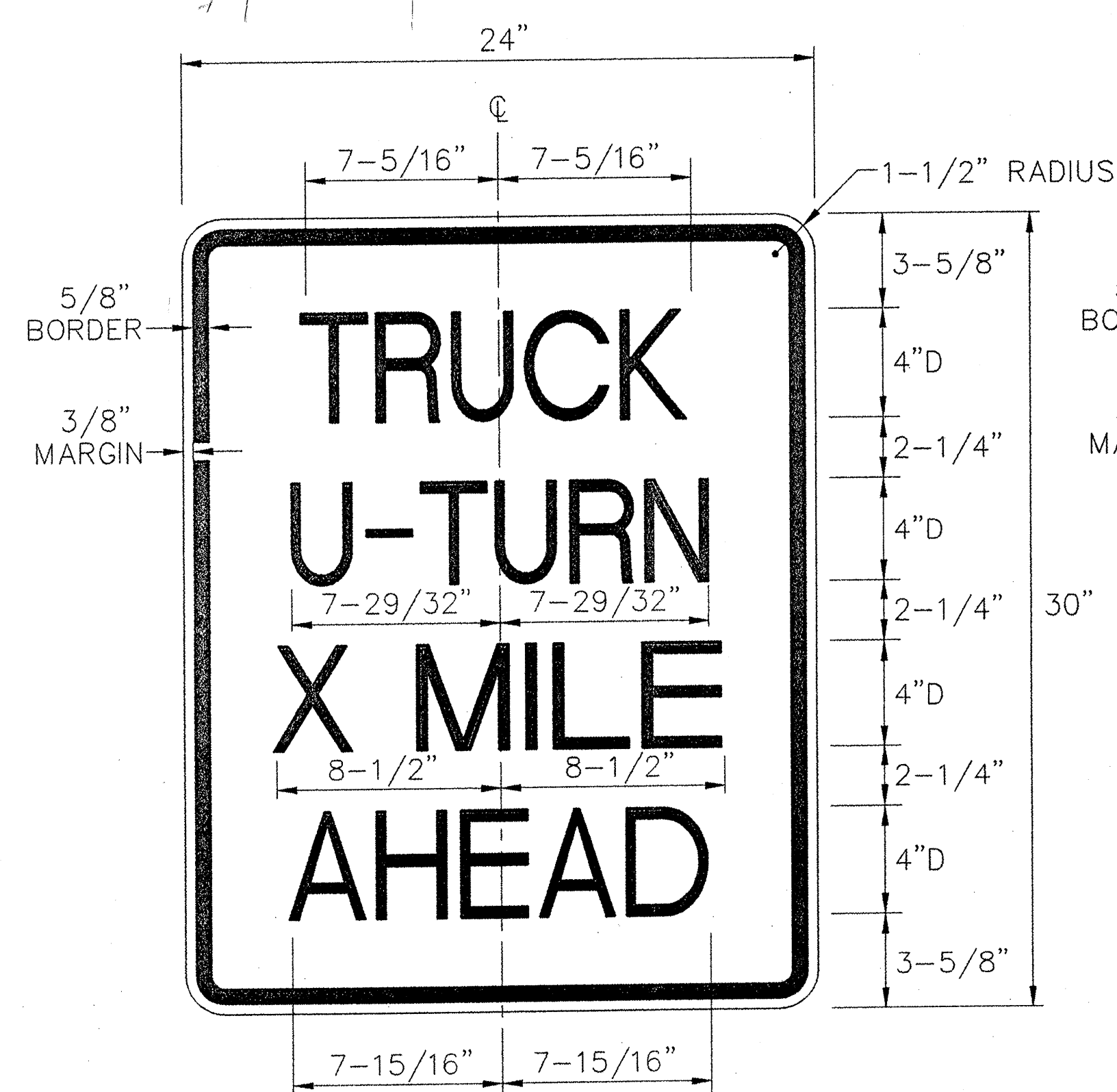
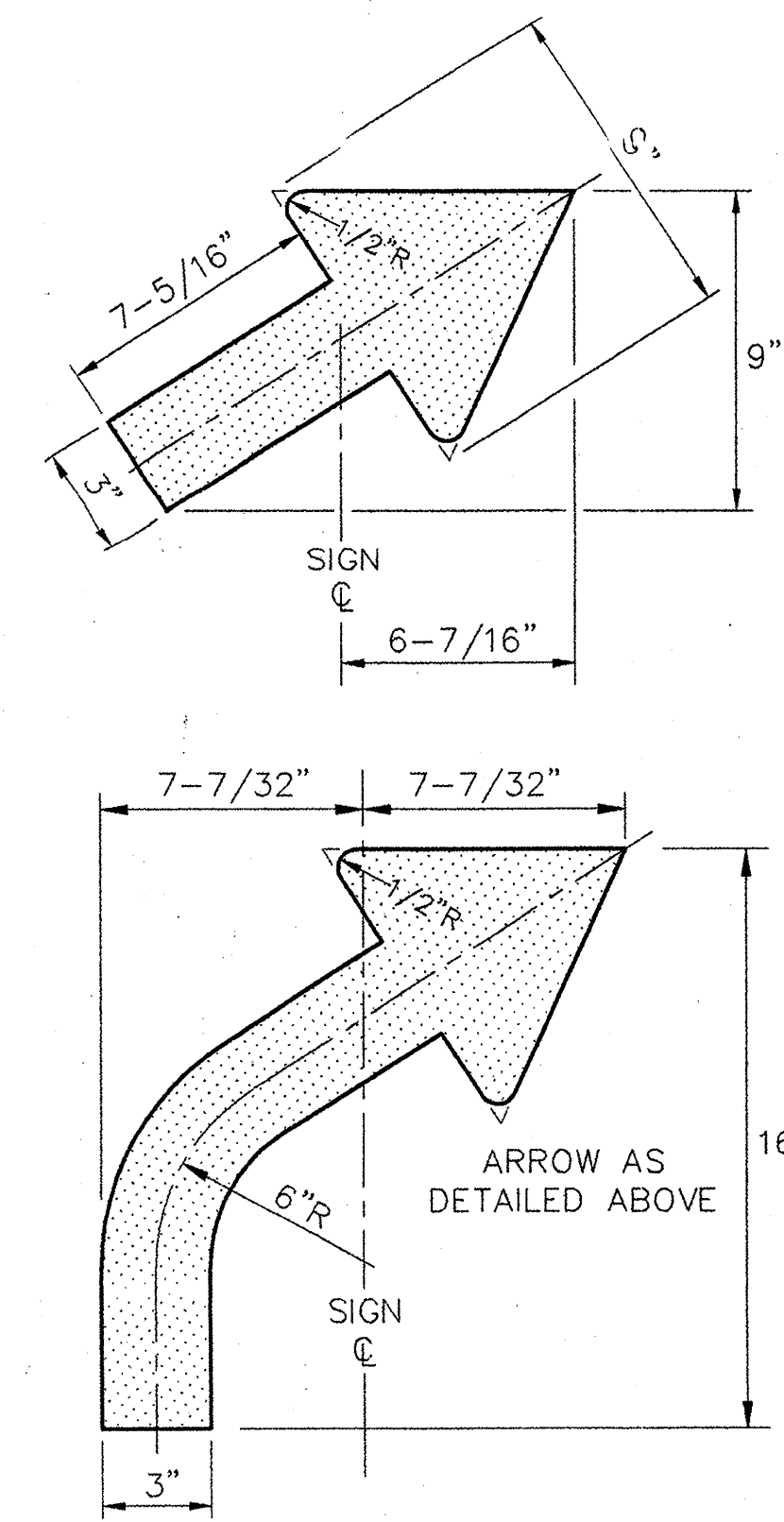
* REDUCE SPACING BY 16%



GORE SIGN



ADVANCE SIGN



$\frac{1}{4} - \frac{1}{2} - \frac{3}{4}$

COLORS:

THE REGULATORY SIGNS SHOWN ON THIS SHEET SHALL HAVE BLACK TEXT ON REFLECTORIZED WHITE BACKGROUND. THE COLORS SHALL CONFORM WITH THE COLORS ADOPTED BY THE AMERICAN ASSOCIATION OF STATE HIGHWAY AND TRANSPORTATION OFFICIALS AND APPROVED BY THE DEPARTMENT OF TRANSPORTATION, FEDERAL HIGHWAY ADMINISTRATION.

MATERIALS:

THE SIGN BASE MATERIALS USED FOR THE REGULATORY SIGNS SHOWN ON THIS SHEET MAY BE ANY OF THE FOLLOWING OF THE MINIMUM THICKNESSES NOTED.

	24" x 12"	36" x 48"
FLAT SHEET ALUMINUM	0.060"	0.080"
HIGH DENSITY OVERLAID PLYWOOD	1/2"	5/8"
GALVANIZED FLAT SHEET STEEL	18 GAGE	16 GAGE

THE REFLECTIVE MATERIAL FOR GROUND MOUNTED SIGNS SHALL BE FLAT TOP WHITE REFLECTIVE SHEETING APPLIED TO THE ENTIRE BACKGROUND OF THE SIGN.

WHEN MOUNTED OVERHEAD, ALL SIGNS SHALL HAVE ENCAPSULATED LENS REFLECTIVE SHEETING APPLIED TO THE ENTIRE BACKGROUND OF THE SIGN.

THE TEXT OF THE SIGNS MAY BE LETTERING FILM, SILK SCREENED OR HAND PAINTED. WHEN HAND PAINTED, POOR WORKMANSHIP SHALL BE CAUSE FOR REJECTION.

SPECIFICATIONS:

REGULATORY SIGNS SHALL MEET THE VERMONT STANDARD SPECIFICATIONS FOR "TRAFFIC SIGNS".

TEXT DESIGN:

LETTERS, DIGITS, ARROWS, SPACINGS, AND TEXT DIMENSIONS SHALL CONFORM WITH THE STANDARD ALPHABETS AND DESIGNS PRESCRIBED IN THE "MANUAL ON UNIFORM TRAFFIC CONTROL DEVICES".

DATUM
VERTICAL NGVD 1929
HORIZONTAL NAD 1927

SHELBURNE - SOUTH BURLINGTON

SURVEYED BY V.S.C. INC. DATE _____
DRAWN BY E.A.A. INC. DATE _____
TRACED BY E.A.A. INC. DATE _____

PROJECT NH-EGC-019-4(28)
TRAFFIC SIGN DETAIL DRAWING NO. 3
SHEET NO. 122 OF 283

4/4/03