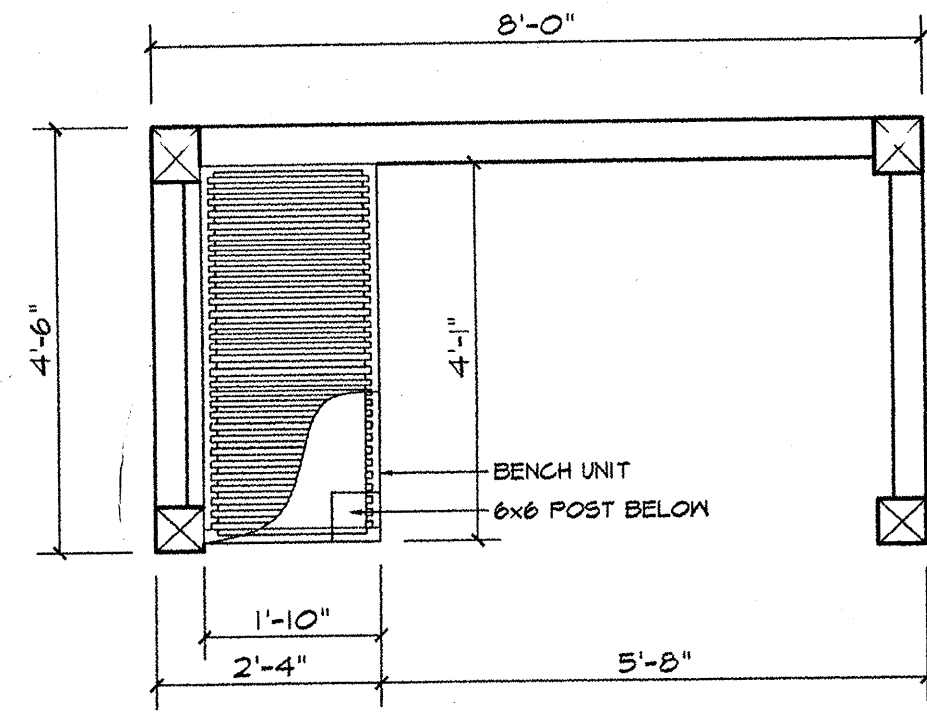
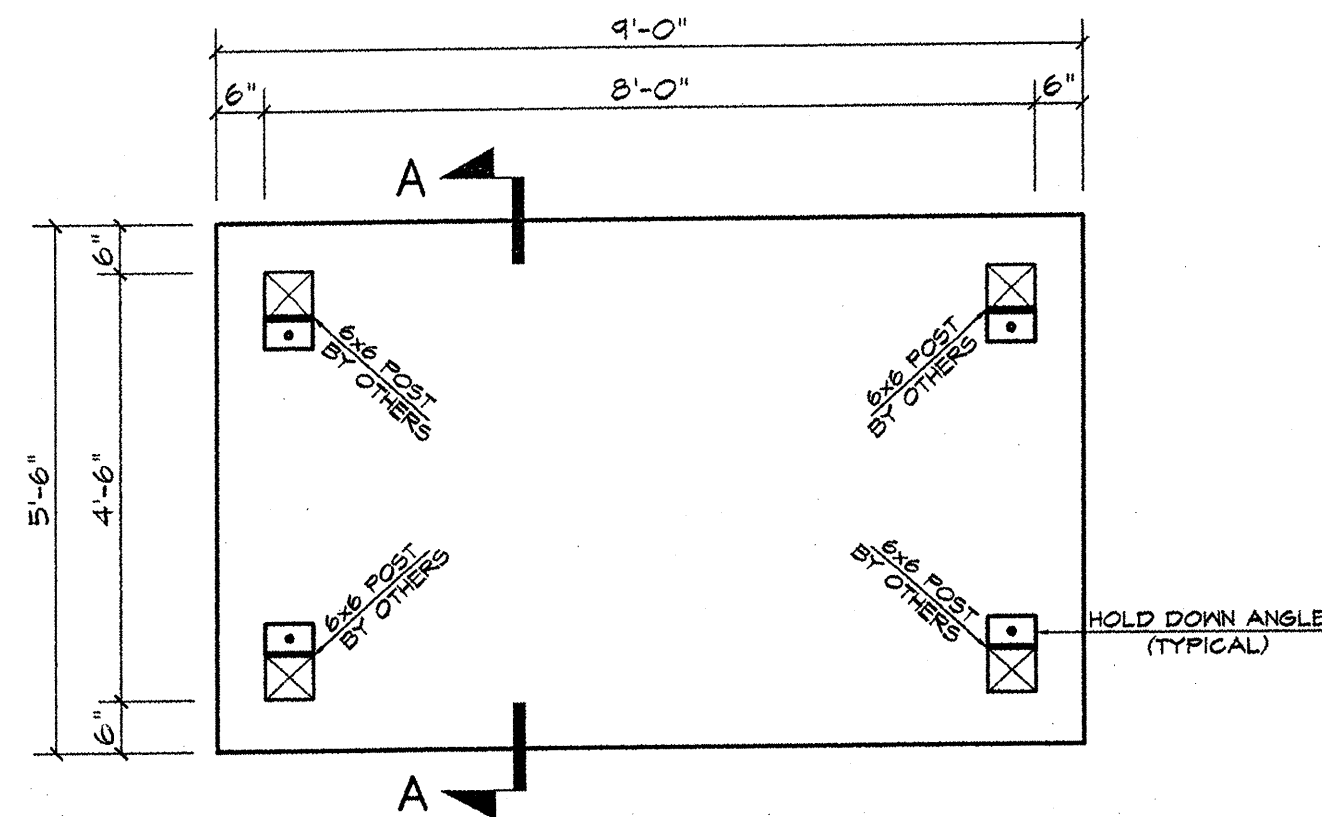


BUS SHELTER DETAILS

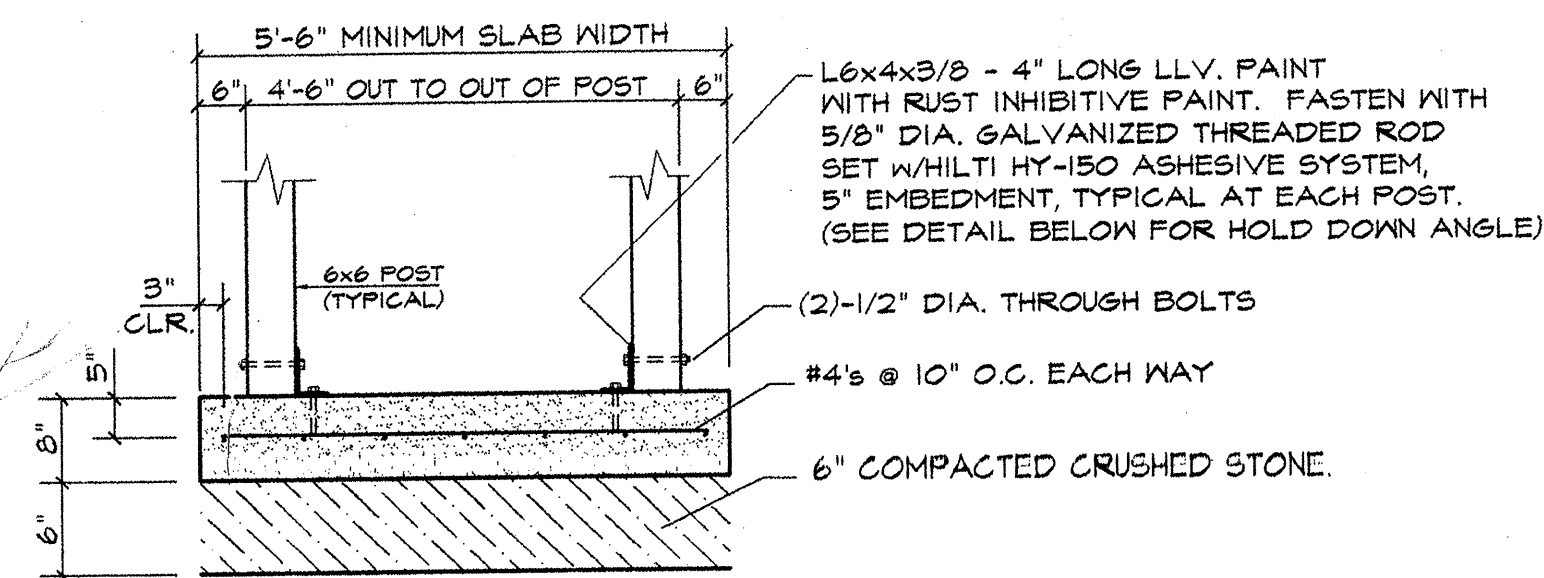


PLAN VIEW
SCALE: 1/2" = 1'-0"

NOTE:
BENCH IS REVERSIBLE - ORIENT
TO FACE ONCOMING TRAFFIC PER
SPECIFIC SITE PLAN(S).

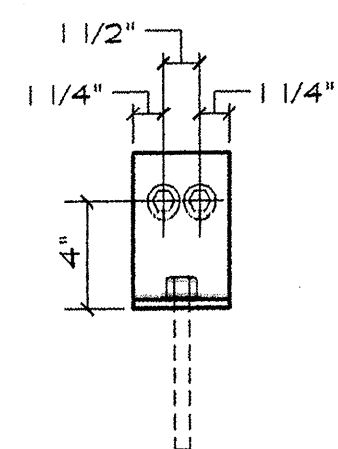


FOUNDATION PLAN
SCALE: 1/2" = 1'-0"

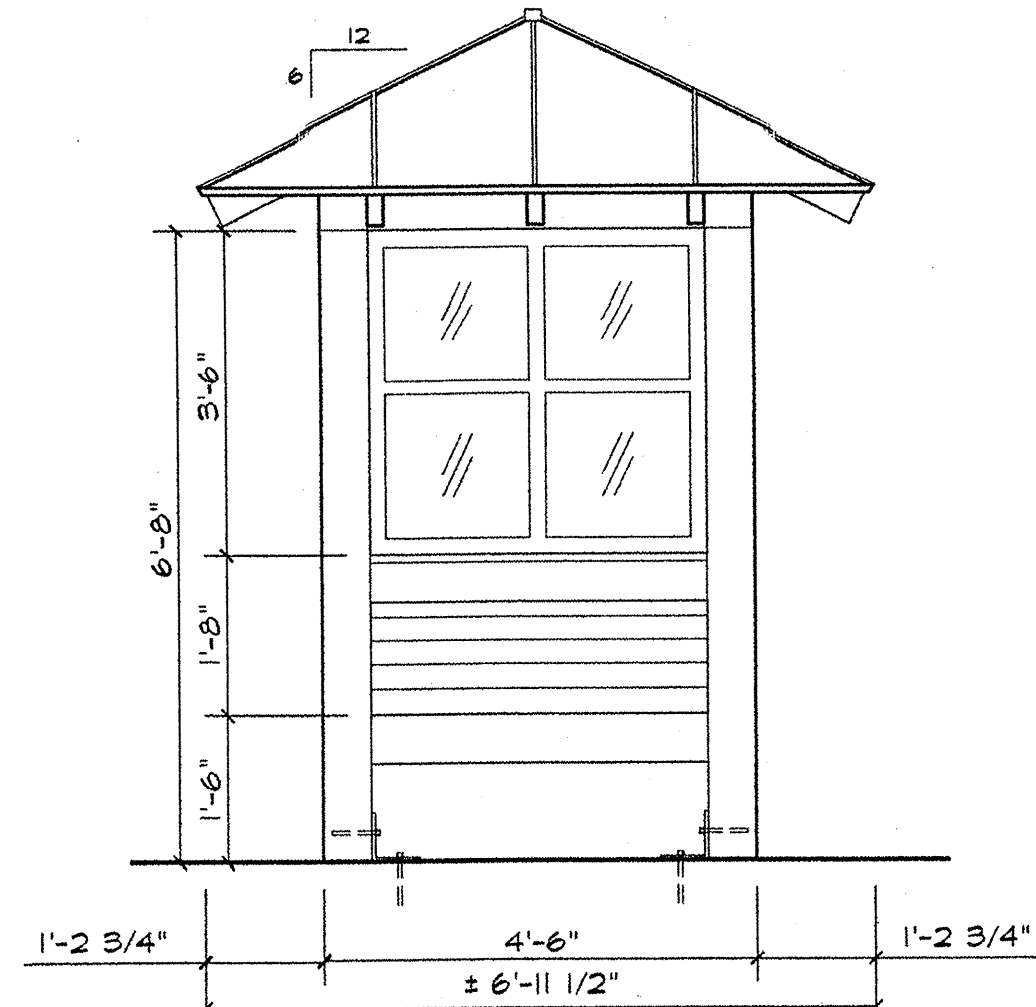


SECTION A-A
SCALE: N.T.S.

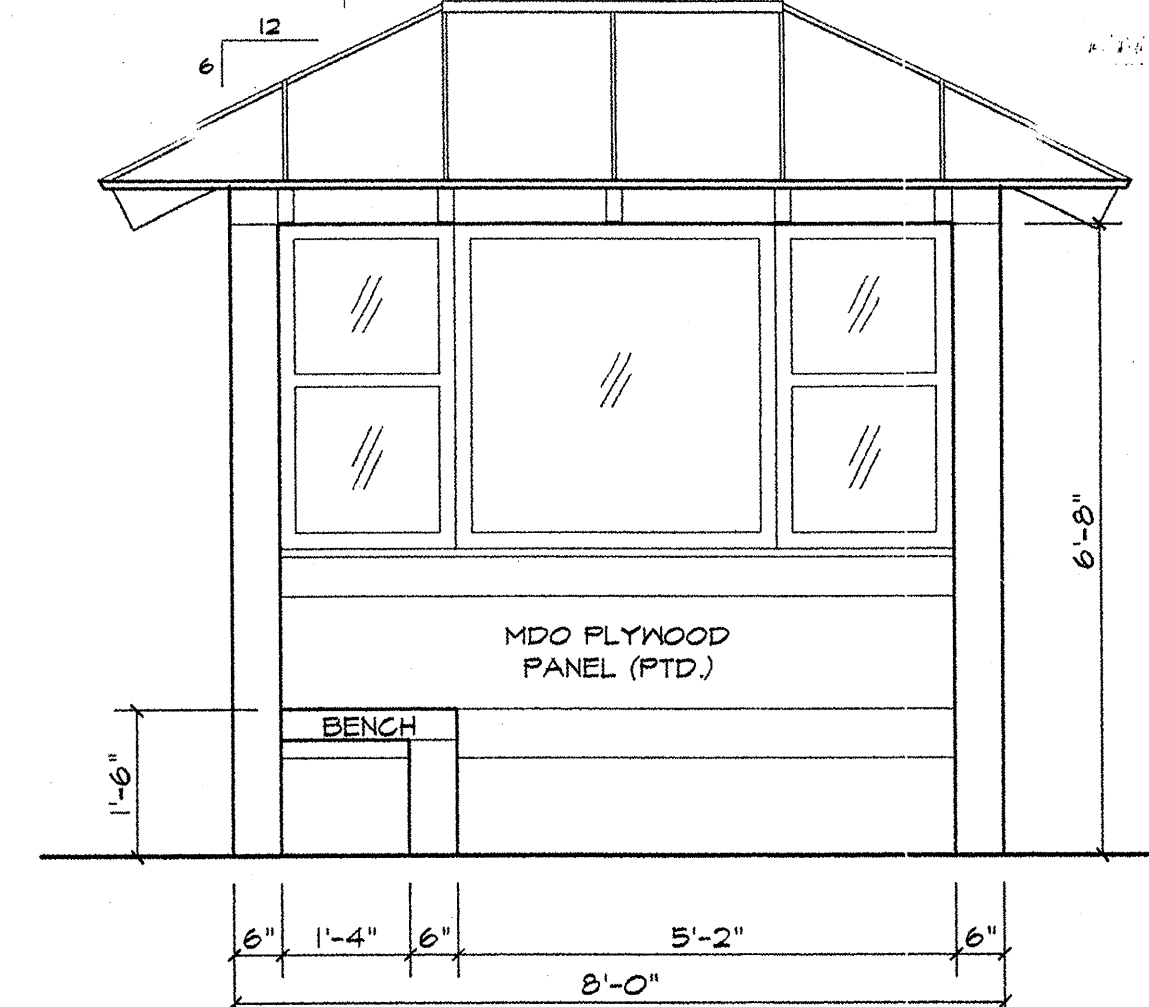
NOTE:
WHERE STANDING WATER, CLAY SOILS,
ORGANIC MATERIALS, FILL OR OTHER
UNSATURABLE BEARING MATERIALS ARE
ENCOUNTERED BELOW PROPOSED FOOTING,
CONTACT THE ENGINEER FOR ADDITIONAL
DIRECTION PRIOR TO PROCEEDING WITH
THE PLACEMENT OF CONCRETE.



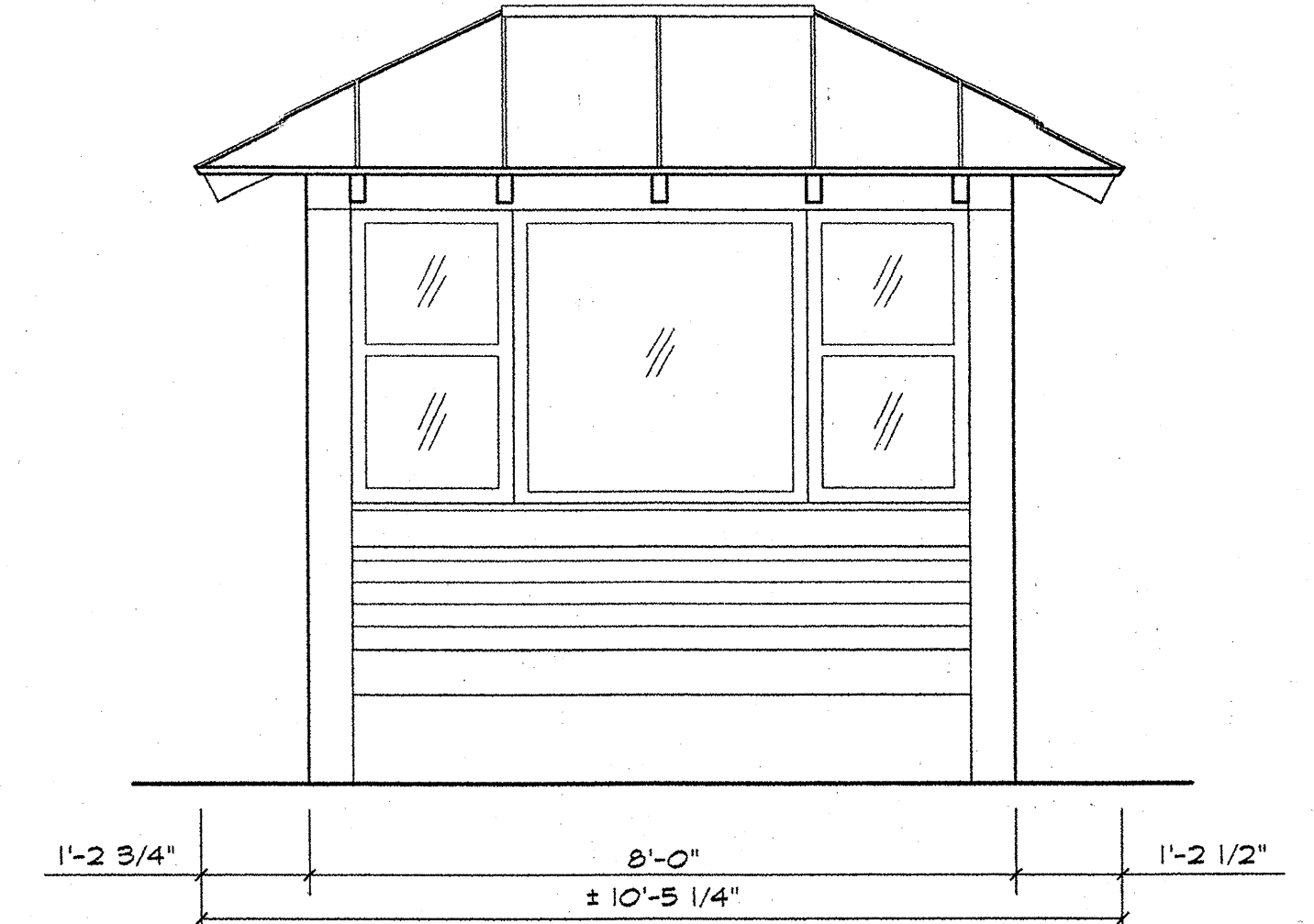
DETAIL - HOLD DOWN ANGLE
SCALE: 1 1/2" = 1'-0"



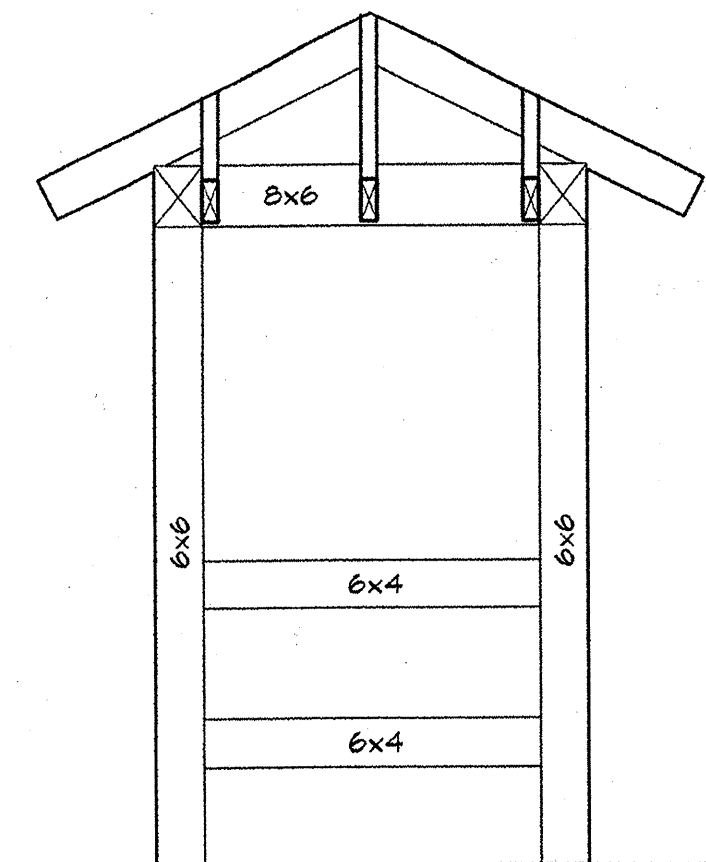
END ELEVATION (TYP.)
SCALE: 1/2" = 1'-0"



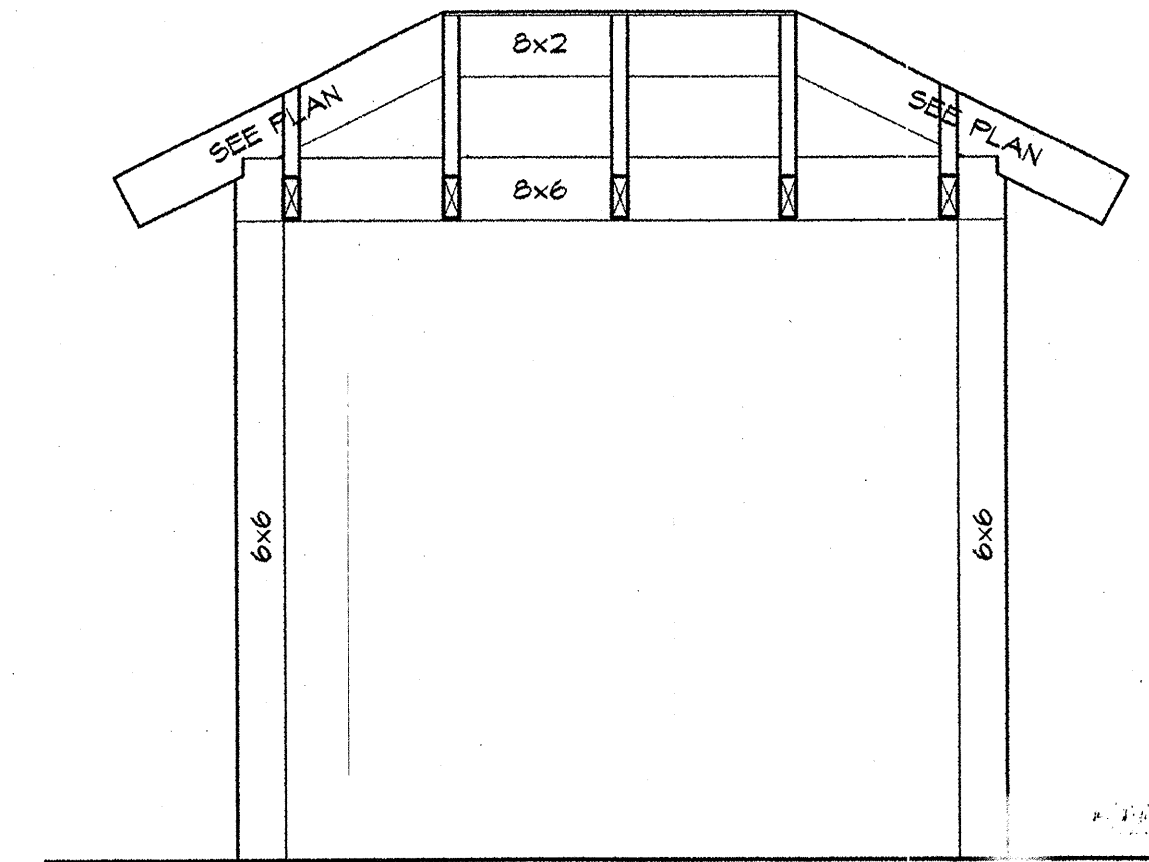
FRONT/INTERIOR ELEVATION
SCALE: 1/2" = 1'-0"



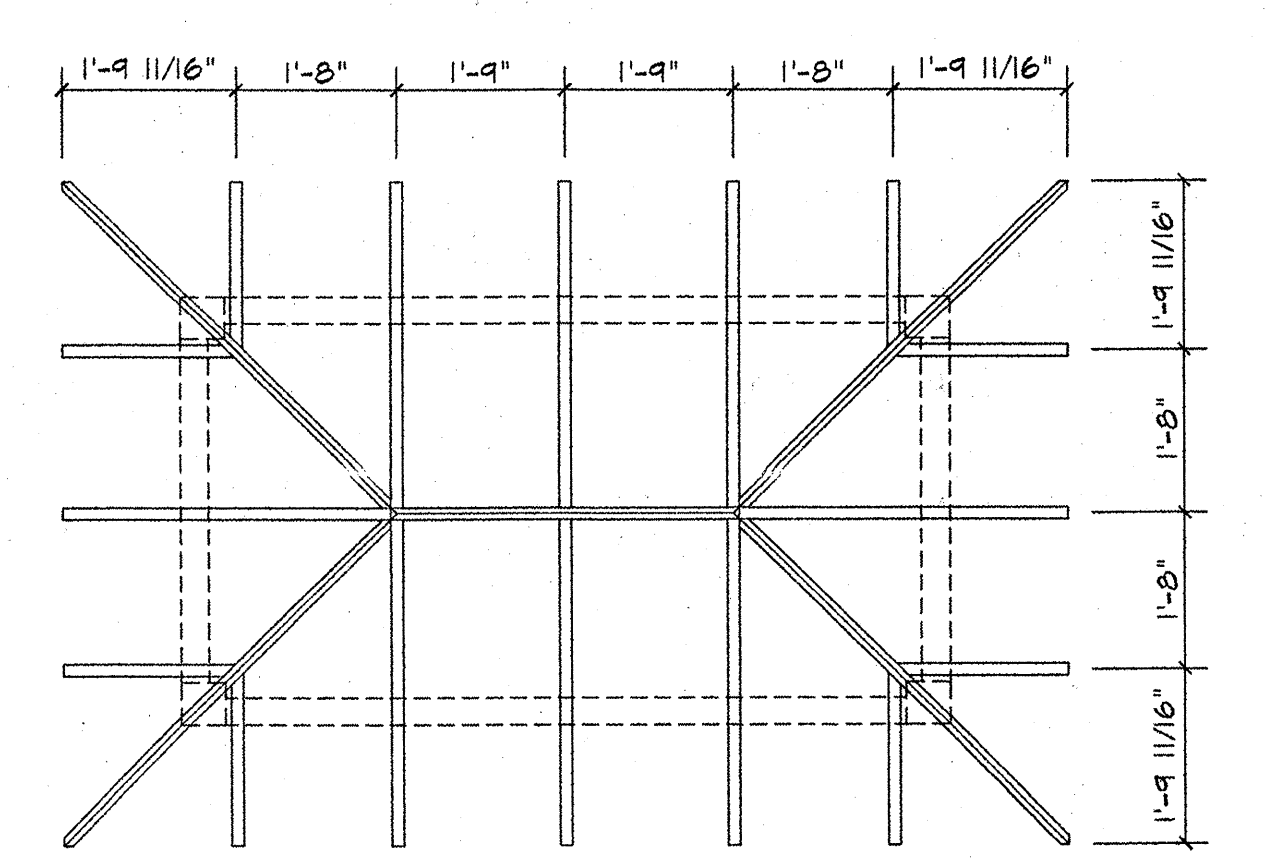
REAR ELEVATION
SCALE: 1/2" = 1'-0"



END FRAMING - ELEVATION
SCALE: 1/2" = 1'-0"

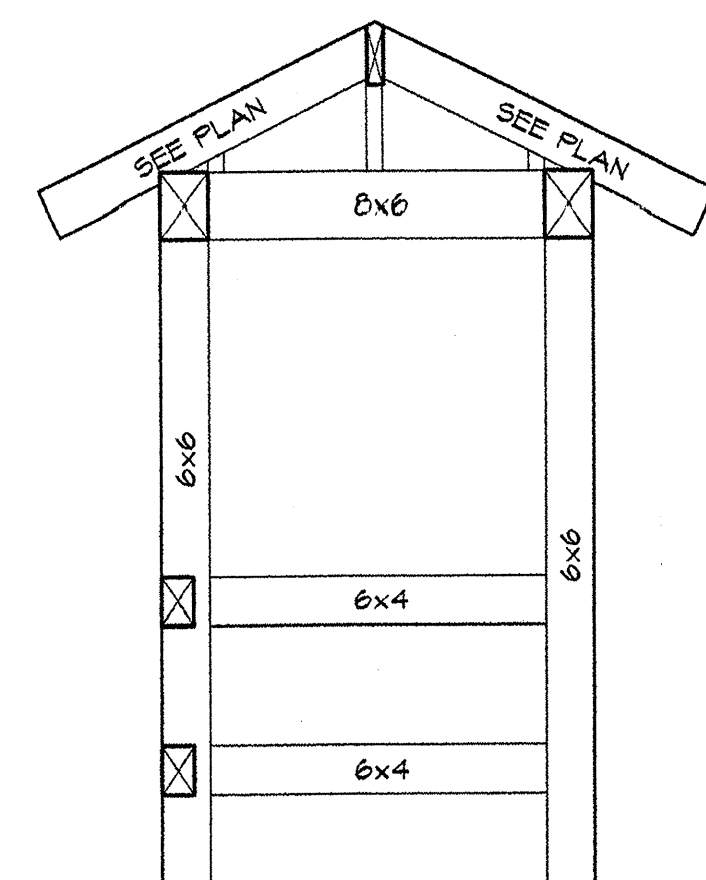


FRONT/REAR FRAMING - ELEVATION
SCALE: 1/2" = 1'-0"

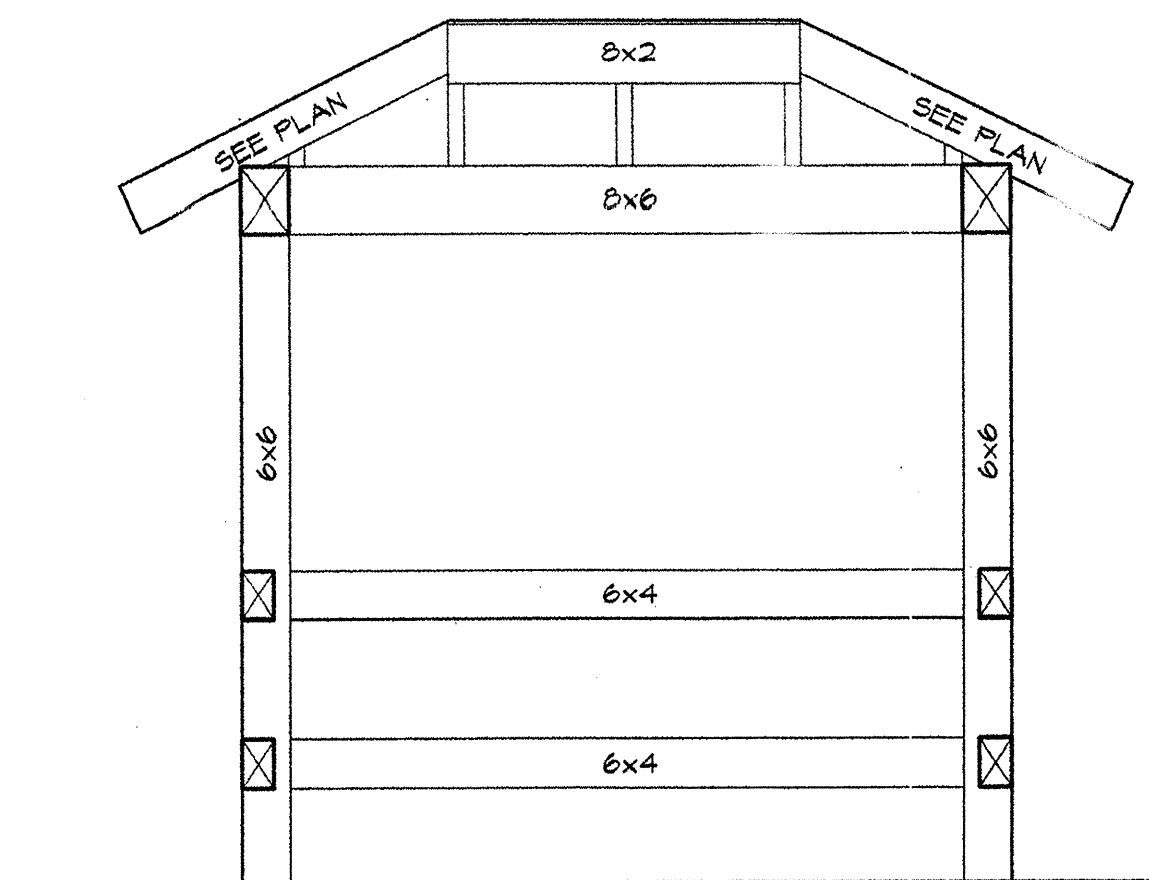


ROOF FRAMING
SCALE: 1/2" = 1'-0"

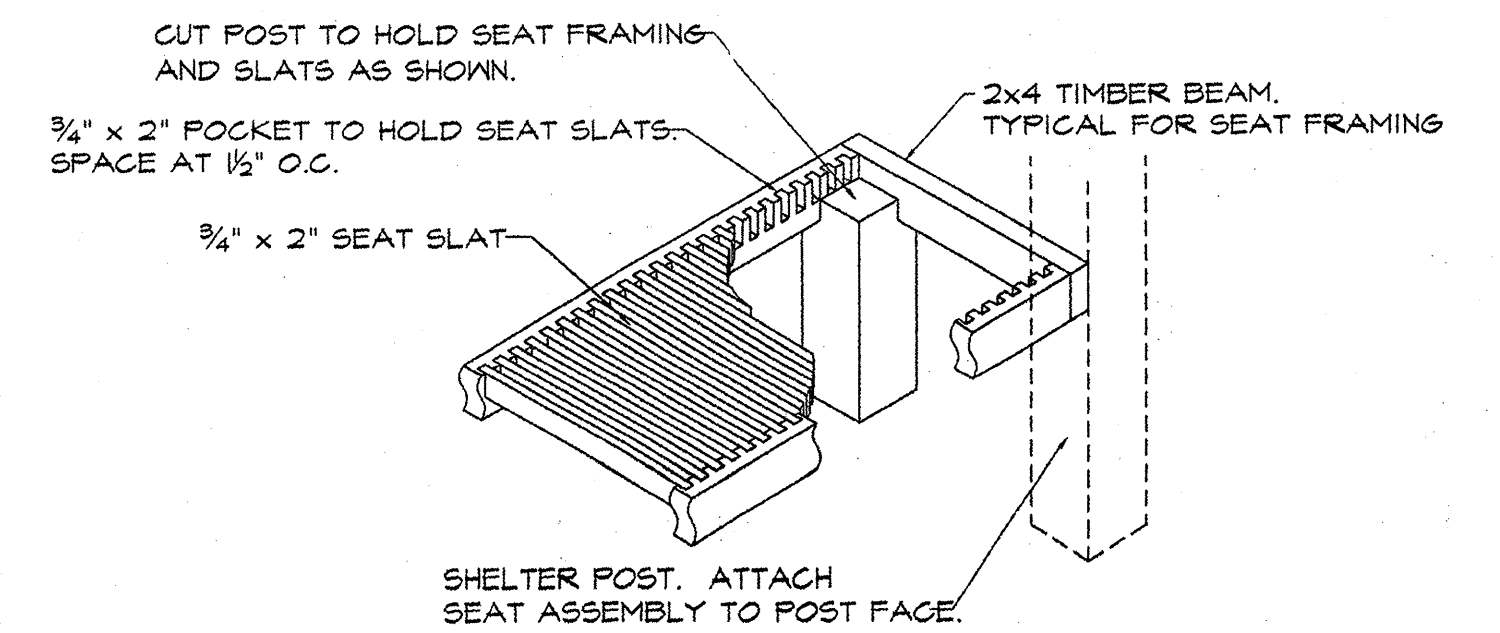
NOTES:
- JACK AND COMMON RAFTERS ARE 2x6
- HIP RAFTERS ARE 2x7
- RIDGE BEAM IS 2x8



END FRAMING - SECTION
SCALE: 1/2" = 1'-0"



FRONT/REAR FRAMING - SECTION
SCALE: 1/2" = 1'-0"



DETAIL - BENCH FRAMING
SCALE: 1" = 1'-0"

DATUM
VERTICAL NGVD 1929
HORIZONTAL NAD 1927

SHELburne - SOUTH BURLINGTON

SURVEYED BY V.S.C. INC. DATE _____
DRAWN BY E.A.A. INC. DATE _____
TRACED BY E.A.A. INC. DATE _____

PROJECT NH-EGC-019-4(28)
BUS SHELTER DETAIL DRAWING NO. 2
SHEET NO. 65 OF 283

4/4/03