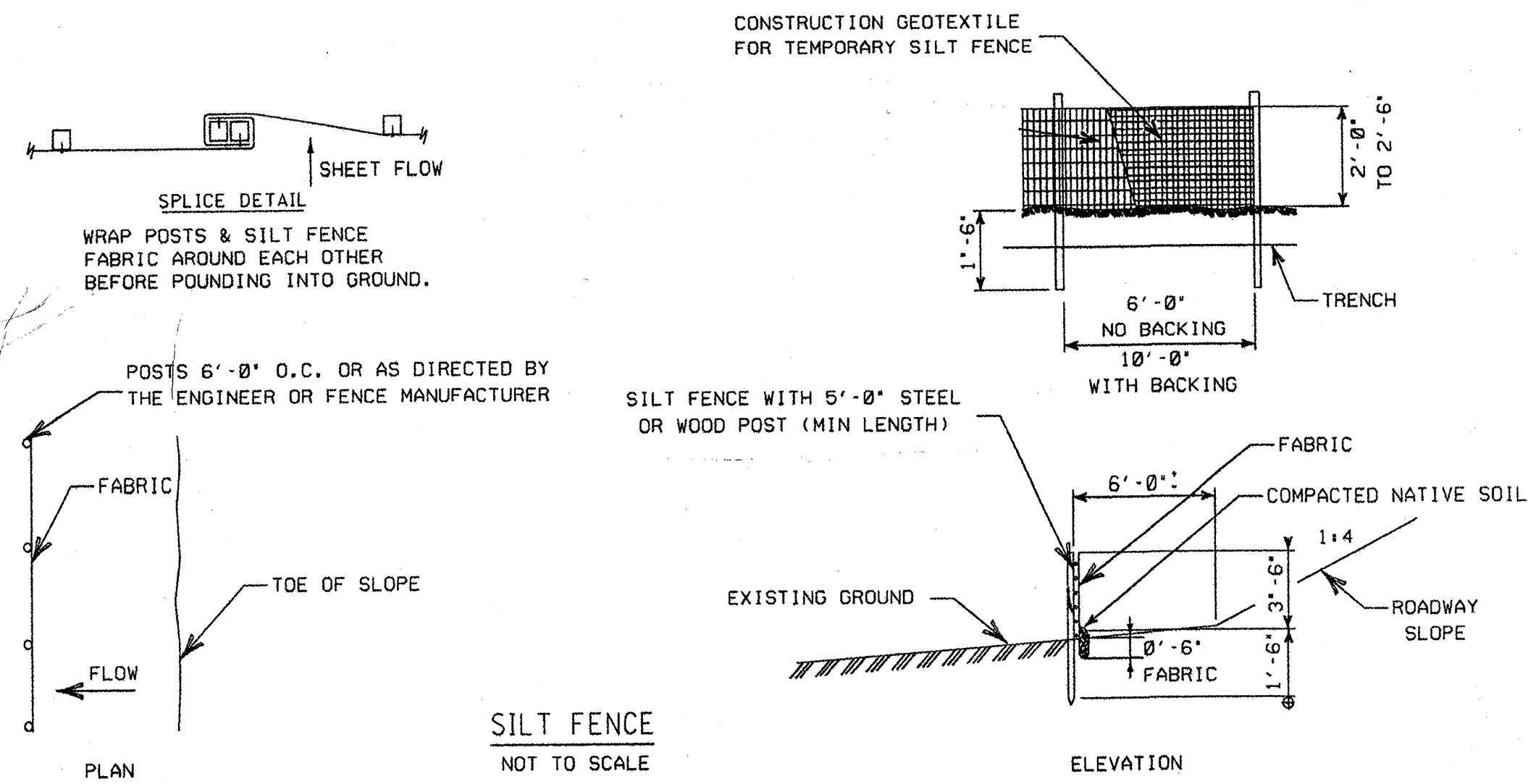


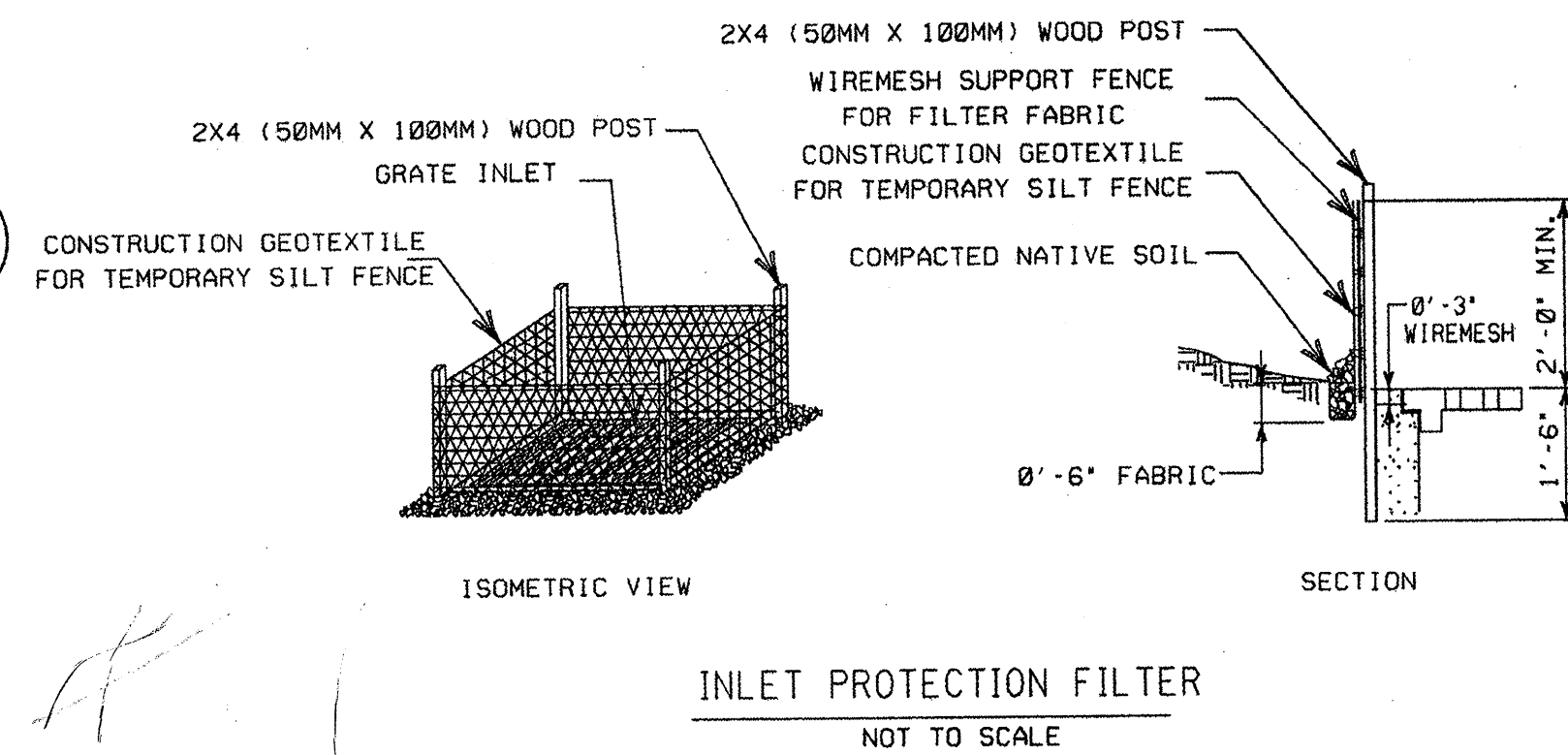
# EROSION CONTROL DETAILS

1



- NOTES:
- FILTER TO BE BURIED APPROXIMATELY 0'-6" INTO THE GROUND
  - FABRIC TO BE ATTACHED TO WIRE ON SLOPE SIDE.
  - CONTRACTOR WILL FURNISH COMMERCIALY AVAILABLE SILT FENCE THAT MEETS VAOT STANDARD SPECIFICATIONS FOR CONSTRUCTION
  - HAY BALES MAY BE USED AT ENGINEERS DISCRETION IN CONJUNCTION WITH THE SILT FENCE

2



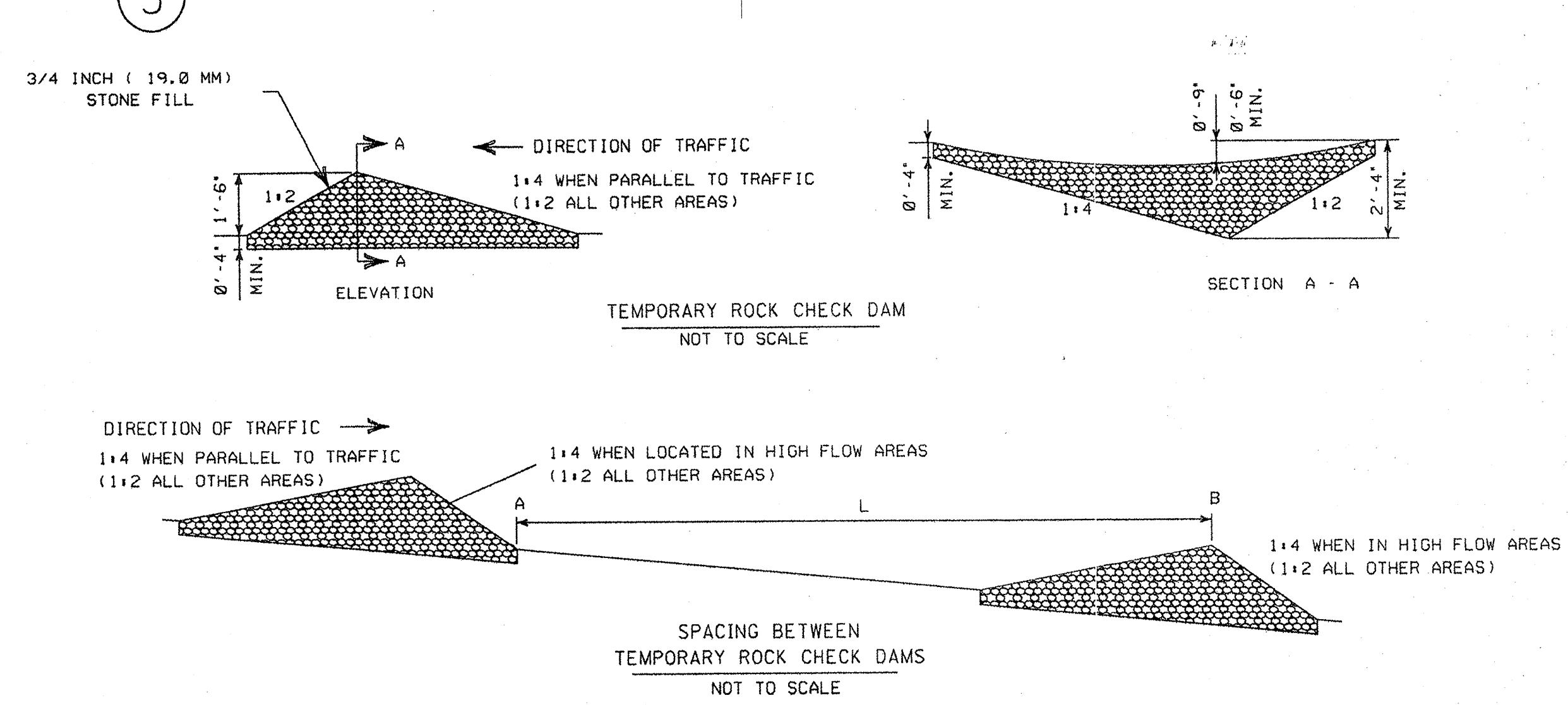
- NOTES:
- ALL INLETS TO BE ADEQUATELY PROTECTED IN ORDER TO PREVENT SEDIMENT FROM DISCHARGING INTO WATERS OF THE STATE.
  - TO ONLY BE USED IF LOCATED IN A LOW DRAINAGE POINT WHERE WATER WILL NOT PASS BY.

NOTES:

APPROPRIATE TEMPORARY MEASURES SHALL BE TAKEN TO ENSURE STABILITY DURING CONSTRUCTION IN DITCHES AND OTHER AREAS WHERE EROSION MAY OCCUR UNTIL SUCH TIME AS THE AREAS ARE PERMANENTLY STABILIZED. THIS MAY CONSIST OF STONE CHECK DAMS OR OTHER PRACTICES APPROVED BY THE RESIDENT ENGINEER WHICH FUNCTION TO PREVENT THE DISCHARGE OF SEDIMENT TO WATERS OF THE STATE.

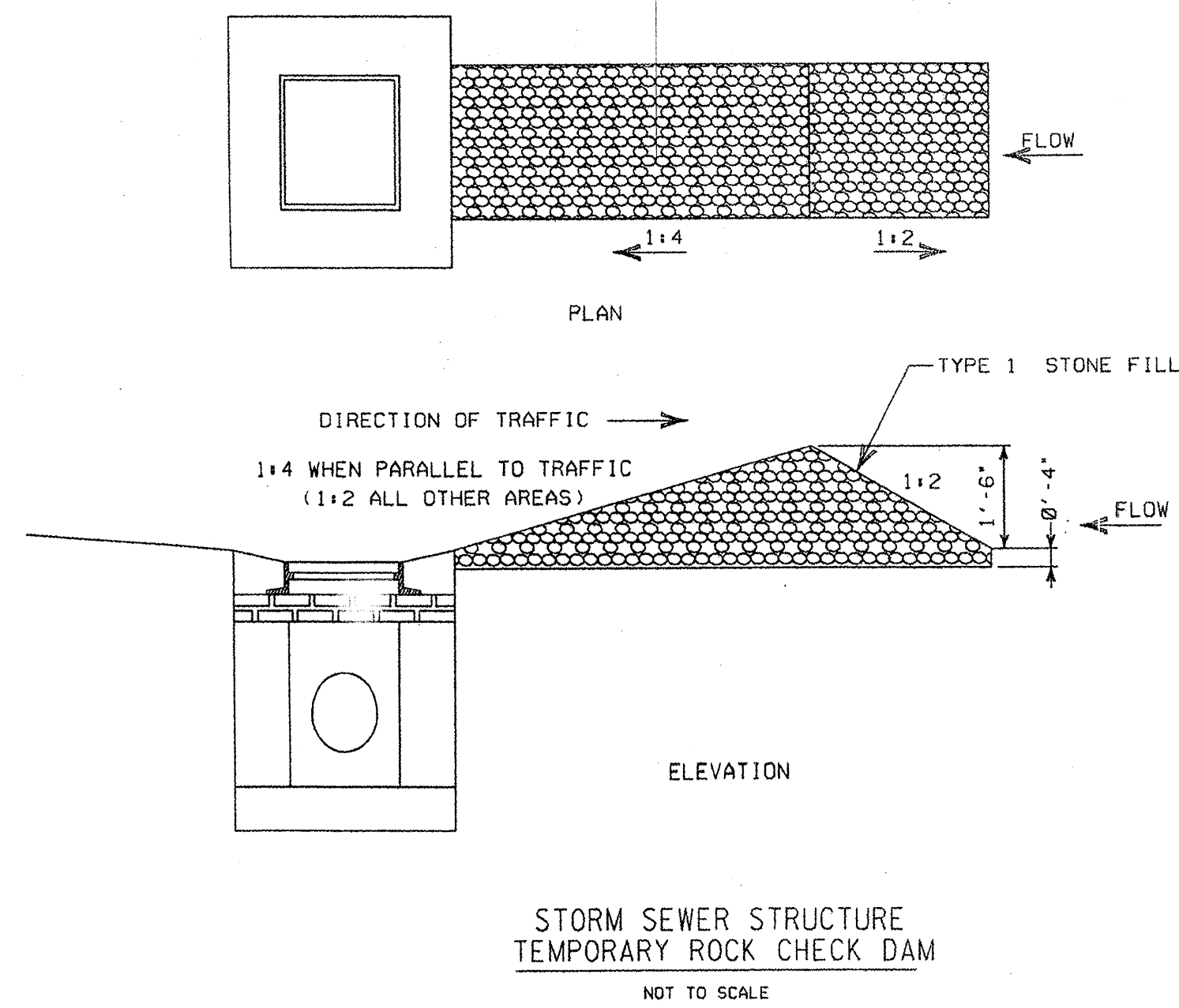
INLET PROTECTOR FILTER WILL BE PAID AS SILT FENCE. ALL FRAMING WILL BE INCLUDED IN THE BID PRICE FOR SILT FENCE

3



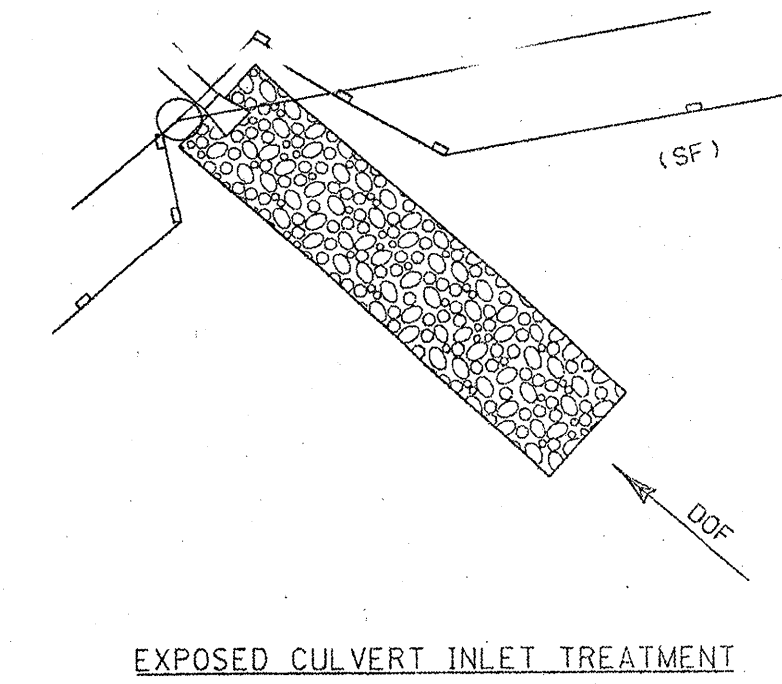
- NOTES:
- L - THE DISTANCE SUCH THAT POINTS A AND B ARE OF EQUAL ELEVATION
  - SEDIMENT SHOULD BE REMOVED IF DEPTH REACHES HALF THE ORIGINAL HEIGHT OF ROCK CHECK DAM.
  - ROCK CHECK DAMS SHOULD BE REMOVED AFTER PERMANENT VEGETATION HAS ESTABLISHED.
  - GEOTEXTILE SHOULD BE USED UNDERNEATH STONE TO IMPROVE STABILITY AND ASSIST IN REMOVAL.
  - LARGER STONE MAY BE REQUIRED FOR ROCK CHECK DAMS THAT ARE LOCATED ON STEEPER SLOPES. THIS STONE SHOULD BE PLACED ON THE DOWN STREAM HALF OF THE ROCK CHECK DAM FOR SUPPORT.

4

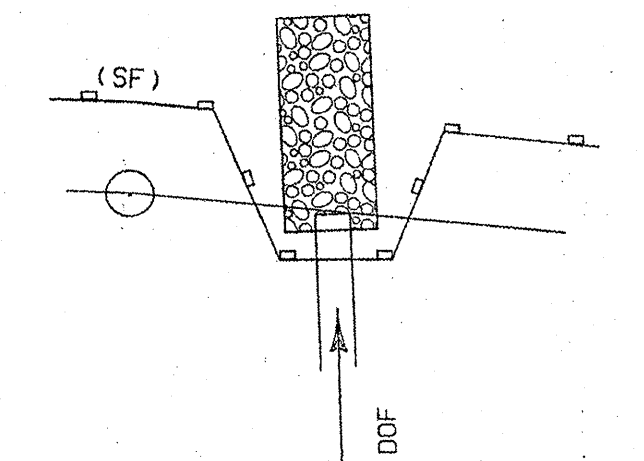


- NOTES:
- TO BE USED IN CONJUNCTION WITH OTHER INLET PROTECTION MEASURES.

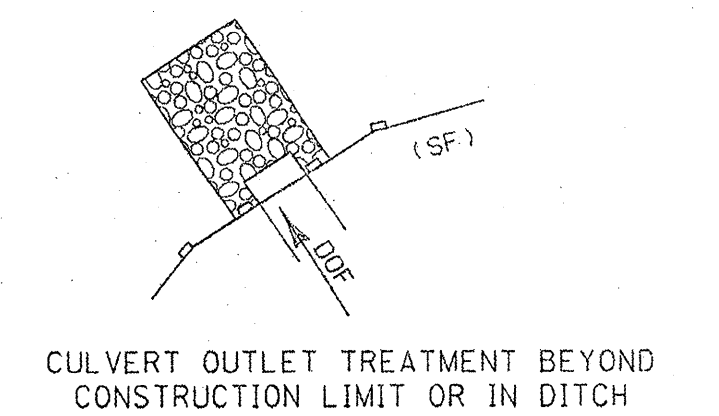
5



6



7



DATUM  
VERTICAL NGVD 1929  
HORIZONTAL NAD 1927

4/4/03

SHELburnE - SOUTH BURLINGTON

SURVEYED BY V.S.C. INC. DATE \_\_\_\_\_  
DRAWN BY F.A.A. INC. DATE \_\_\_\_\_  
TRACED BY F.A.A. INC. DATE \_\_\_\_\_

PROJECT NH-EGC-019-4(28)  
EROSION CONTROL DETAIL NO. 1  
SHEET 59 OF 283