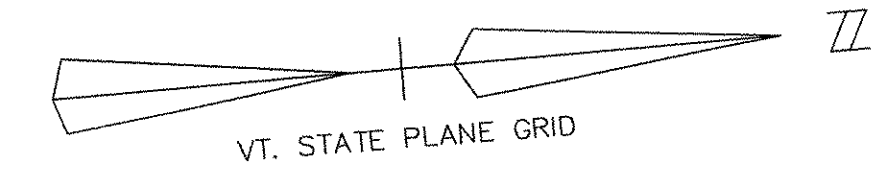


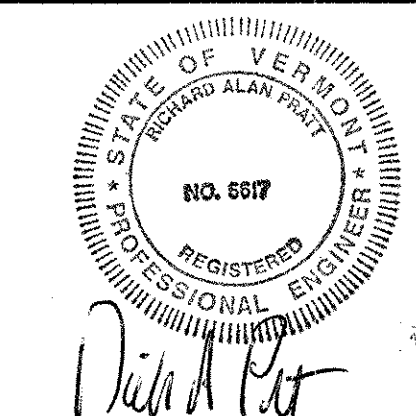
Dedicated to Quality
Water and Service



SCALE: 1" = 20'

REVISIONS

REV. #	DATE	BY



CONTRACT #63

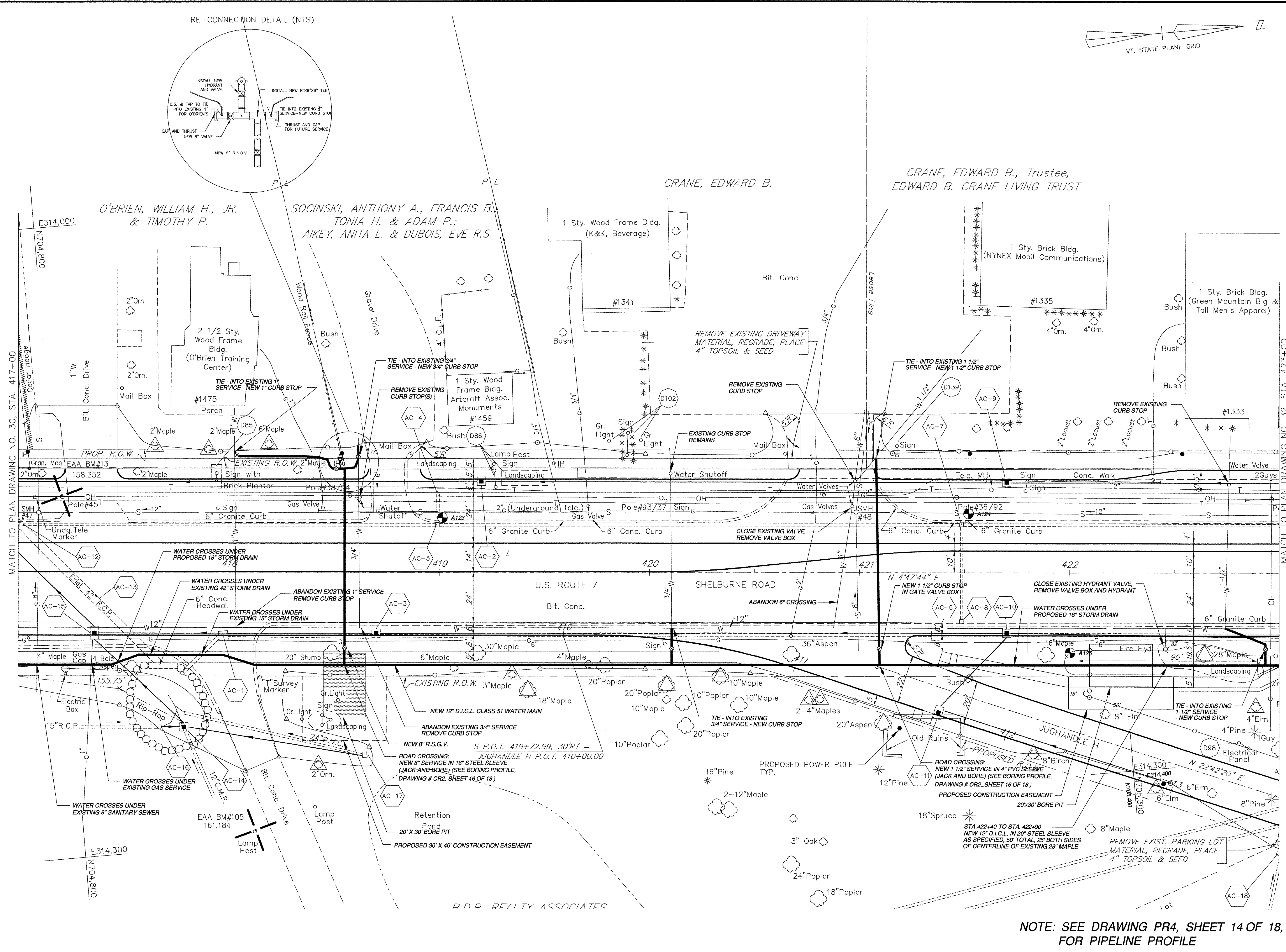
WATER MAIN RELOCATION
U.S. ROUTE 7
"SHELBURNE ROAD"

SOUTH BURLINGTON,
VERMONT

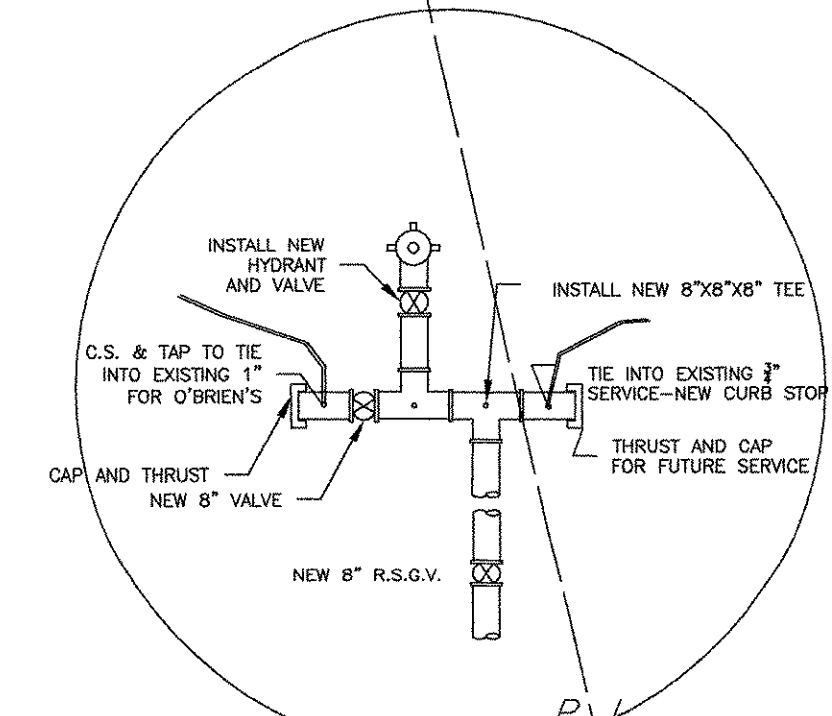
PLAN VIEW
STA. 417+00 TO 423+00

DATE:	APRIL, 2002
DESIGNED BY:	RAP
DRAWN BY:	EJP
CHECKED BY:	RAP
APPROVED BY:	RAP
FILE NAME:	2000C63-pl7(31)
SHEET	12 OF 18
DRAWING No.	

PL7
253 OF 283



RE-CONNECTION DETAIL (NTS)



NOTE: SEE DRAWING PR4, SHEET 14 OF 18,
FOR PIPELINE PROFILE