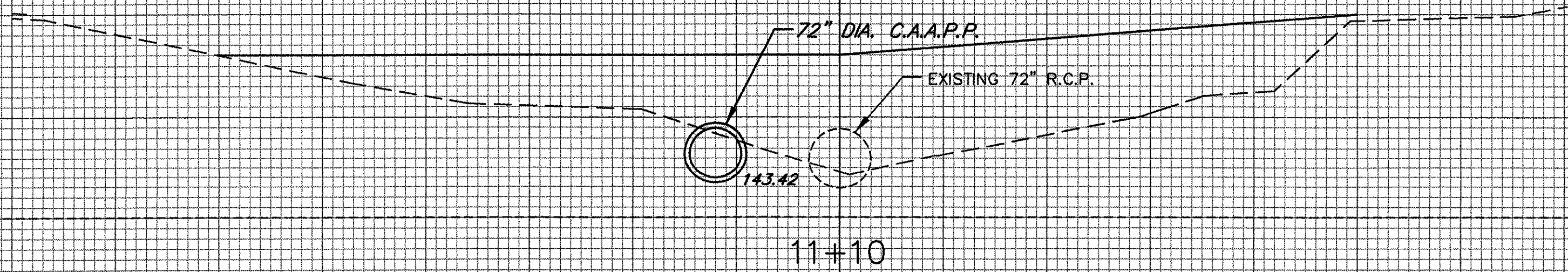
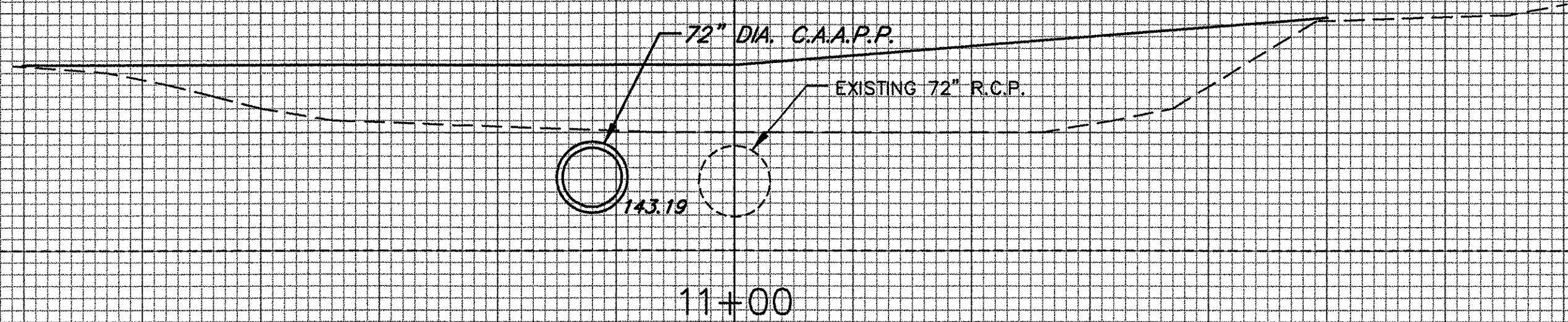


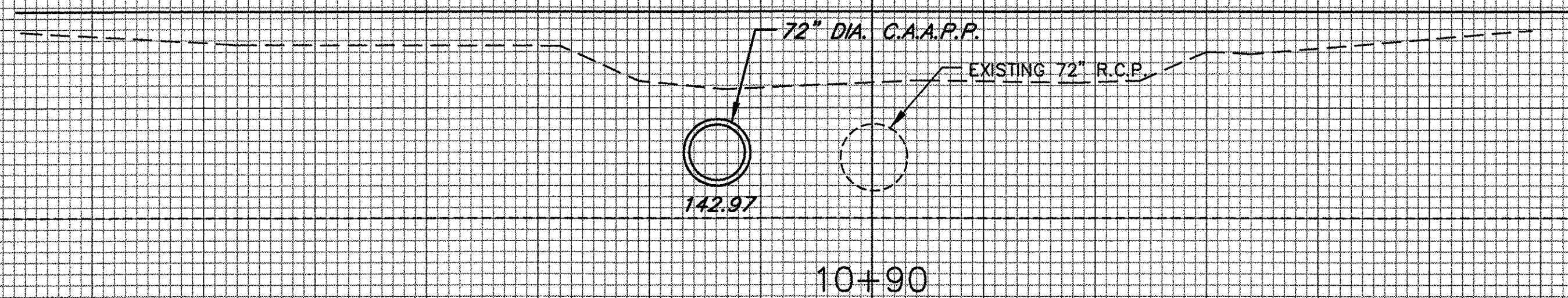
DATUM ELEV. = 140.0



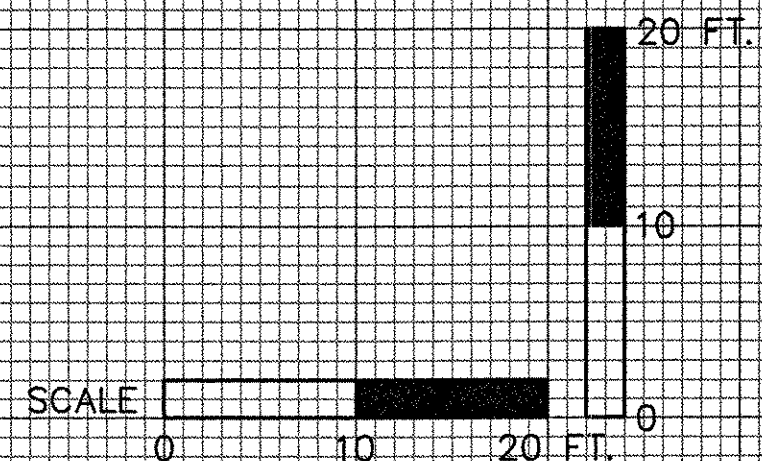
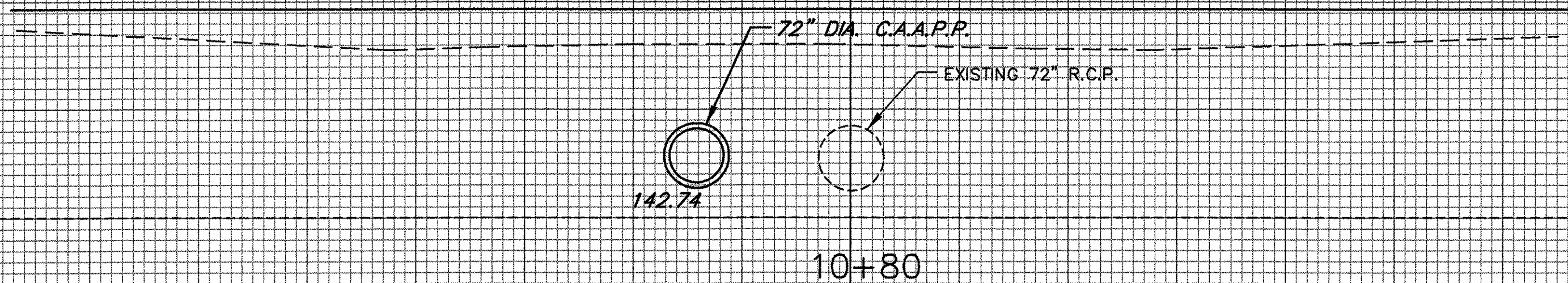
DATUM ELEV. = 140.0



DATUM ELEV. = 140.0



DATUM ELEV. = 140.0



BARTLETT BROOK CULVERT X-SECTIONS
 LOOKING UPSTREAM
 SHELburnE - SOUTH BURLINGTON
 STA. 10+80 TO STA. 11+10
 SURVEYED BY V.S.C. INC. DATE _____
 DRAWN BY E.A.A. INC. DATE _____
 TRACED BY E.A.A. INC. DATE _____
 PROJECT F-EGC-019-4(28)
 CROSS-SECTION DWG. NO. PC4
 SHEET 239 OF 283