

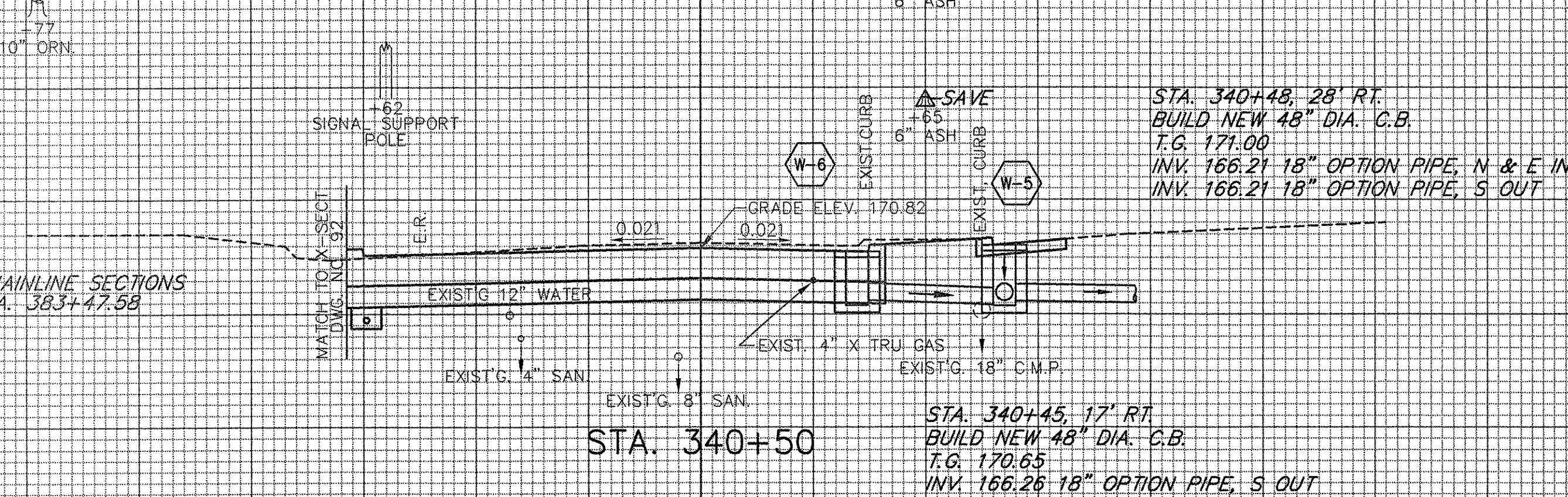
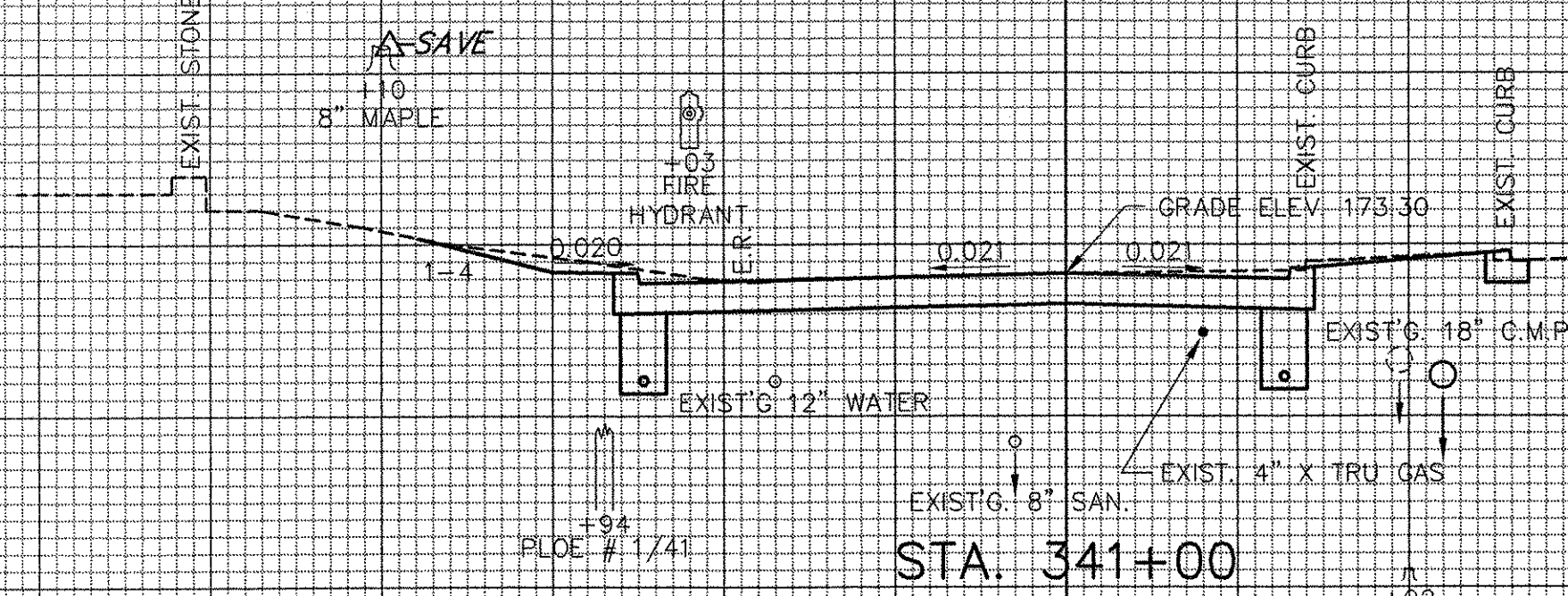
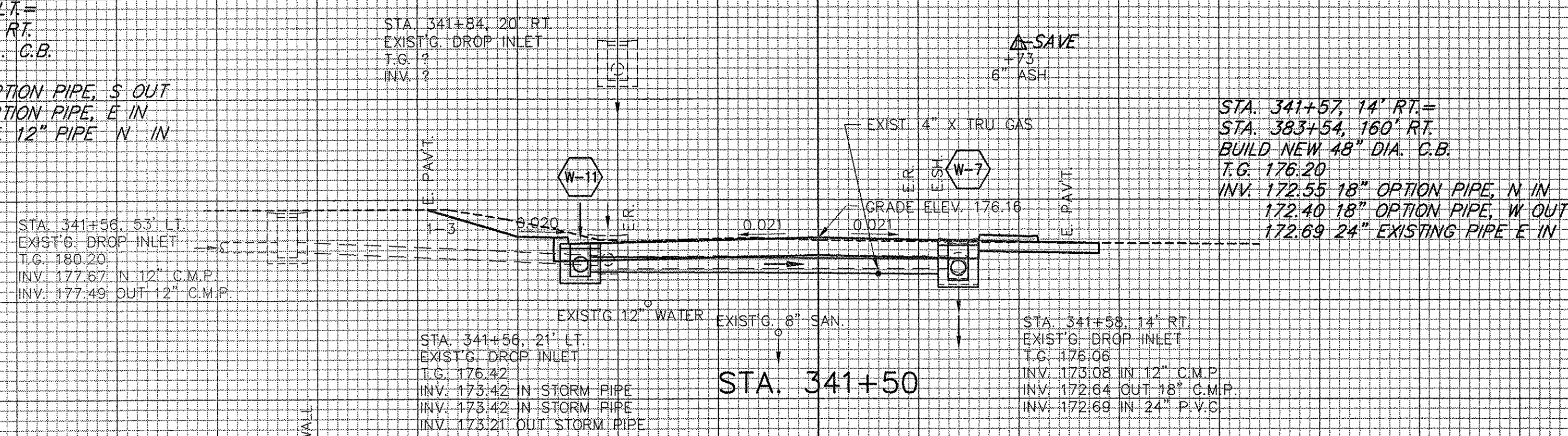
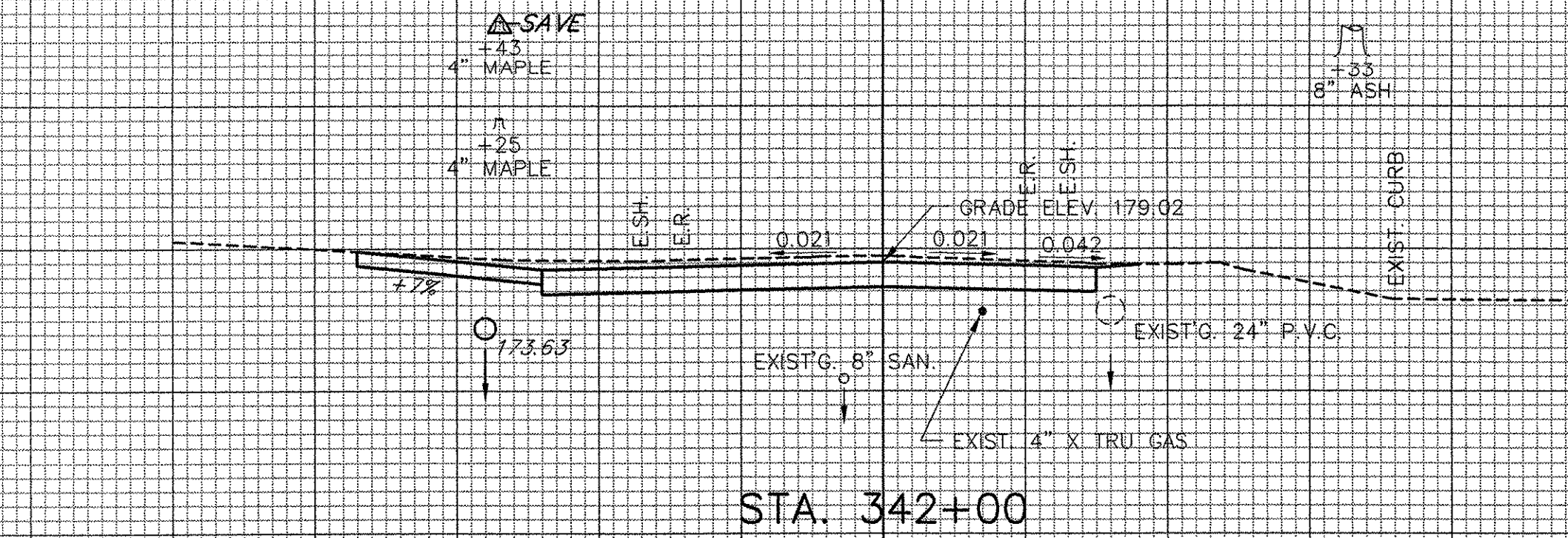
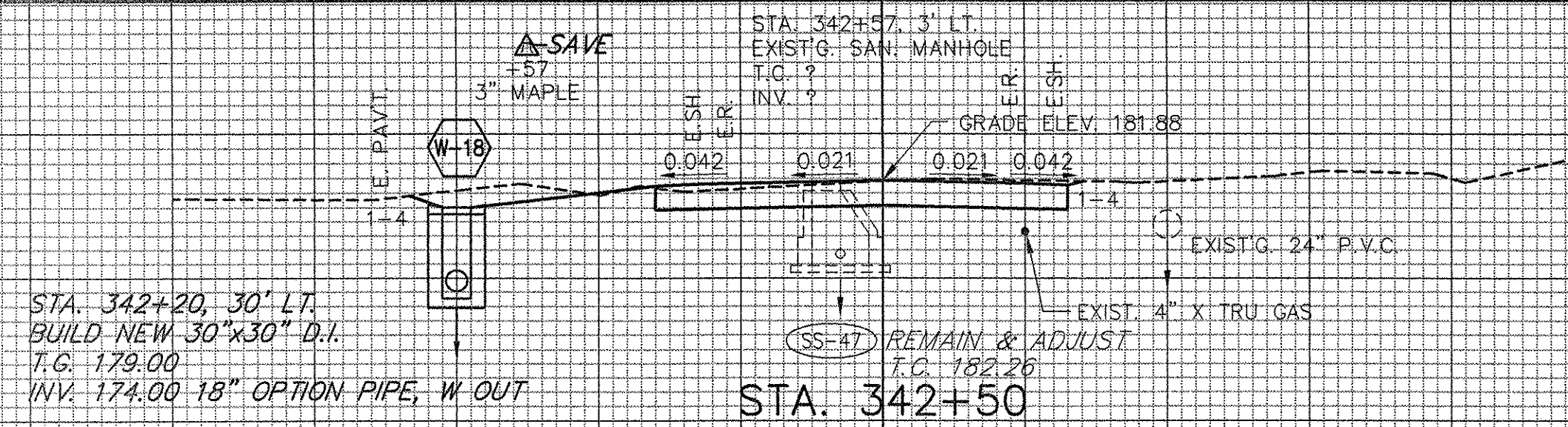
DATUM ELEV = 175.00

DATUM ELEV = 170.00

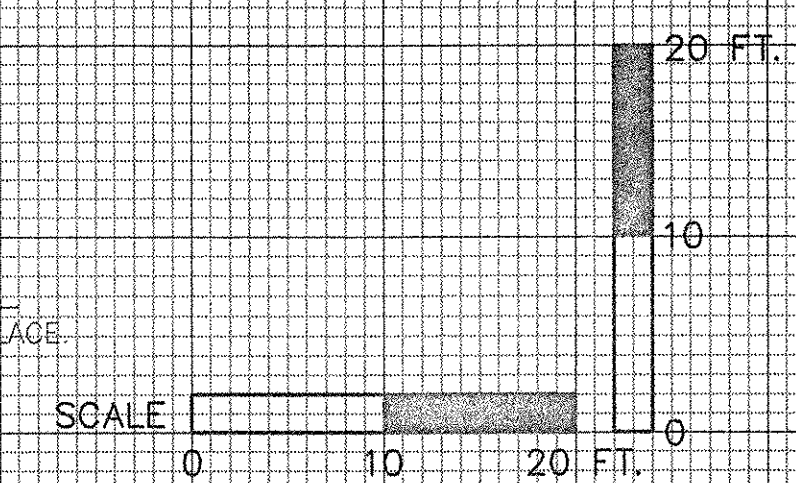
DATUM ELEV = 170.00

DATUM ELEV = 165.00

DATUM ELEV = 165.00



STA. 340+42 - 342+50 RT ALLEN ROAD
EXIST 4\"/>



ALLEN ROAD

SHELBURNE - SOUTH BURLINGTON

STA. 340+50 TO STA. 342+50

SURVEYED BY V.S.C. INC. DATE

DRAWN BY E.A.A. INC. DATE

TRACED BY E.A.A. INC. DATE

PROJECT NH-EGC-019-4(28)

CROSS-SECTION DWG. NO. 144

SHEET 216 OF 283