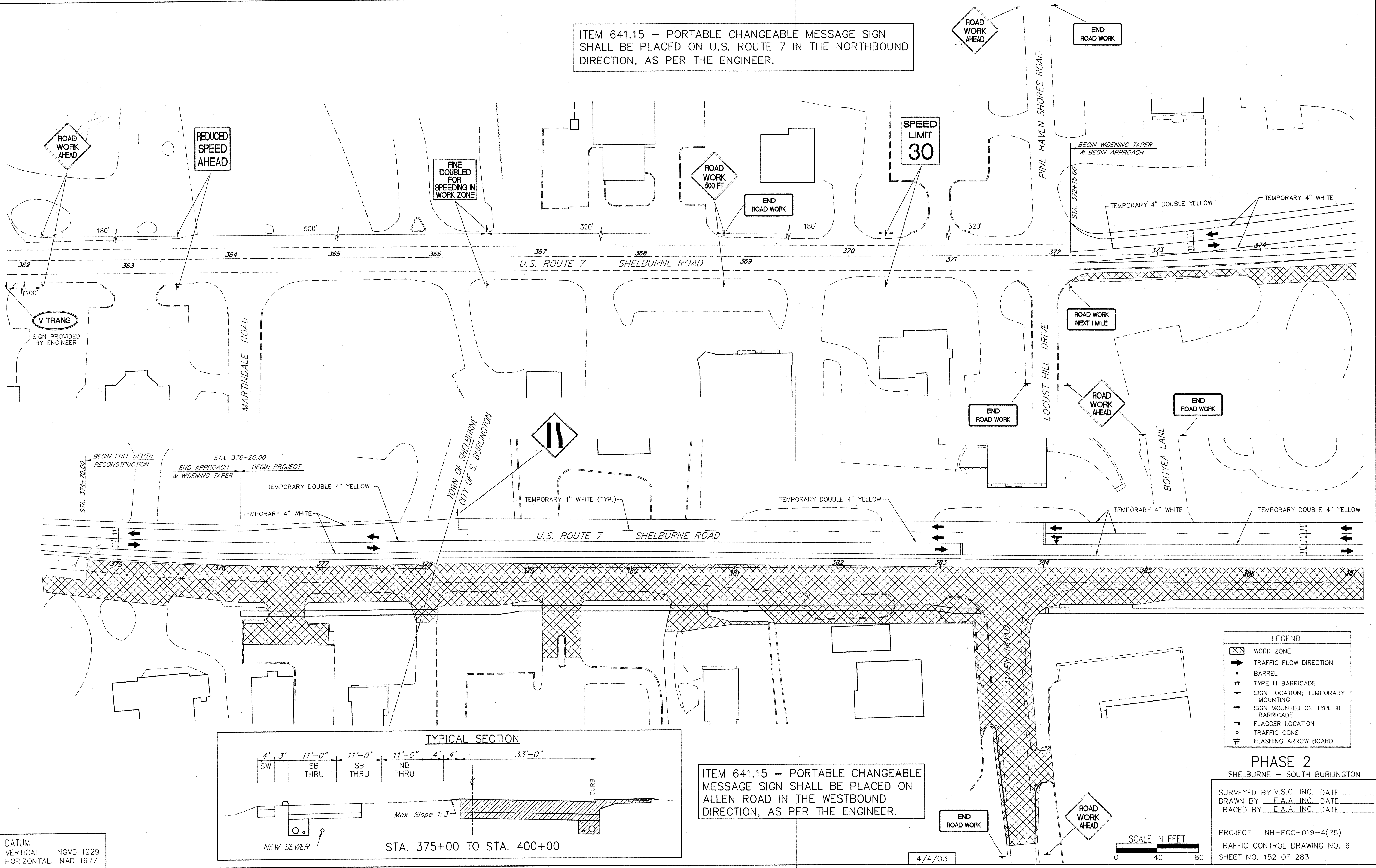
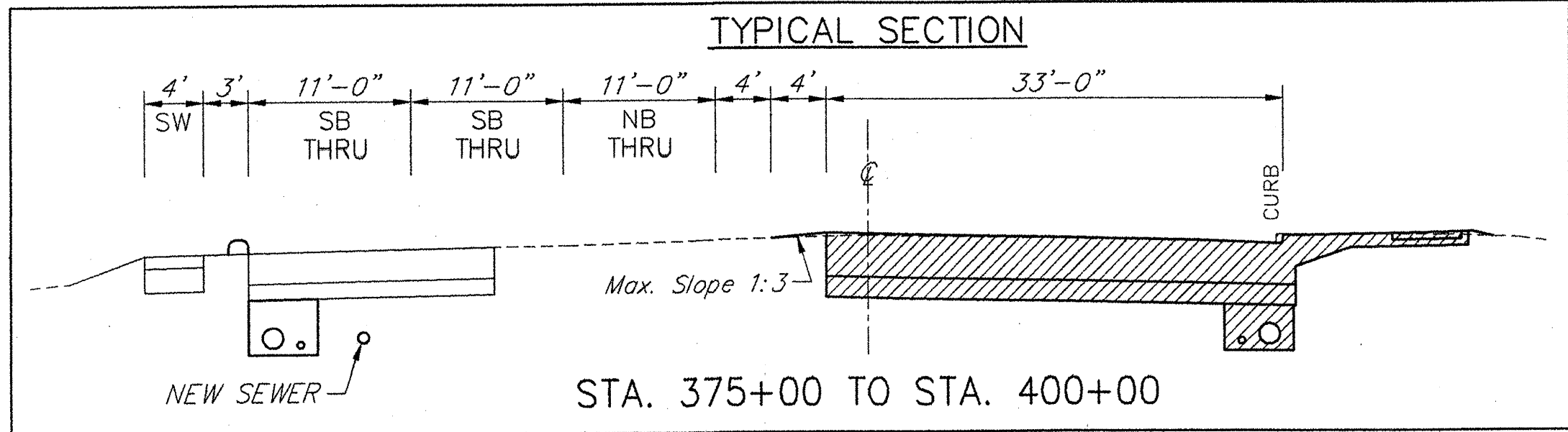


ITEM 641.15 - PORTABLE CHANGEABLE MESSAGE SIGN SHALL BE PLACED ON U.S. ROUTE 7 IN THE NORTHBOUND DIRECTION, AS PER THE ENGINEER.



DATUM  
 VERTICAL NGVD 1929  
 HORIZONTAL NAD 1927



ITEM 641.15 - PORTABLE CHANGEABLE MESSAGE SIGN SHALL BE PLACED ON ALLEN ROAD IN THE WESTBOUND DIRECTION, AS PER THE ENGINEER.

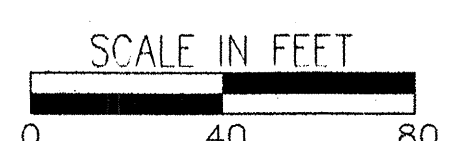
**LEGEND**

- WORK ZONE
- TRAFFIC FLOW DIRECTION
- BARREL
- TYPE III BARRICADE
- SIGN LOCATION; TEMPORARY MOUNTING
- SIGN MOUNTED ON TYPE III BARRICADE
- FLAGGER LOCATION
- TRAFFIC CONE
- FLASHING ARROW BOARD

**PHASE 2**  
 SHELburne - SOUTH BURLINGTON

SURVEYED BY V.S.C. INC. DATE \_\_\_\_\_  
 DRAWN BY E.A.A. INC. DATE \_\_\_\_\_  
 TRACED BY E.A.A. INC. DATE \_\_\_\_\_

PROJECT NH-EGC-019-4(28)  
 TRAFFIC CONTROL DRAWING NO. 6  
 SHEET NO. 152 OF 283



4/4/03