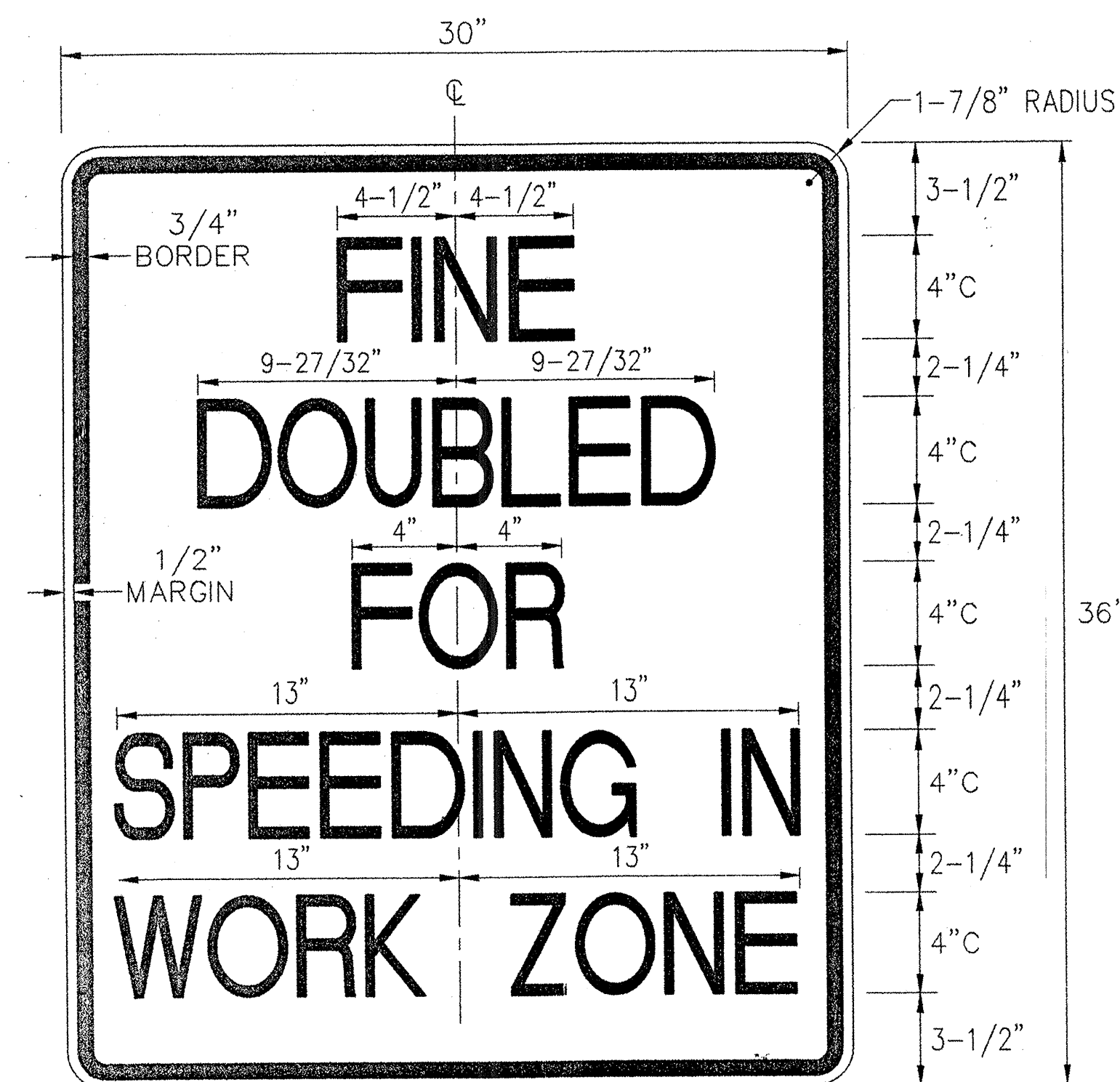


TRAFFIC CONTROL NOTES

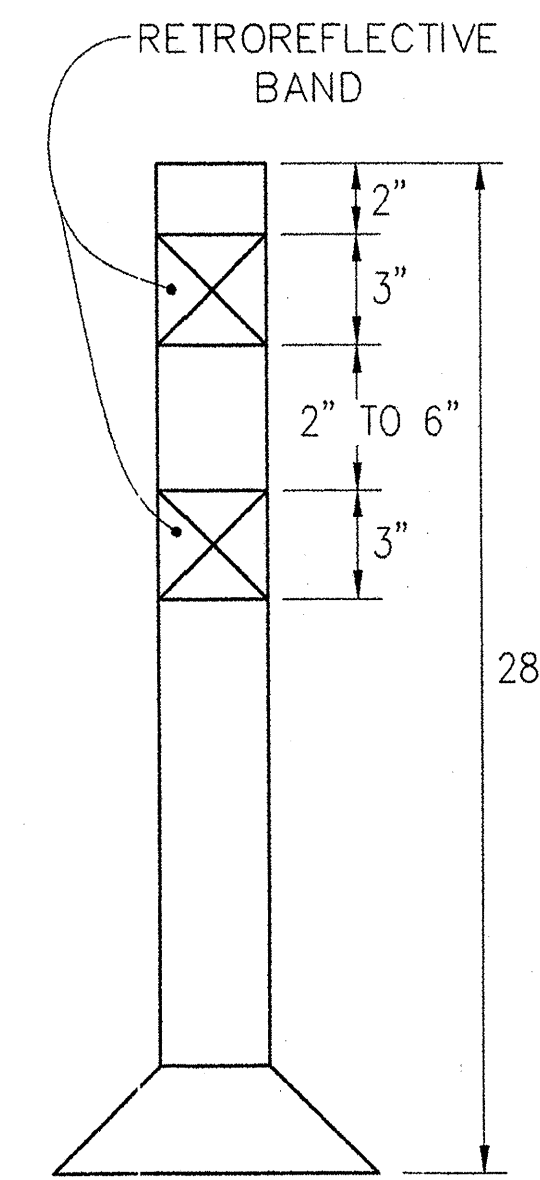
- TRAFFIC CONTROL SHALL BE PROVIDED IN ACCORDANCE WITH SECTION 641 OF THE STANDARD SPECIFICATIONS, THE NATIONAL MANUAL ON UNIFORM TRAFFIC CONTROL DEVICES (MUTCD), ITS REVISIONS AND AMENDMENTS, AND ANY PROVISIONS IN THE PLANS AND/OR PROPOSAL OF THIS PROJECT, AND THE STATE OF VERMONT STANDARDS.
- THE TRAFFIC CONTROL PLANS SHOWN ARE CONSIDERED THE MINIMUM REQUIREMENTS FOR SAFE OPERATIONS. ADDITIONAL SIGNS AND/OR TRAFFIC CONTROL DEVICES MAY BE REQUIRED AS DETERMINED BY THE ENGINEER.
- IN ORDER TO MAINTAIN EFFECTIVE TRAFFIC CONTROL, THE CONTRACTOR SHALL BE RESPONSIBLE FOR MAKING SURE THAT THE SIGNS AND OTHER TRAFFIC CONTROL DEVICES ARE IN GOOD CONDITION AND ARE IN PLACE. THE SOLE JUDGE OF THE EFFECTIVENESS OF THE CONTRACTOR'S EFFORTS TOWARD THE PROTECTION OF TRAFFIC AND PERSONNEL IS THE ENGINEER. THE ENGINEER SHALL PERFORM A YARD INSPECTION OF PROPOSED CONSTRUCTION SIGNS PRIOR TO INSTALLATION.
- THE CONTRACTOR SHALL TAKE EVERY PRECAUTION TO AVOID DAMAGING EXISTING PAVEMENT, CURBS AND SIDEWALK NOT SCHEDULED TO BE REPLACED WHEN IT IS NECESSARY TO MOVE EQUIPMENT THROUGH LOCAL STREETS. THE CONTRACTOR SHALL OBSERVE THE RULES, REGULATIONS AND DIRECTIONS OF THE LOCAL MUNICIPALITIES REGARDING THE HANDLING OF EQUIPMENT AND SHALL TAKE SUCH PROTECTIVE MEASURES AS MAY BE ORDERED BY THE ENGINEER. DAMAGES INCURRED BY THE CONTRACTOR THROUGH DISREGARD SHALL BE RESTORED AT HIS SOLE EXPENSE.
- VEHICLES/EQUIPMENT PARKED WITHIN THE PROJECT LIMITS BELONGING TO THE CONTRACTOR AND/OR HIS EMPLOYEES SHALL BE KEPT TO A MINIMUM AND PARKED IN SUCH A MANNER THAT DOES NOT OBSTRUCT THE VIEW OF SIGNS, BARRIERS, BARRICADES OR ANY OTHER TRAFFIC CONTROL DEVICES. THE CONTRACTOR SHALL NOT PARK VEHICLES/EQUIPMENT OR STORE MATERIALS IN ANY LOCATION WHERE IT IS DEEMED A SAFETY HAZARD BY THE ENGINEER.
- THE CONTRACTOR IS REQUIRED TO MAINTAIN ACCESS TO ALL SIDE ROADS AT ALL TIMES. OWNERS AND/OR OCCUPANTS OF PROPERTY WITHIN THE PROJECT LIMITS SHALL BE NOTIFIED 48 HOURS IN ADVANCE OF ANY DRIVEWAY WORK. THE CONTRACTOR IS REQUIRED TO ALLOW ACCESS TO ALL PROPERTIES AT ALL TIMES FOR EMERGENCY VEHICLES.
- ONE-WAY TRAFFIC ON ROUTE 7 SHALL NOT BE PERMITTED BETWEEN THE HOURS OF 6:30 A.M. - 6:30 P.M. WHEN SHORT-DURATION ONE-WAY TRAFFIC IS NECESSARY AND IS APPROVED BY THE ENGINEER, THE CONTRACTOR SHALL REFER TO THE TYPICAL FLAGMAN OPERATION DETAIL IN THE PLANS AND THE MUTCD FOR TYPICAL CHANNELIZATION AND TRAFFIC CONTROL.
- ONE WAY TRAFFIC ON SIDESTREETS WILL BE PROHIBITED FROM 6:30 A.M. - 9:00 A.M. AND 3:30 P.M. - 6:00 P.M.
- ANY EXISTING PAVEMENT MARKINGS THAT CONFLICT WITH THE CURRENT TRAFFIC CONTROL LAYOUT SHALL BE MASKED BY BLACK MASKING TAPE BY THE CONTRACTOR TO THE SATISFACTION OF THE ENGINEER. PAINTING OUT, BURNING OR GRINDING EXISTING LINES WILL NOT BE ACCEPTABLE.
- SIGNS AND SIGN LOCATIONS SHALL BE IN CONFORMANCE WITH THE CURRENT MUTCD AND AS SHOWN ON THE TRAFFIC CONTROL PLANS AND AS DIRECTED BY THE ENGINEER. SIGN LOCATIONS AS SHOWN ON THE PLANS ARE APPROXIMATE. EXACT LOCATIONS SHALL BE DETERMINED BY THE ENGINEER IN THE FIELD.
- INSTALL SIGNS, SIGNALS AND PAVEMENT MARKINGS AS SHOWN ON THE PLANS PRIOR TO OPENING ANY PORTION OF THE PROJECT TO FINAL AND/OR DETOUR TRAFFIC. CARE MUST BE TAKEN TO INSURE THAT FINAL SIGNALS, SIGNS AND PAVEMENT MARKINGS DO NOT CONFLICT WITH PROPOSED TRAFFIC PATTERNS IN ANY ONE STAGE. FINAL SIGNS AND SIGNALS THAT ARE IN PLACE, BUT ARE NOT BEING USED SHALL BE COVERED.
- THE COVERING, RELOCATING AND REMOVAL OF EXISTING SIGNS SHALL BE AS ORDERED BY THE ENGINEER. EXISTING SIGNING SHALL BE RETURNED TO THE OWNER OF RECORD - STATE, TOWN, OR BUS COMPANY. PAYMENT FOR COVERING SIGNS WILL BE INCLUDED IN THE PRICE BID FOR ITEM 641.10 - TRAFFIC CONTROL (MOD.). PAYMENT FOR RELOCATING AND REMOVAL OF EXISTING SIGNS SHALL BE INCLUDED UNDER THEIR RESPECTIVE ITEMS.
- CONSTRUCTION SIGNS WITH YIELDING POSTS AND ALL OTHER TEMPORARY TRAFFIC CONTROL DEVICES, EXCLUDING TEMPORARY CONCRETE BARRIER, SHALL BE INCLUDED IN ITEM 641.10-TRAFFIC CONTROL (MOD.).
- BEFORE TRAFFIC CAN UTILIZE CONSTRUCTED ROADWAYS, ALL DRAINAGE STRUCTURES, GUARDRAIL AND BARRIERS SHALL BE IN PLACE.
- THE CONTRACTOR SHALL SCHEDULE OPERATIONS IN A MANNER THAT REDUCES THE AMOUNT OF TIME THAT NORMAL TRAFFIC FLOWS ARE DISRUPTED.
- THE CONTRACTOR MAY SUBMIT REVISIONS TO THE TRAFFIC CONTROL PLANS FOR APPROVAL. ANY CHANGE THAT ALTERS THE BASIC CONCEPT OF THE PLANS MUST BE SUBMITTED 4 WEEKS IN ADVANCE TO THE AGENCY FOR REVIEW AND APPROVAL. CONTRACTOR TO BE AWARE THAT THIS MAY REQUIRE APPROVAL BY THE DISTRICT ENVIRONMENTAL COMMISSION.
- THE CONTRACTOR SHALL COORDINATE CONSTRUCTION OPERATIONS WITH THE ACTIVITIES OF THE UTILITY COMPANIES AND OTHER ENTITIES AFFECTED BY THE CONSTRUCTION.

- SIGNS AT INTERSECTIONS SHALL BE PLACED SO THAT THEY DO NOT OBSTRUCT A MOTORIST'S LINE OF SIGHT. SIGNS SHALL ONLY BE VISIBLE AT THE TIMES WHEN THE MESSAGE IS PERTINENT, I.E. A "FLAGMAN AHEAD" SIGN SHALL ONLY BE VISIBLE TO MOTORISTS WHEN THE FLAGMAN IS ACTUALLY DIRECTING TRAFFIC.
- ALL DROP-OFF AREAS WITHIN CONSTRUCTION AND MAINTENANCE WORK ZONE AREAS SHALL BE PROTECTED FROM ADJACENT TRAVEL LANES IN ACCORDANCE WITH POLICIES FOLLOWED BY THE AGENCY.
- THE RESIDENT ENGINEER WILL PROVIDE 2 "VTRANS - WORKING TO GET YOU THERE" SIGNS. THE CONTRACTOR IS REQUIRED TO INSTALL THESE SIGNS ON 3 LB./FT. FLANGED CHANNEL POSTS. PAYMENT SHALL BE INCLUDED IN ITEM 641.10 TRAFFIC CONTROL (MOD.).
- ROUTE 7 TRAFFIC AND SIDESTREET TRAFFIC SHALL BE MAINTAINED ON PAVEMENT AT ALL TIMES.
- THE CONTRACTOR SHALL SET ALL MANHOLES AND OTHER OBSTRUCTIONS WITHIN THE PROJECT LIMITS TO WINTER PAVEMENT ELEVATIONS. PAYMENT SHALL BE INCLUDED IN DRAINAGE AND SANITARY SEWER ITEMS. ADJUSTMENT TO FINAL GRADE WILL BE INCIDENTAL TO THE COST OF THE ITEM.
- HE CONTRACT SHALL MODIFY THE SIGNAGE PLAN TO ACCOMMODATE MERGE POINTS OF THE SHELBURNE SECTION OF THE PROJECT, IF NECESSARY. NECESSARY MODIFICATIONS WILL BE CONSIDERED SUBSIDIARY TO ITEM 641.10 - TRAFFIC CONTROL (MOD.). OTHER INCONVENIENCES SHOULD BE ANTICIPATED, AND NO ADDITIONAL COMPENSATION WILL BE GIVEN TO ACCOMMODATE OTHER CONTRACTORS OR INCONVENIENCES.
- MODIFICATION OF EXISTING SIGNALS TO ACCOMMODATE THE TRAFFIC CONTROL PLAN WILL BE PAID UNDER ITEM 678.40 - TEMPORARY TRAFFIC SIGNAL SYSTEM. THE CONTRACTOR MAY NEED TO SUPPLY ADDITIONAL EQUIPMENT TO COMPLETE THESE SYSTEMS, PAYMENT INCLUSIVE TO THE 678.40 ITEM. ANY COORDINATION SHALL BE TIME BASED.
- ALL TEMPORARY PAVEMENT AND BASE MATERIAL SHALL BE INCLUDED IN ITEM 641.10 - TRAFFIC CONTROL (MOD.).
- ITEM 641.15 - PORTABLE CHANGEABLE MESSAGE SIGNS ARE INCLUDED IN THE CONTRACT AND SHALL BE PLACED AS PER THE ENGINEER.
- ITEM 641.16 - PORTABLE ARROW BOARDS ARE INCLUDED IN THE CONTRACT AND SHALL BE PLACED AS PER THE ENGINEER.
- EXISTING LEFT TURN LANES ON U.S. ROUTE 7 MUST BE MAINTAINED AT ALL TIMES.
- THE MINIMUM PAVEMENT SECTION FOR DETOURING TRAFFIC SHALL CONSIST OF 3" PAVEMENT (TYPE III WEARING COURSE) AND 12" SUBBASE MATERIAL.

EGF, REMOVED PER PRE-BID ADDENDUM

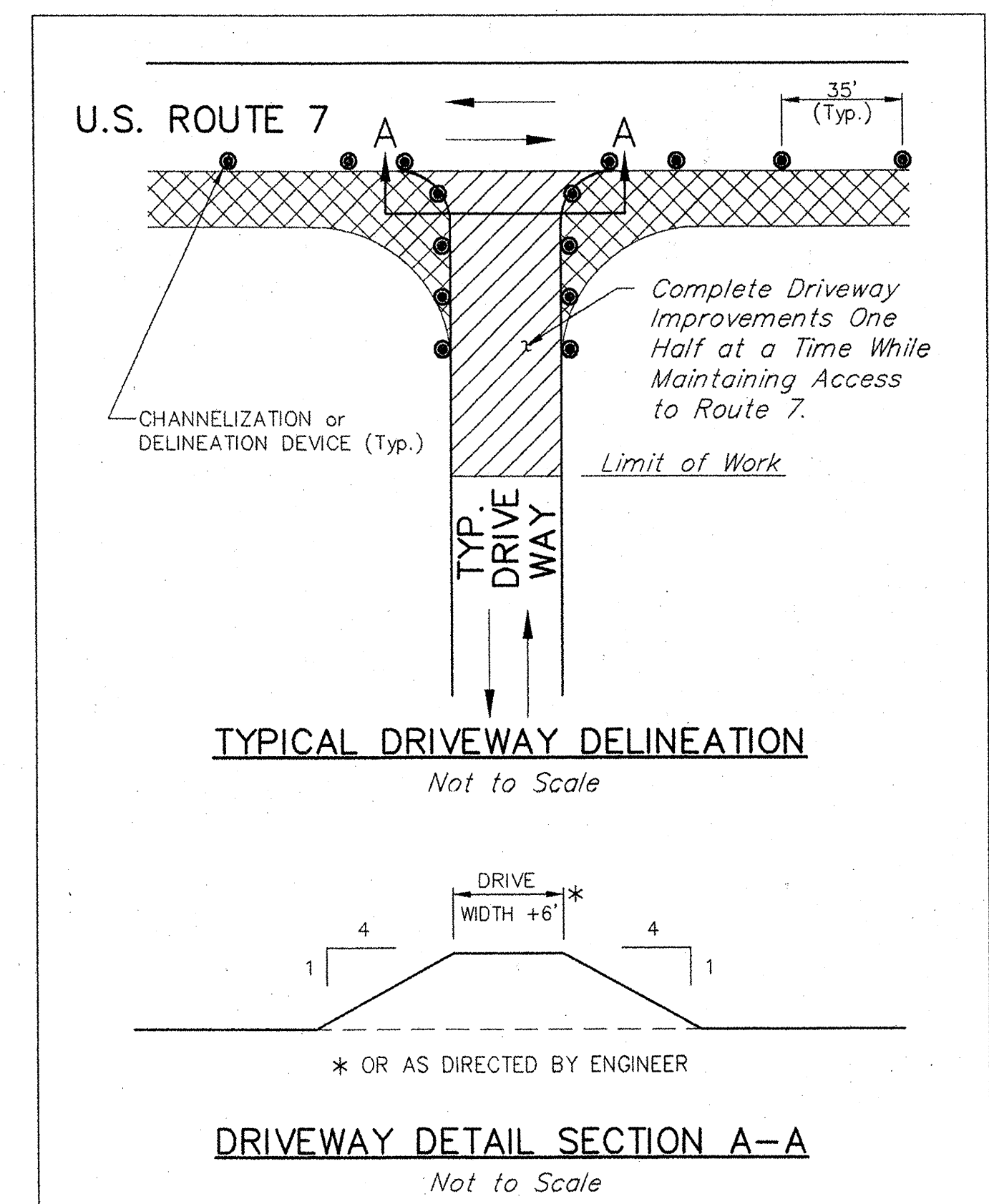
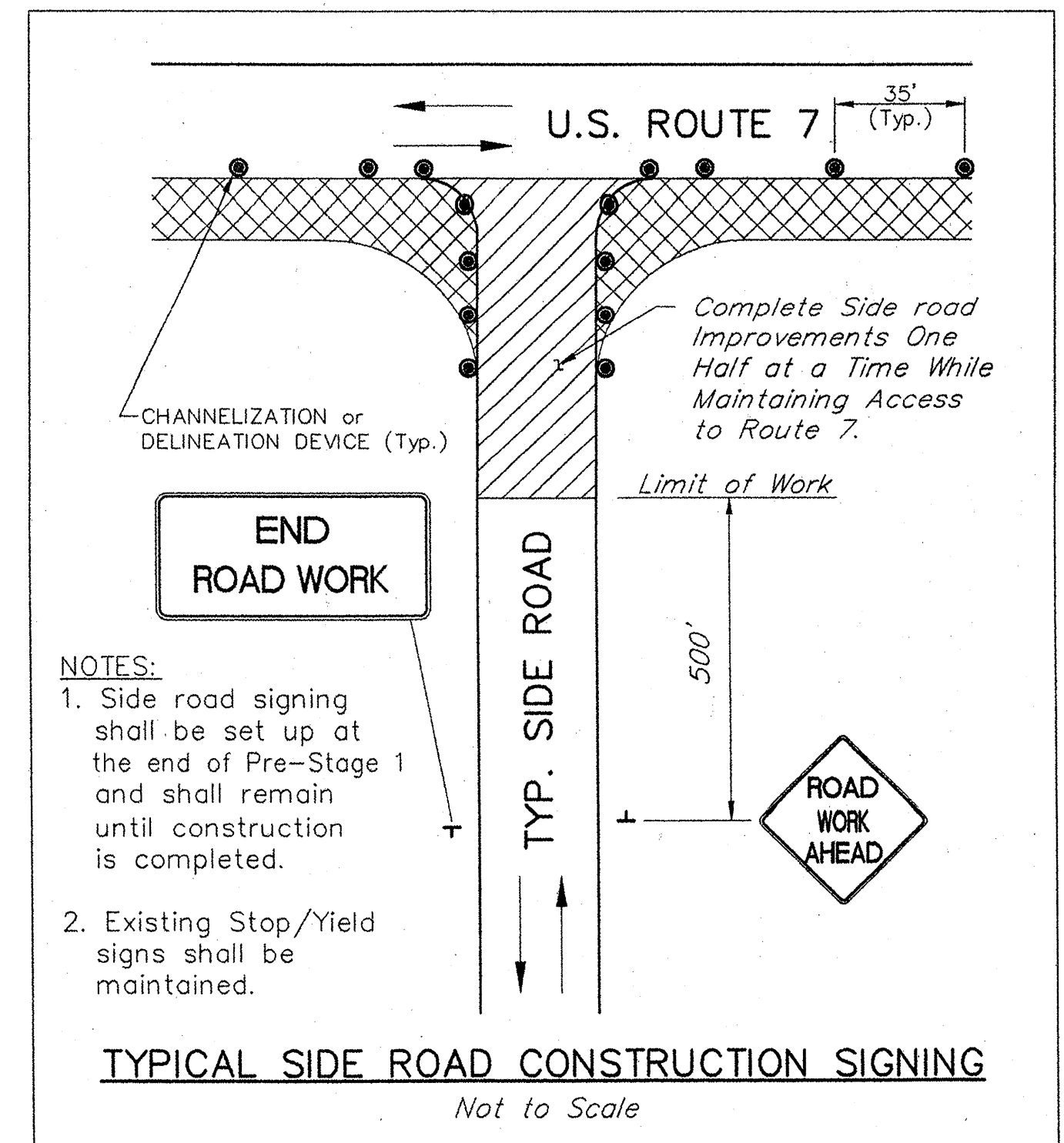


VR 355
COLORS:
LEGEND - BLACK
BACKGROUND - WHITE



DELINEATORS WITH FLEXIBLE POSTS

Not to Scale



LEGEND	
	CONCRETE BARRIER (SEE GEN. T.C. NOTE 21)
	WORK ZONE
	TRAFFIC FLOW DIRECTION
	BARREL (SEE GEN. T.C. NOTE 21)
	TYPE III BARRICADE
	SIGN LOCATION; TEMPORARY MOUNTING
	SIGN MOUNTED ON TYPE III BARRICADE
	FLAGGER LOCATION
	TRAFFIC CONE
	FLASHING ARROW BOARD

SHELBURNE - SOUTH BURLINGTON

SURVEYED BY V.S.C. INC. DATE _____
DRAWN BY E.A.A. INC. DATE _____
TRACED BY E.A.A. INC. DATE _____

PROJECT NH-EGC-019-4(28)
TRAFFIC CONTROL DRAWING NO. 1
SHEET NO. 147 OF 283

DATUM
VERTICAL NGVD 1929
HORIZONTAL NAD 1927

4/4/03