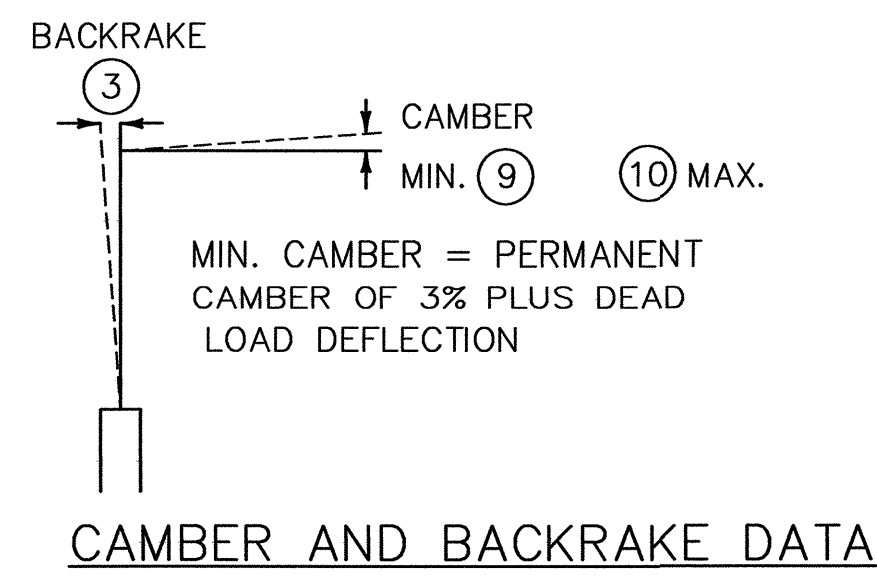
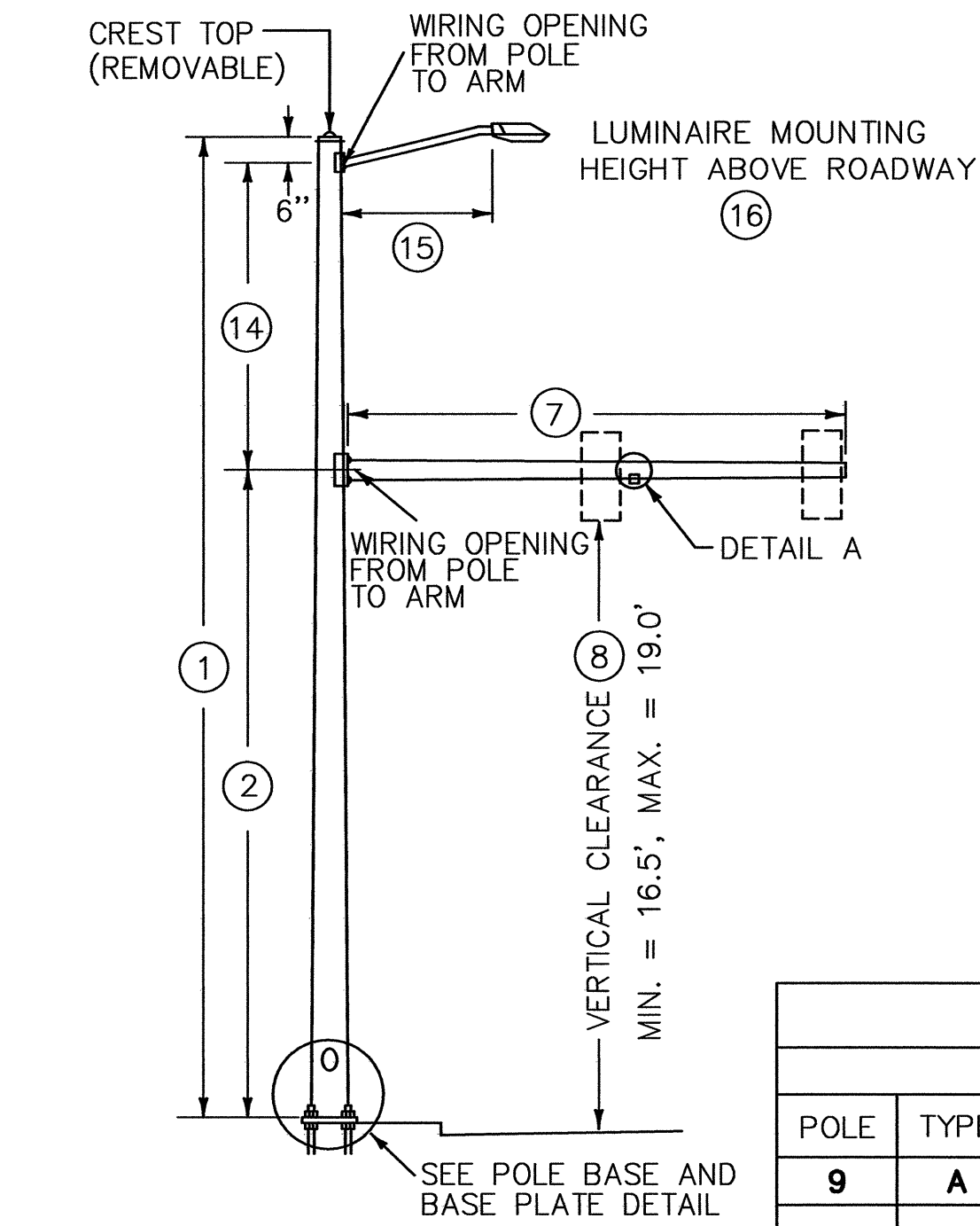


TYPE A

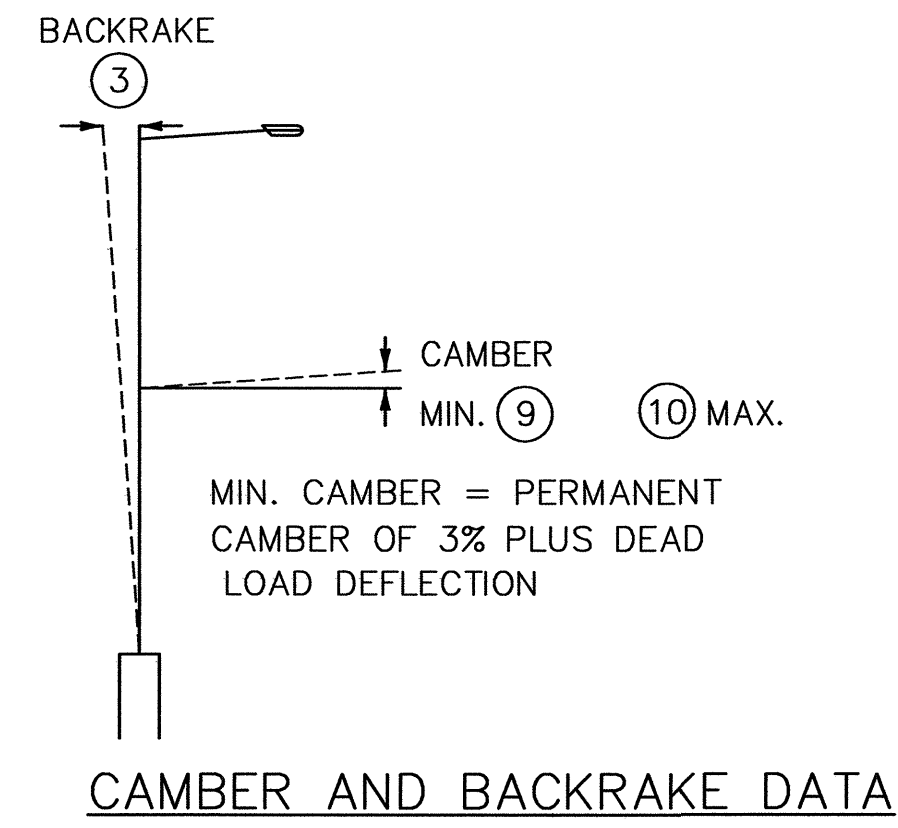


CAMBER AND BACKRAKE DATA

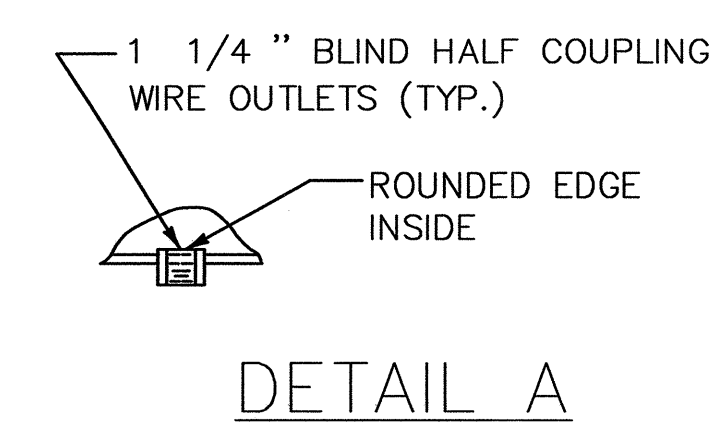
- POLE BASE DIAMETER (4)
- POLE GAUGE (5)
- POLE TAPER RATE (6)
- ARM DIAMETER (11)
- ARM GAUGE (12)
- ARM TAPER RATE (13)



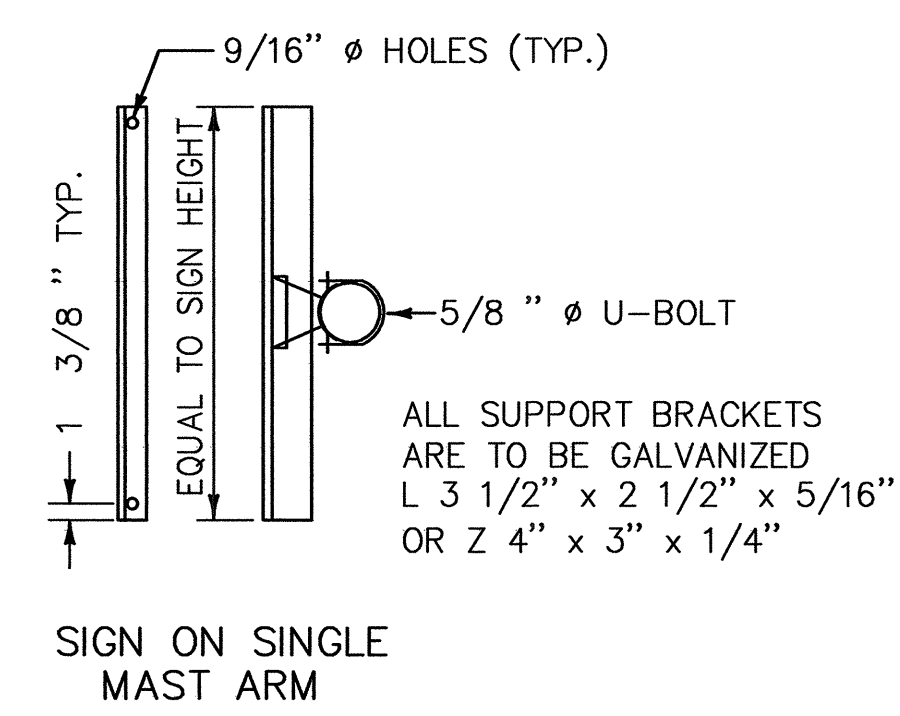
TYPE B



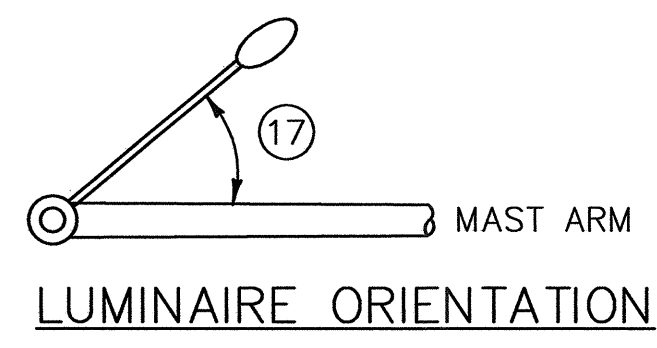
CAMBER AND BACKRAKE DATA



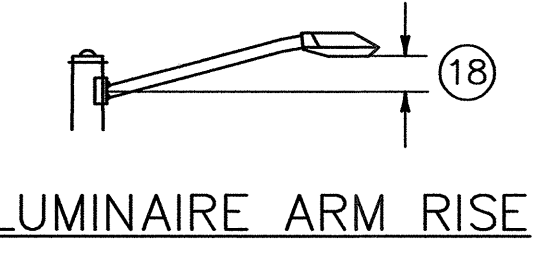
DETAIL A



SIGN BRACKET DETAILS

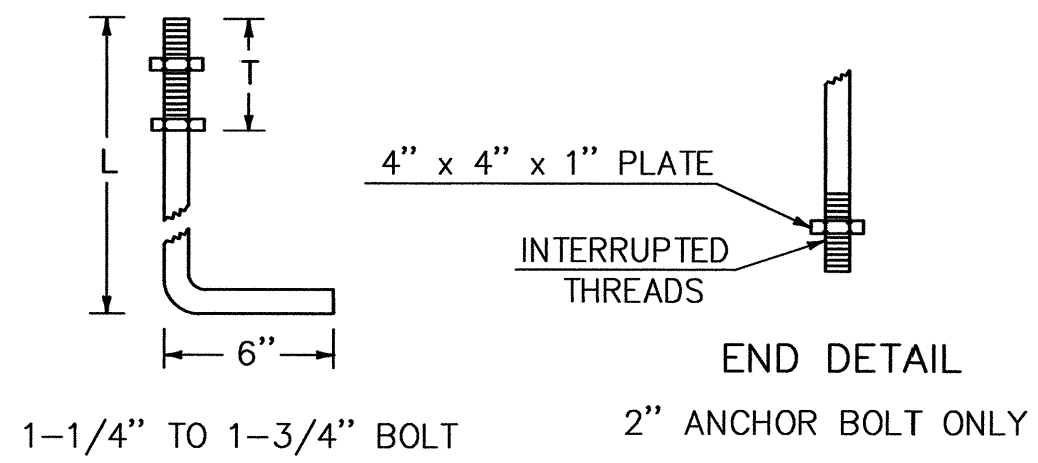


LUMINAIRE ORIENTATION

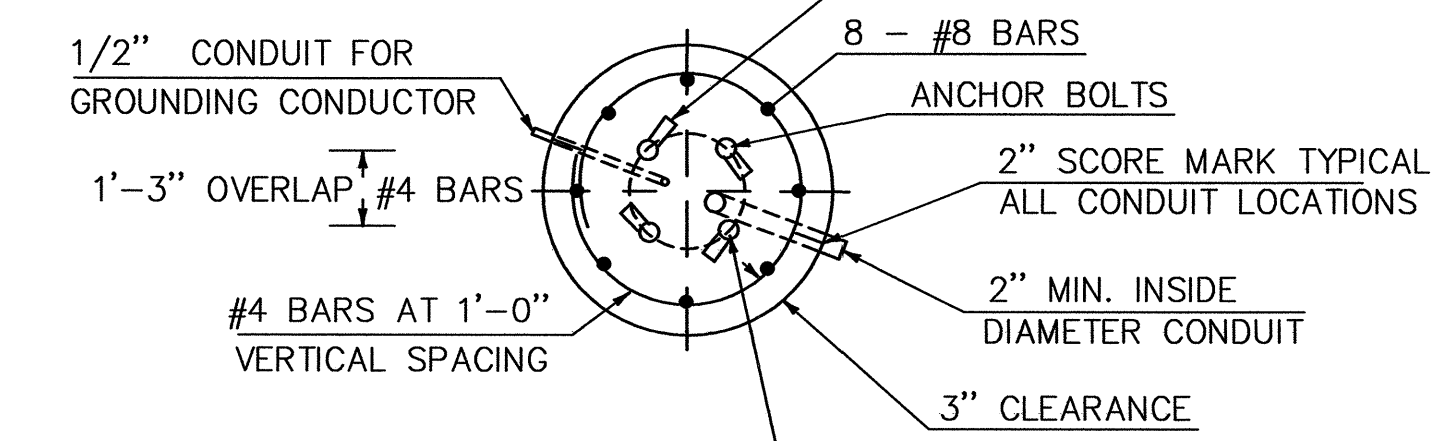


LUMINAIRE ARM RISE

ANCHOR BOLT DETAIL	SIZE	L (IN)	T (IN)
	1-1/4" x 48"	42	8
	1-1/2" x 60"	54	9
	1-3/4" x 90"	84	9
	2" x 96"	96	9



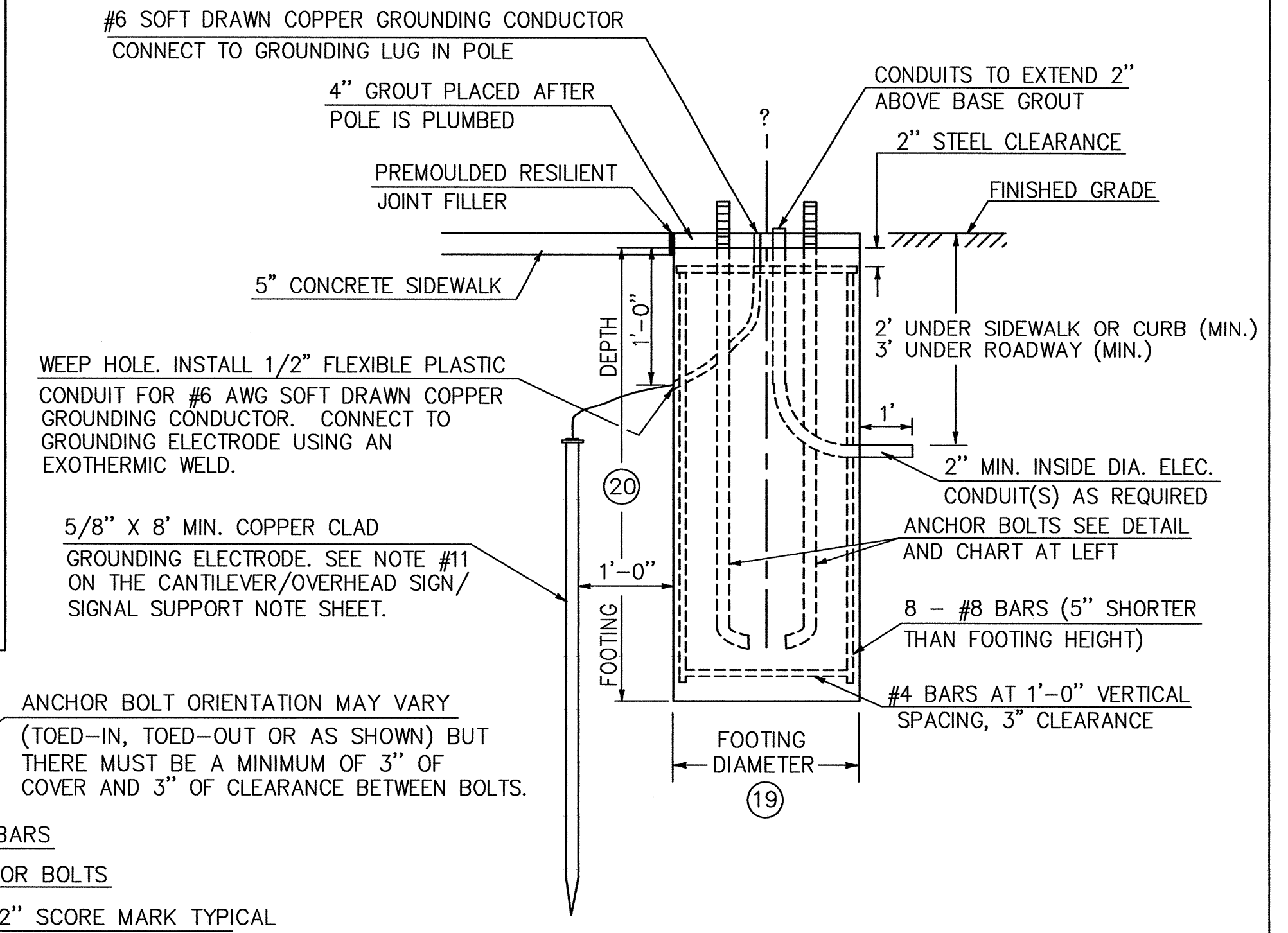
ANCHOR BOLT DETAIL



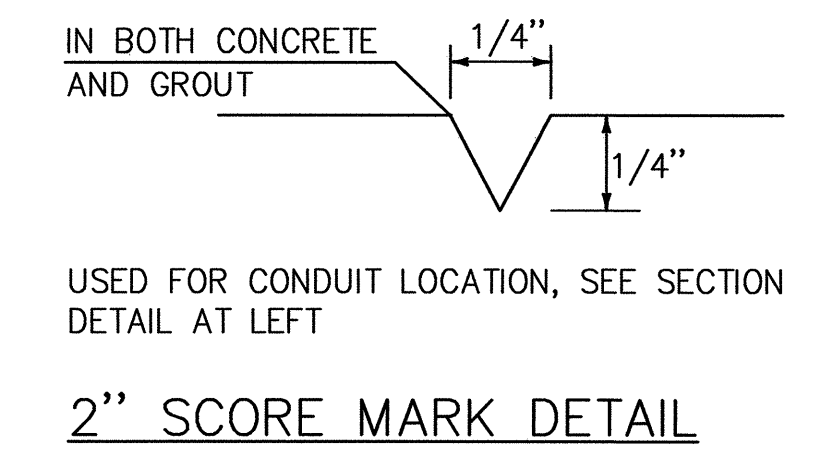
SECTION

CANTILEVER FOOTING DETAIL  
(SPREAD FOOTINGS OR PILES ARE OPTIONAL)

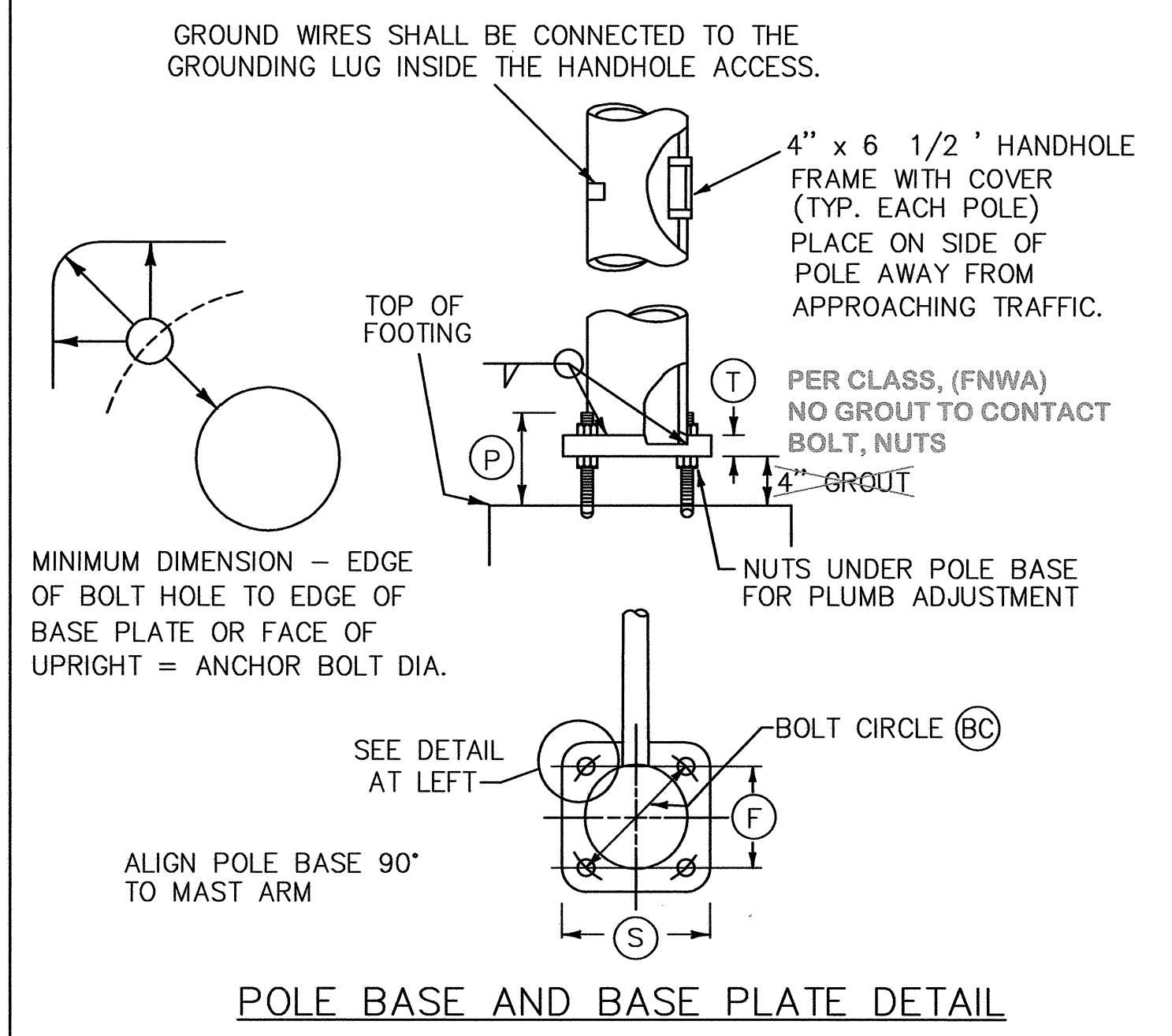
SEE CANTILEVER / OVERHEAD SIGN / SIGNAL SUPPORTS NOTE SHEET FOR ADDITIONAL INFORMATION



ELEVATION



2" SCORE MARK DETAIL



POLE BASE AND BASE PLATE DETAIL

AS-BUILT REVISIONS	
NO.	DATE DESCRIPTION
1.	3/7/06 NOTES ADDED TO TABLE

POLE	TYPE	POLE DATA						ARM DATA						LIGHTING DATA						FOOTING DATA		BASE PLATE / BOLT DATA							
		(1)	(2)	(3)	(4)	(5)	(6)	(7)	(8)	(9)	(10)	(11)	(12)	(13)	(14)	(15)	(16)	(17)	(18)	(19)	(20)	(BC)	(F)	(S)	(T)	(P)	ANCHOR BOLT SIZE		
9	A	20'	18.5'		14.0"	7 GA	0.14 IN/FT	49'	16.5'			10.0"	7 GA	0.14 IN/FT						3.5'	12.0'	20.0"	14 1/8"	21.0"	1 1/2"	6 1/4"	1 1/2" X 60"		
10	A	20'	18.5'		12.0"	7 GA	0.14 IN/FT	36'	16.5'			9.0"	7 GA	0.14 IN/FT						3.5'	8.5'	18.0"	12 3/4"	19.0"	1 1/2"	6 1/4"	1 1/2" X 60"		
11	B	33'	18.5'		12.0"	7 GA	0.14 IN/FT	45'	16.5'			9.0"	7 GA	0.14 IN/FT	14'	12'	35'	0'	39"	3.5'	8.5'	18.0"	12 3/4"	19.0"	1 1/2"	6 1/4"	1 1/2" X 60"		
12	B	33'	18.5'		14.0"	7 GA	0.14 IN/FT	49'	16.5'			10.0"	7 GA	0.14 IN/FT	14'	12'	35'	0'	39"	3.5'	12.0'	20.0"	14 1/8"	21.0"	1 1/2"	6 1/4"	1 1/2" X 60"		
13	A	20'	18.5'		14.0"	7 GA	0.14 IN/FT	49'	16.5'			10.0"	7 GA	0.14 IN/FT						3.5'	12.0'	20.0"	14 1/8"	21.0"	1 1/2"	6 1/4"	1 1/2" X 60"		
14	B	33'	18.5'		14.0"	7 GA	0.14 IN/FT	49'	16.5'			10.0"	7 GA	0.14 IN/FT	14'	12'	35'	90'	39"	3.5'	12.0'	20.0"	14 1/8"	21.0"	1 1/2"	6 1/4"	1 1/2" X 60"		
15	B	33'	18.5'		14.0"	7 GA	0.14 IN/FT	49'	16.5'			10.0"	7 GA	0.14 IN/FT	14'	8'	35'	90'	39"	3.5'	12.0'	20.0"	14 1/8"	21.0"	1 1/2"	6 1/4"	1 1/2" X 60"		
16	A	20'	18.5'		14.0"	7 GA	0.14 IN/FT	49'	16.5'			10.0"	7 GA	0.14 IN/FT						3.5'	12.0'	20.0"	14 1/8"	21.0"	1 1/2"	6 1/4"	1 1/2" X 60"		

# SINGLE MAST ARM CANTILEVER / FOOTING DETAIL SHEET

DATUM  
VERTICAL NGVD 1929  
HORIZONTAL NAD 1927

SHELburne - SOUTH BURLINGTON

SURVEYED BY V.S.C. INC. DATE \_\_\_\_\_  
DRAWN BY E.A.A. INC. DATE \_\_\_\_\_  
TRACED BY E.A.A. INC. DATE \_\_\_\_\_

PROJECT NH-EGC-019-4(28)  
SIGNAL DRAWING NO. 11  
SHEET NO. 136 OF 283

4/4/03