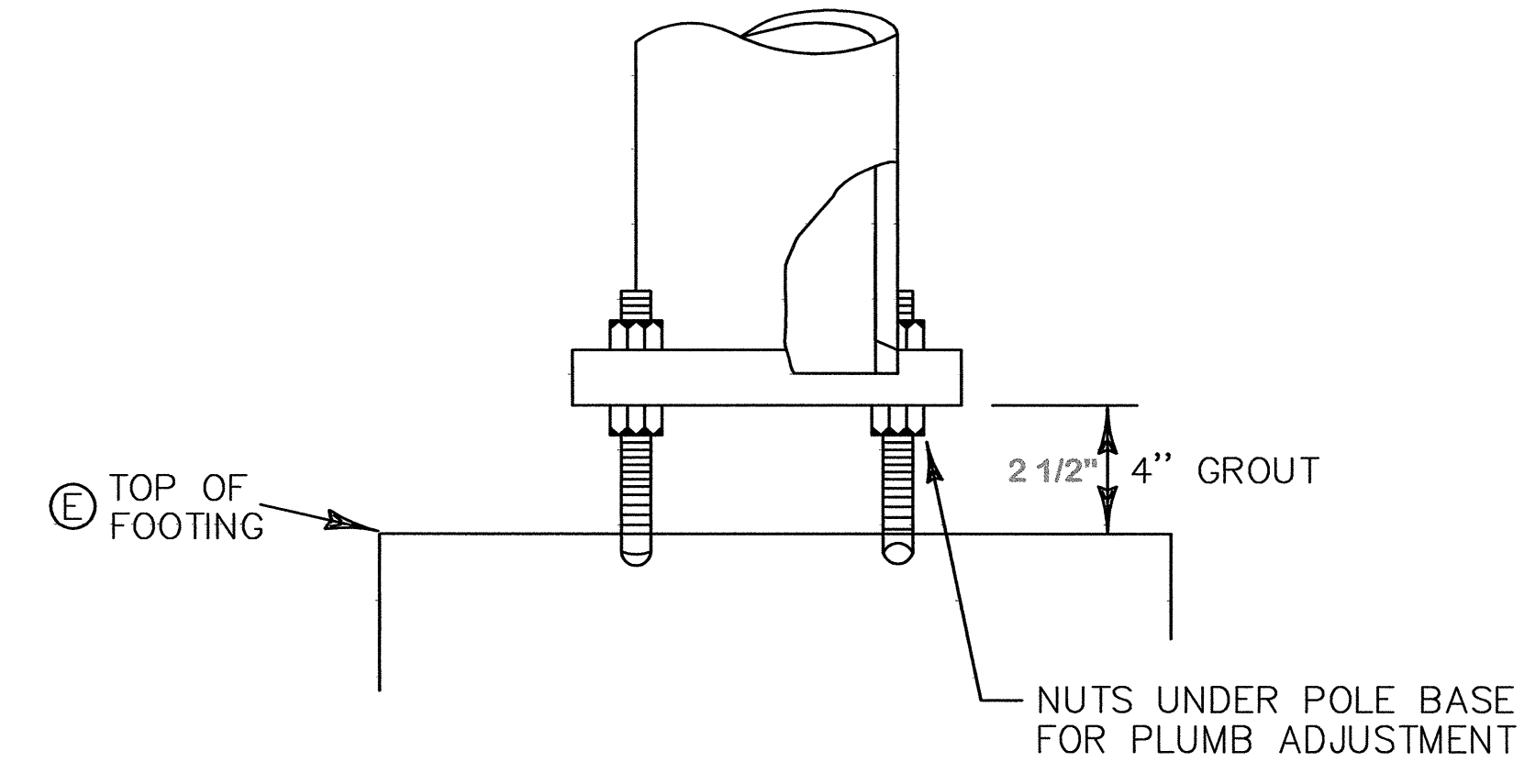
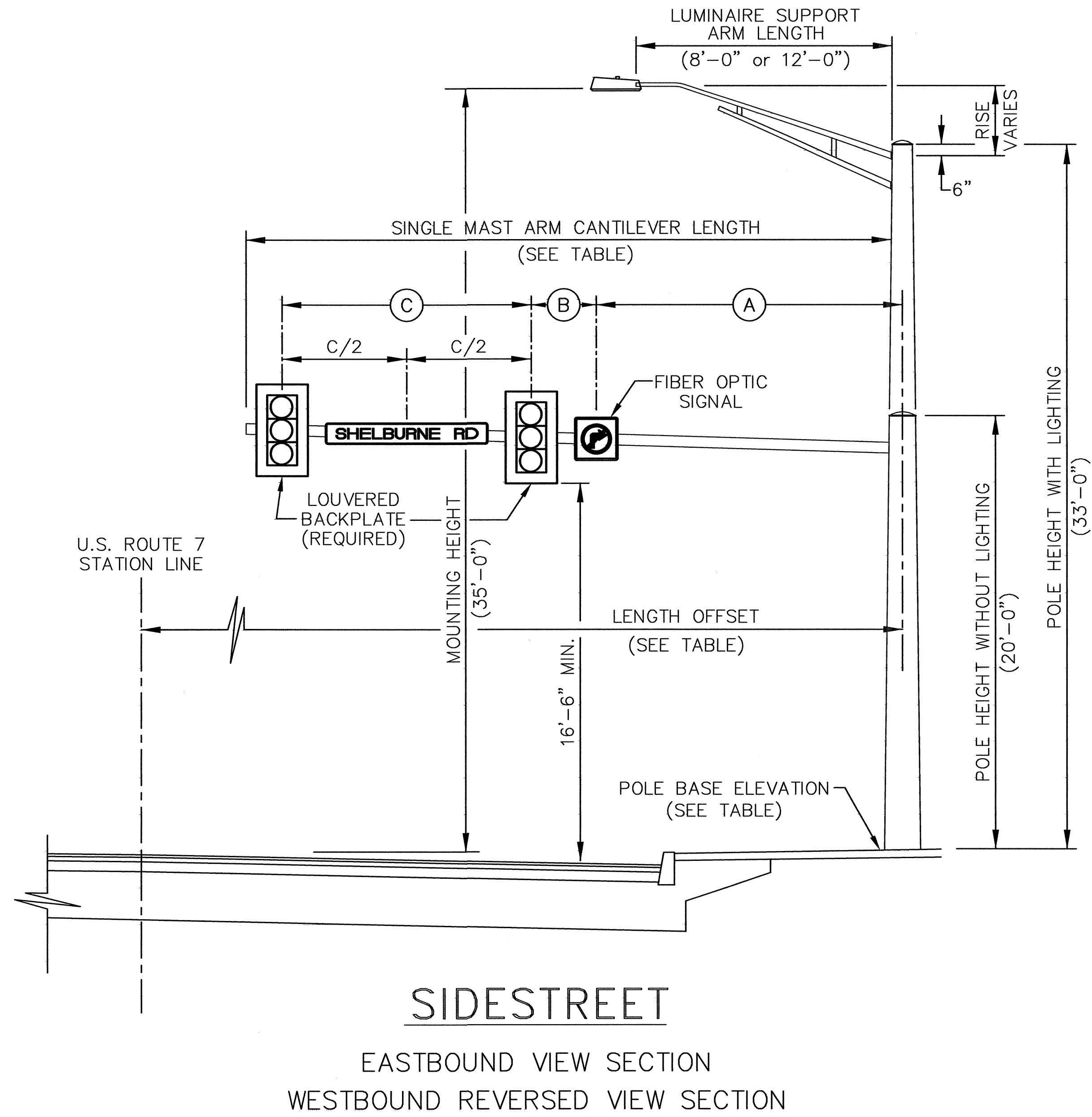


TYPICAL TRAFFIC SIGNAL POLE SECTION



POLE BASE ELEVATION
NOT TO SCALE

SIDESTREET SINGLE MAST ARM CANTILEVER WITHOUT LIGHTING									
CANTILEVER NO.	STATION	OFFSET	SIDE	U.S. ROUTE 7 INTERSECTION	MAST ARM LENGTH	(A)	(B)	(C)	(E)
2	383+35	44'	Rt	Allen Road	31'	16'	3'	11'	171.1
5	389+94	37'	Rt	Harbor View Road	40'	25'	3'	11'	161.7
7	390+65	48'	Lt	Harbor View Road	33'	18'	3'	11'	160.7
10	405+55	44'	Rt	Green Mountain Drive	36'	20'	3'	12'	151.0

SIDESTREET SINGLE MAST ARM CANTILEVER WITH LIGHTING										
CANTILEVER NO.	STATION	OFFSET	SIDE	U.S. ROUTE 7 INTERSECTION	MAST ARM LENGTH	(A)	(B)	(C)	(D)	(E)
3	383+80	48'	Lt	Allen Road	21'	6'	3'	11'	90'	171.1
11	405+60	65'	Lt	Barlett Bay Road	45'	28'	3'	13'	0'	148.9
14	423+50	37'	Rt	Idx Drive	49'	33'	3'	12'	90'	173.2
15	424+27 424+37.5	51' 50.25'	Lt	Holmes Road	49'	33'	3'	12'	90'	174.8

170.74
150.10
172.73
175.08
(INCLUDES 2" REVEAL SINCE NOT ADJACENT TO SIDEWALK)

- NOTES:**
1. BASE ELEVATION TO BE VERIFIED BY RESIDENT ENGINEER PRIOR TO SETTING
 2. (D) - ORIENTATION OF LUMINAIRE TO MAST ARM
 3. (E) - POLE BASE ELEVATION

DATUM
VERTICAL NGVD 1929
HORIZONTAL NAD 1927

AS-BUILT REVISIONS		
NO.	DATE	DESCRIPTION
1.	3/7/06	ELEVATIONS ADDED

4/4/03

SHELBURNE - SOUTH BURLINGTON
SURVEYED BY V.S.C. INC. DATE _____
DRAWN BY E.A.A. INC. DATE _____
TRACED BY E.A.A. INC. DATE _____
PROJECT NH-EGC-019-4(28)
SIGNAL DRAWING NO. 8
SHEET NO. 133 OF 283