

TYPICAL TRAFFIC SIGNAL POLE SECTION

U.S. ROUTE 7 SINGLE MAST ARM CANTILEVER WITHOUT LIGHTING						
CANTILEVER NO.	STATION	OFFSET	SIDE	INTERSECTION	MAST ARM LENGTH	Ⓔ
1	383+31	58'	Lt	Allen Road	49'	172.1
9	405+55	58'	Lt	* Bartlett Road	49'	150.8
13	423+35	58'	Lt	* Holmes Road	49'	172.1
16	424+32	44'	Rt	* IDX Drive	49'	174.9

171.69

150.27

171.74

175.07

U.S. ROUTE 7 SINGLE MAST ARM CANTILEVER WITH LIGHTING						
CANTILEVER NO.	STATION	OFFSET	SIDE	INTERSECTION	MAST ARM LENGTH	Ⓔ
4	384+27	44'	Rt	Allen Road	49'	170.5
6	390+00	58'	Lt	Harbor View Road	49'	161.7
8	390+70	44'	Rt	Harbor View Road	49'	160.5
12	406+35	44'	Rt	* Green Mountain Drive	49'	151.1

170.03

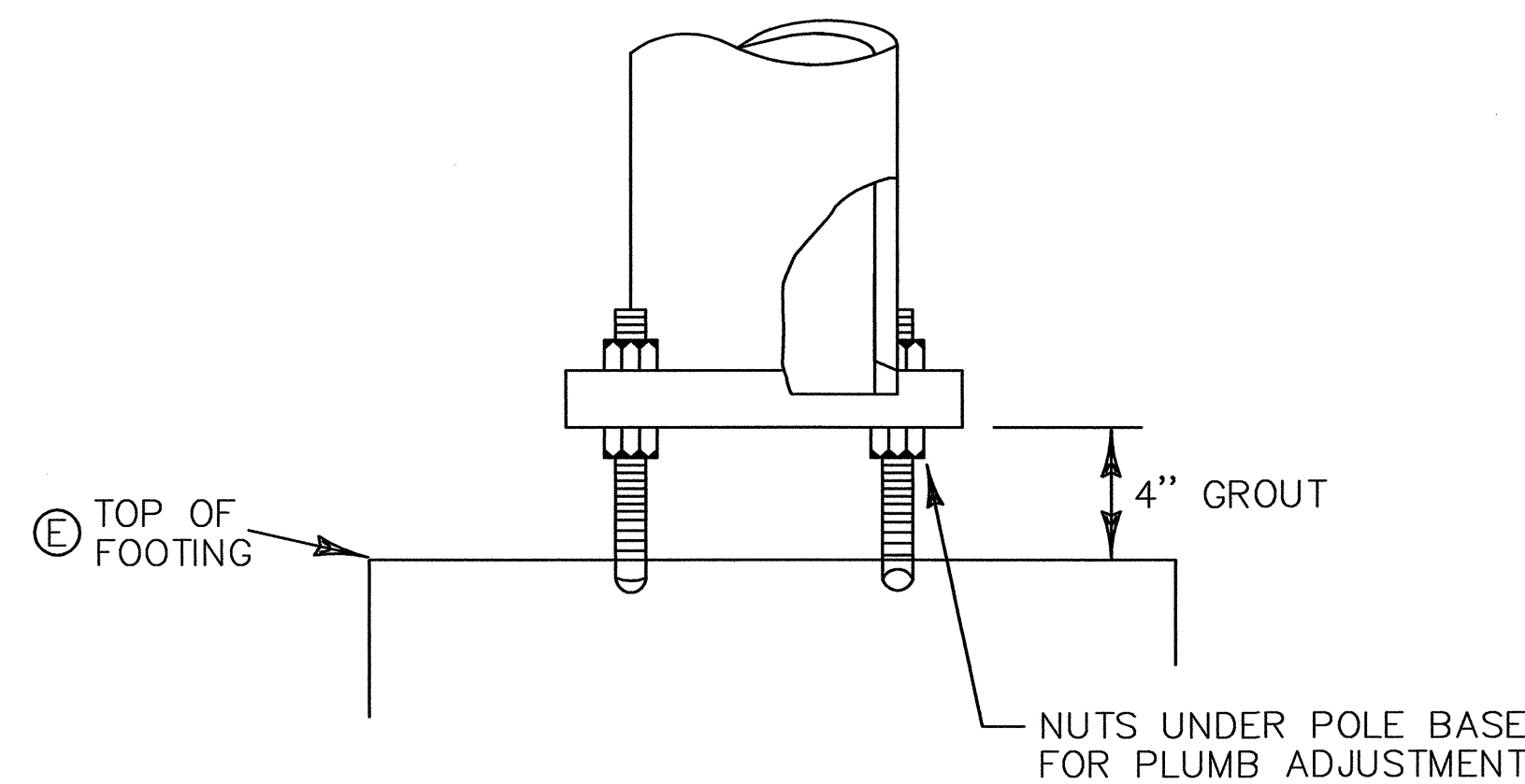
161.30

160.10

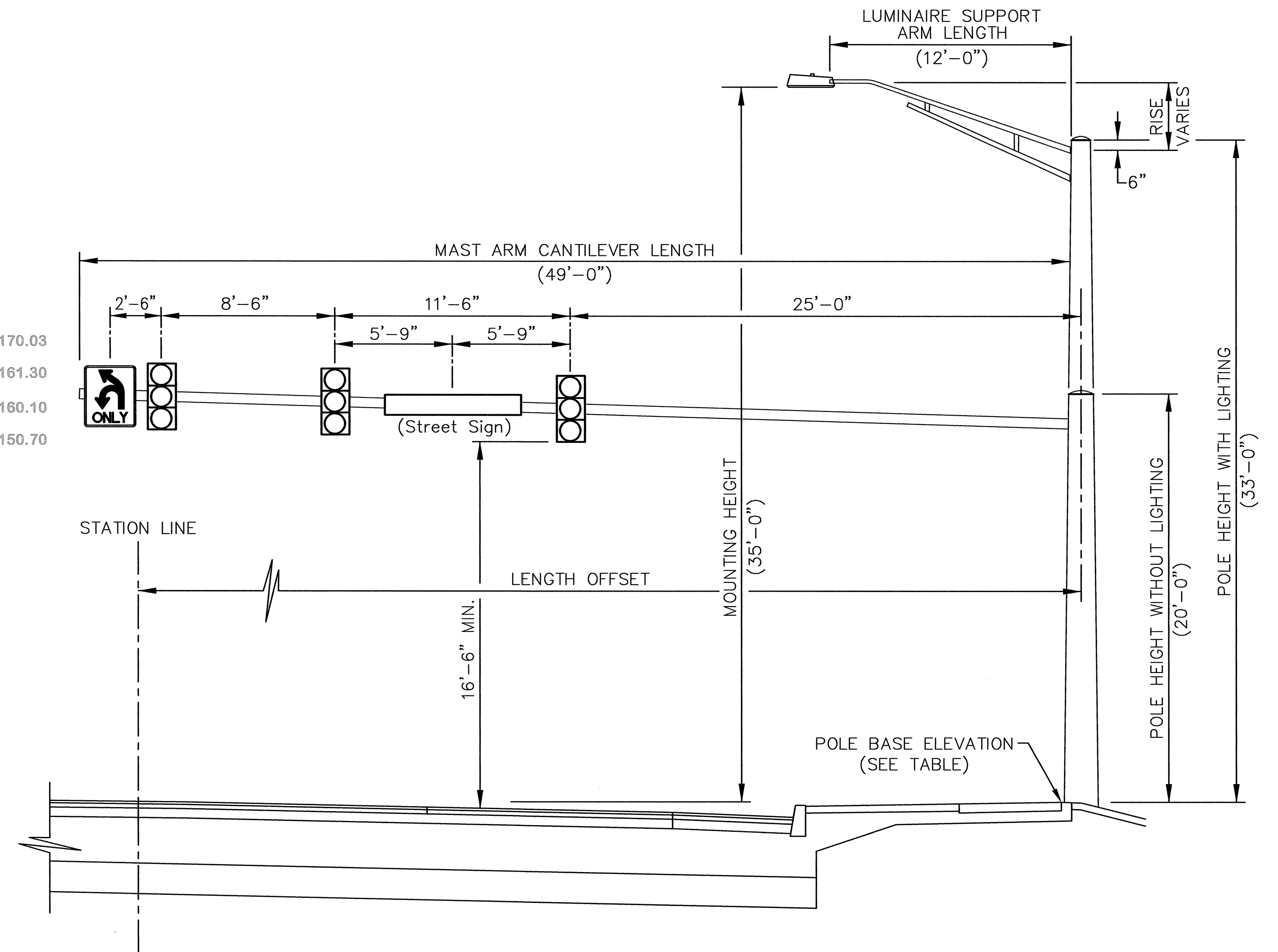
150.70

NOTES:

- * INDICATES TWO (2) STREET SIGNS ARE REQUIRED -- MOUNTED BACK TO BACK
- BASE ELEVATION TO BE VERIFIED BY THE RESIDENT ENGINEER PRIOR TO SETTING
- Ⓔ - POLE BASE ELEVATION



POLE BASE ELEVATION
NOT TO SCALE



U.S. ROUTE 7 (SHELBURNE ROAD)

NORTHBOUND VIEW SECTION
SOUTHBOUND REVERSED VIEW SECTION

DATUM
VERTICAL NGVD 1929
HORIZONTAL NAD 1927

AS-BUILT REVISIONS		
NO.	DATE	DESCRIPTION
1.	3/7/06	ELEVATIONS ADDED

4/4/03

SHELBURNE - SOUTH BURLINGTON

SURVEYED BY V.S.C. INC. DATE _____
DRAWN BY E.A.A. INC. DATE _____
TRACED BY E.A.A. INC. DATE _____

PROJECT NH-EGC-019-4(28)
SIGNAL DRAWING NO. 7
SHEET NO. 132 OF 283