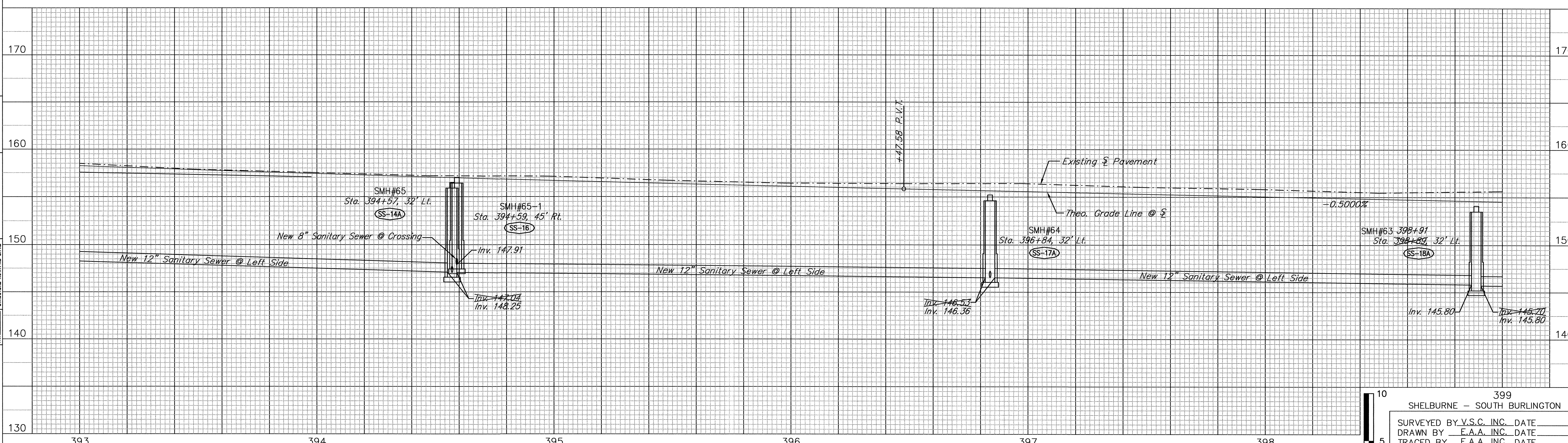


DATE
BY
REVISIONS
ALIGNED CHECKED
NOTE BOOK
NO.

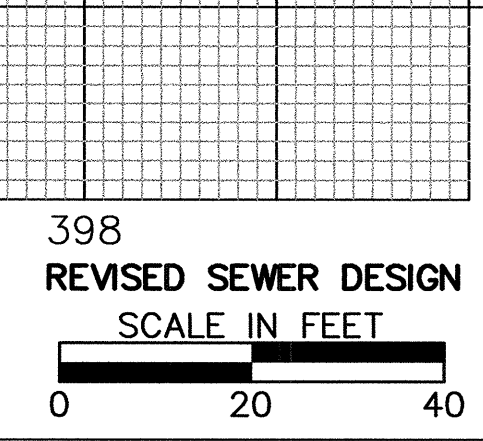
DATE
BY
REVISIONS
GRADE CHECKED
STRUCTURE NOTATION CHD
NOTE BOOK
NO.



DATUM
VERTICAL NGVD 1929
HORIZONTAL NAD 1927

AS-BUILT REVISIONS		
NO.	DATE	DESCRIPTION
1.	3/2/06	SEWER EDITS

FOR PLAN SEE PLAN DRAWING NO. 5



399
SHELburnE - SOUTH BURLINGTON

SURVEYED BY V.S.C. INC. DATE _____
 DRAWN BY E.A.A. INC. DATE _____
 TRACED BY E.A.A. INC. DATE _____

PROJECT NH-EGC-019-4(28)
 PROFILE DRAWING NO. 5
 SHEET NO. 84R OF 283