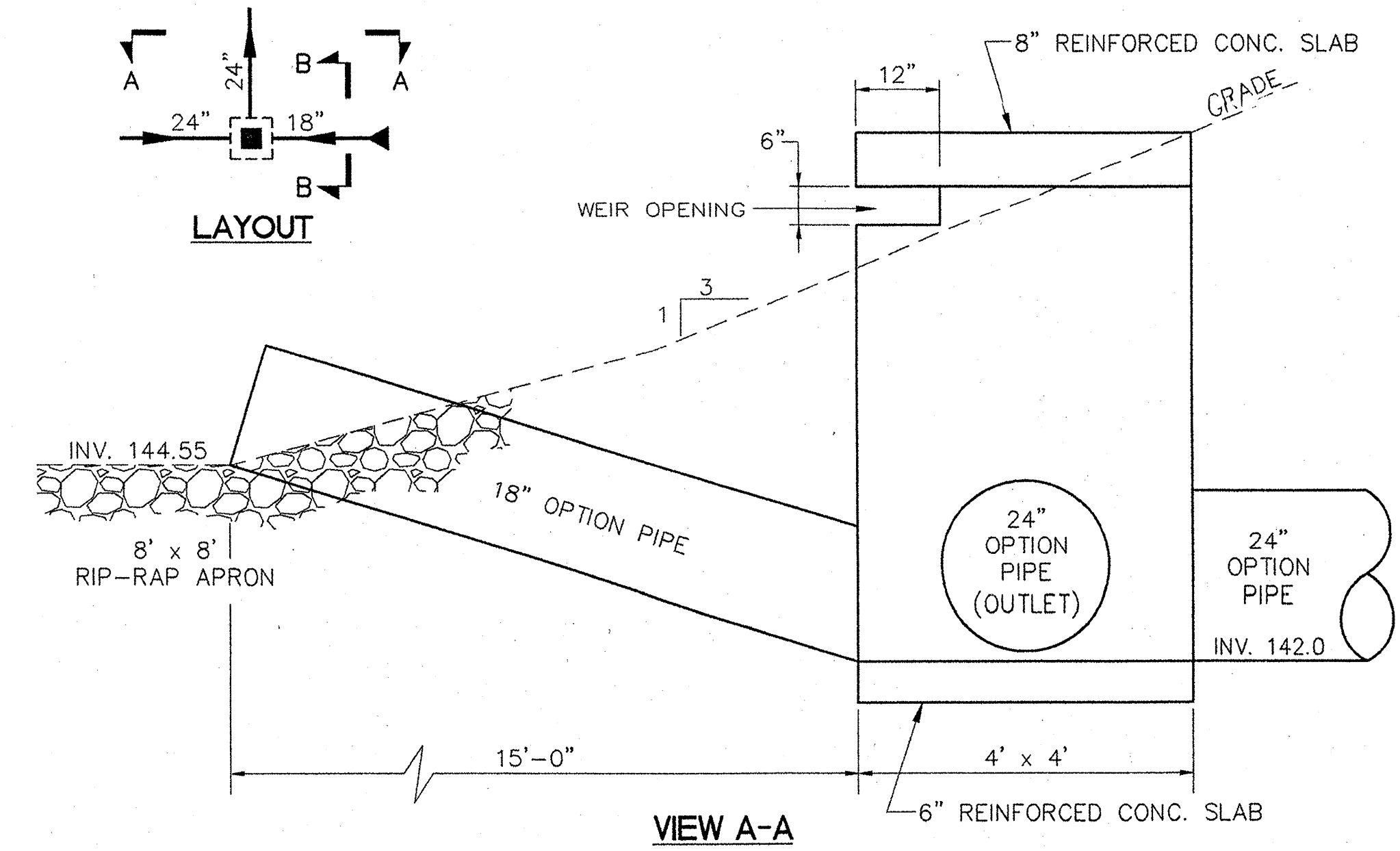
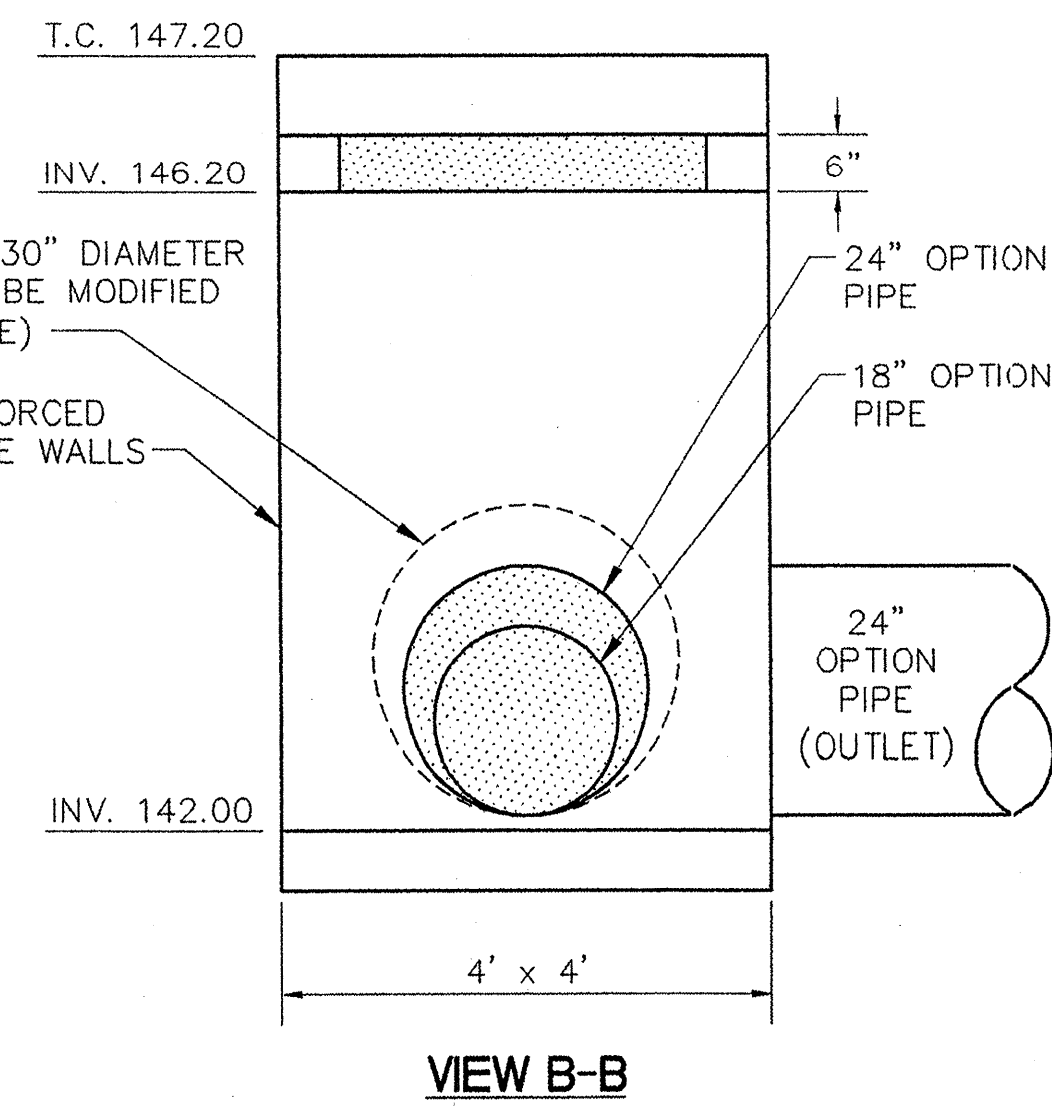
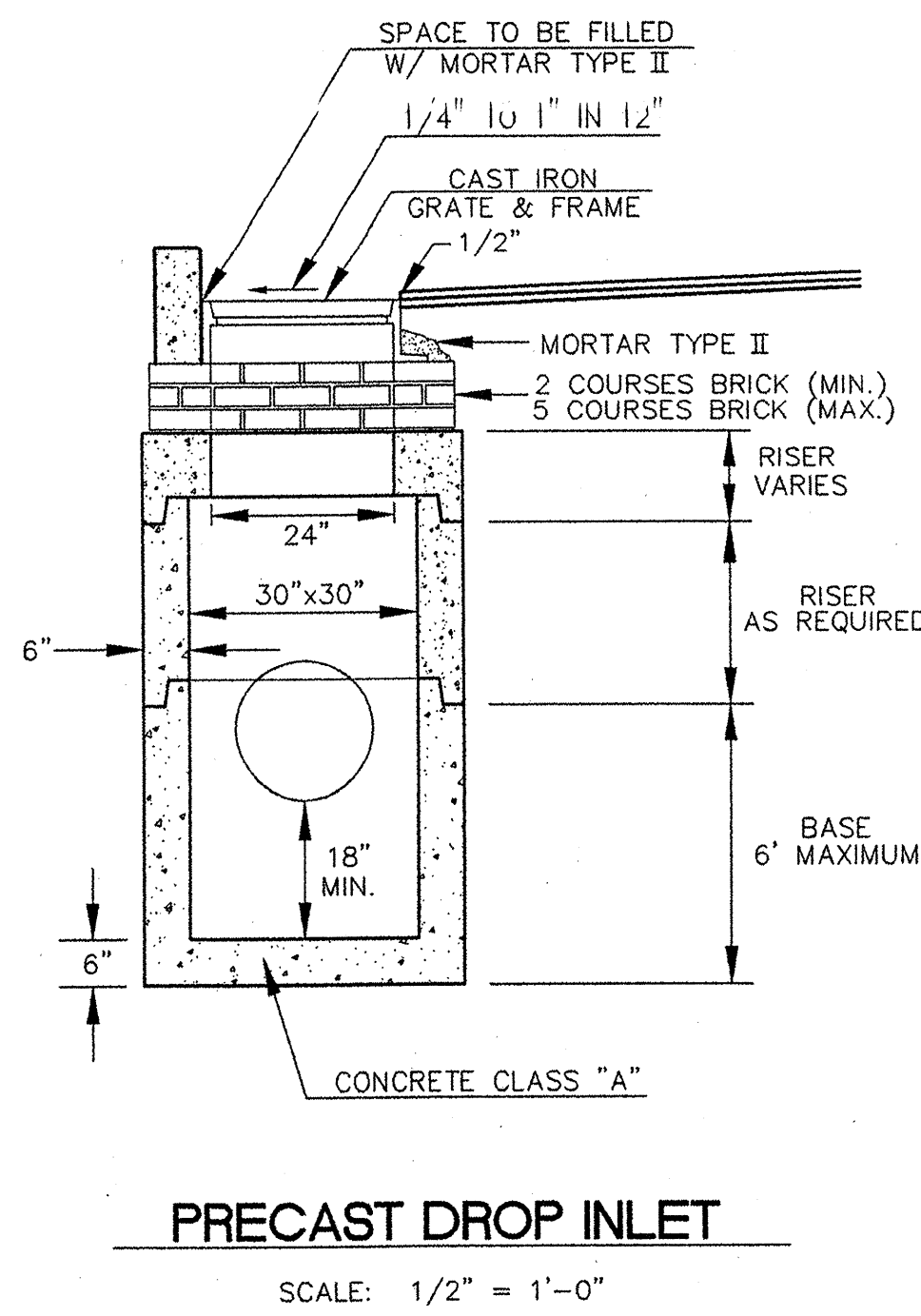
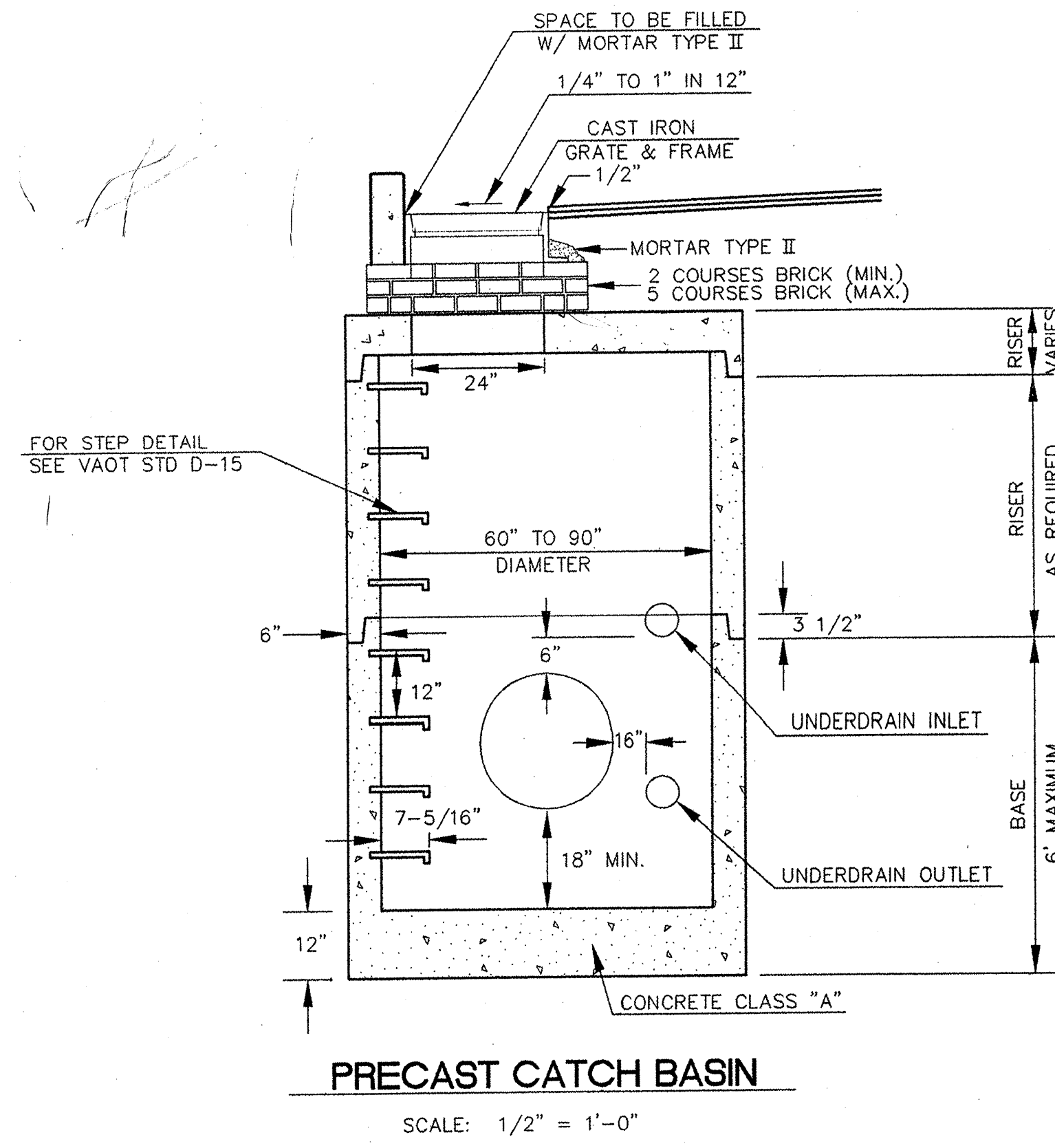
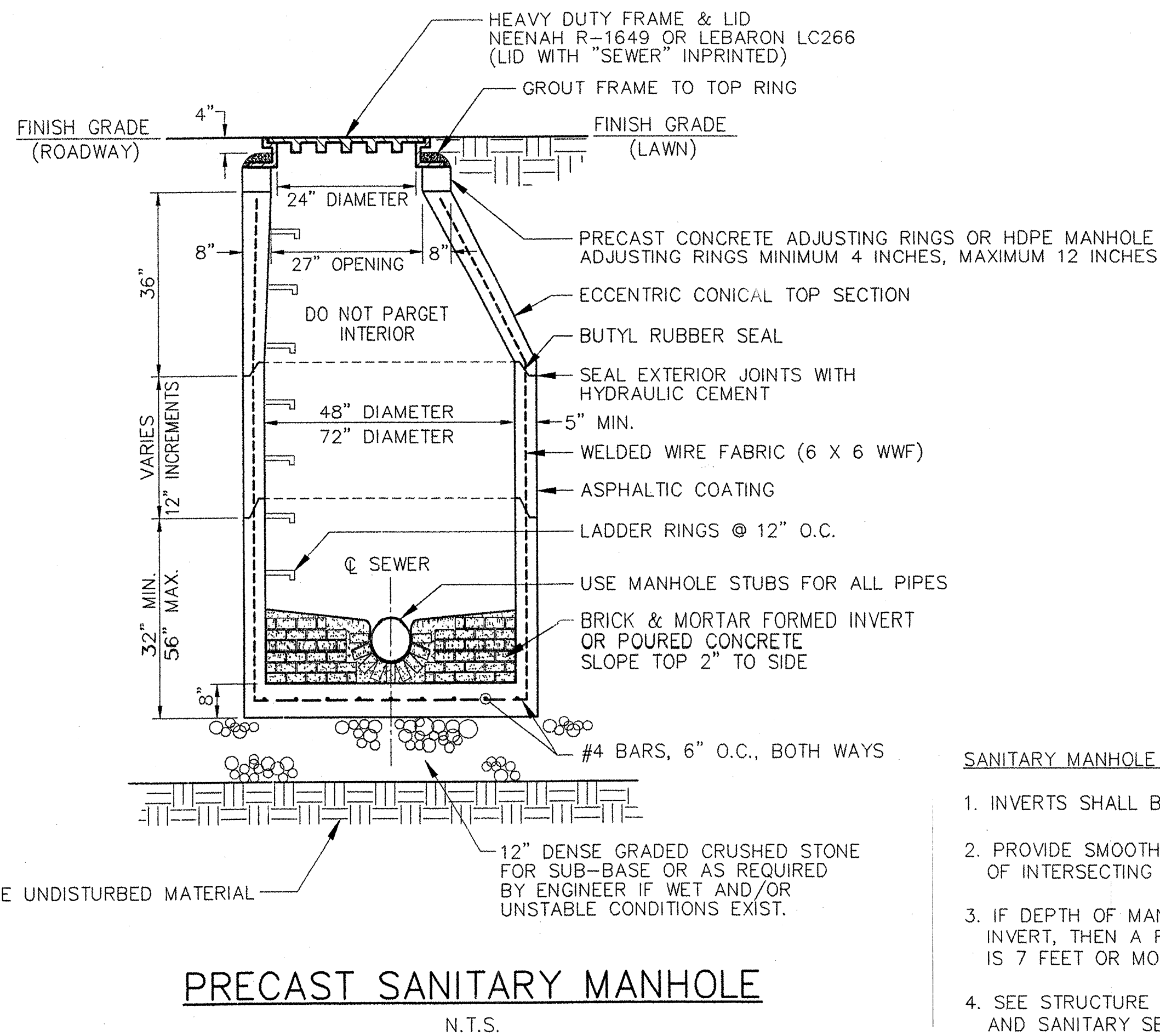
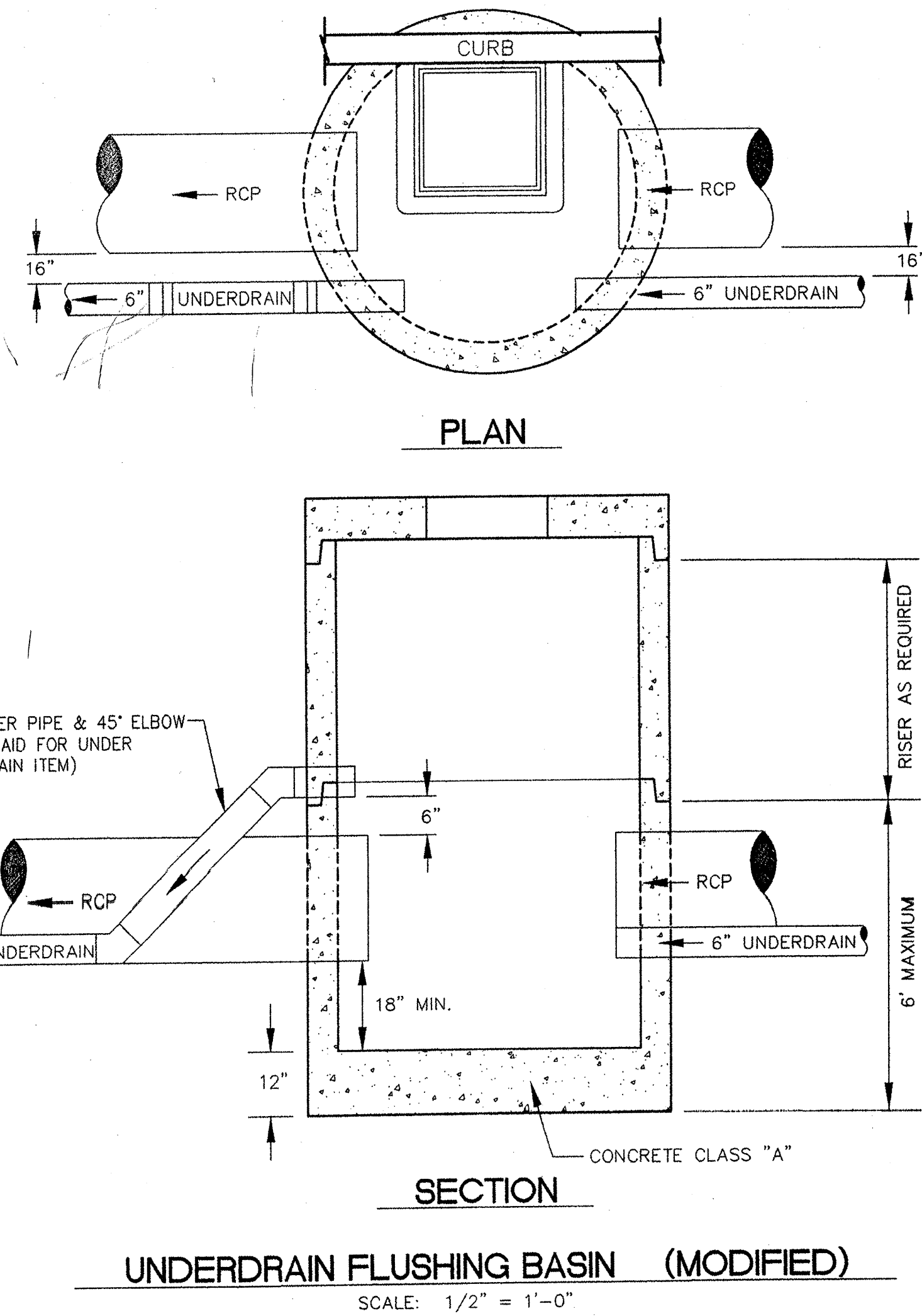


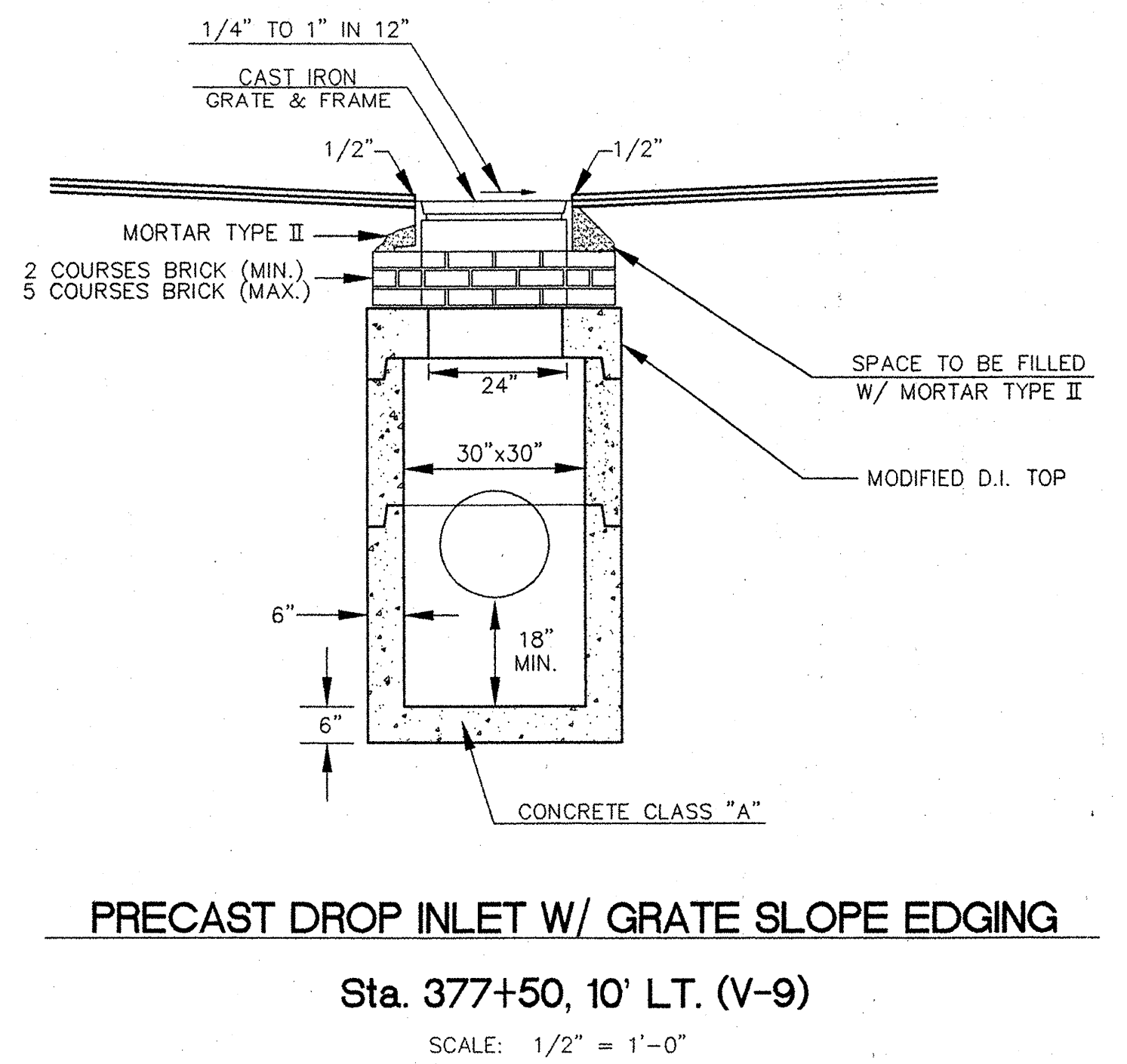
DRAINAGE AND SANITARY STRUCTURE DETAILS



- CONTROL STRUCTURE NOTES:**
1. MODIFY STRUCTURE TO ACCEPT NEW PIPES
 2. PRICE FOR RELOCATION AND/OR NECESSARY MODIFICATIONS TO THE EXISTING STRUCTURE OR A NEW STRUCTURE SHALL BE PAID UNDER ITEM 604.21



- SANITARY MANHOLE NOTES:**
1. INVERTS SHALL BE LINED WITH HARD BRICK OR SDR 35 PVC.
 2. PROVIDE SMOOTH SWEEPING TRANSITIONS BETWEEN INVERTS OF INTERSECTING PIPES.
 3. IF DEPTH OF MANHOLE IS LESS THAN 7 FEET FROM RIM TO INVERT, THEN A FLAT TOP WILL BE INSTALLED. IF DEPTH IS 7 FEET OR MORE, THEN A CONICAL TOP WILL BE INSTALLED.
 4. SEE STRUCTURE DETAIL DRAWING NO. 2 FOR ADDITIONAL DETAILS AND SANITARY SEWER NOTES.



DATUM
VERTICAL NGVD 1929
HORIZONTAL NAD 1927

SHELburnE -- SOUTH BURLINGTON

SURVEYED BY V.S.C. INC. DATE _____
DRAWN BY E.A.A. INC. DATE _____
TRACED BY E.A.A. INC. DATE _____

PROJECT NH-EGC-019-4(28)
STRUCTURE DETAIL DRAWING NO. 1
SHEET NO. 62 OF 283