

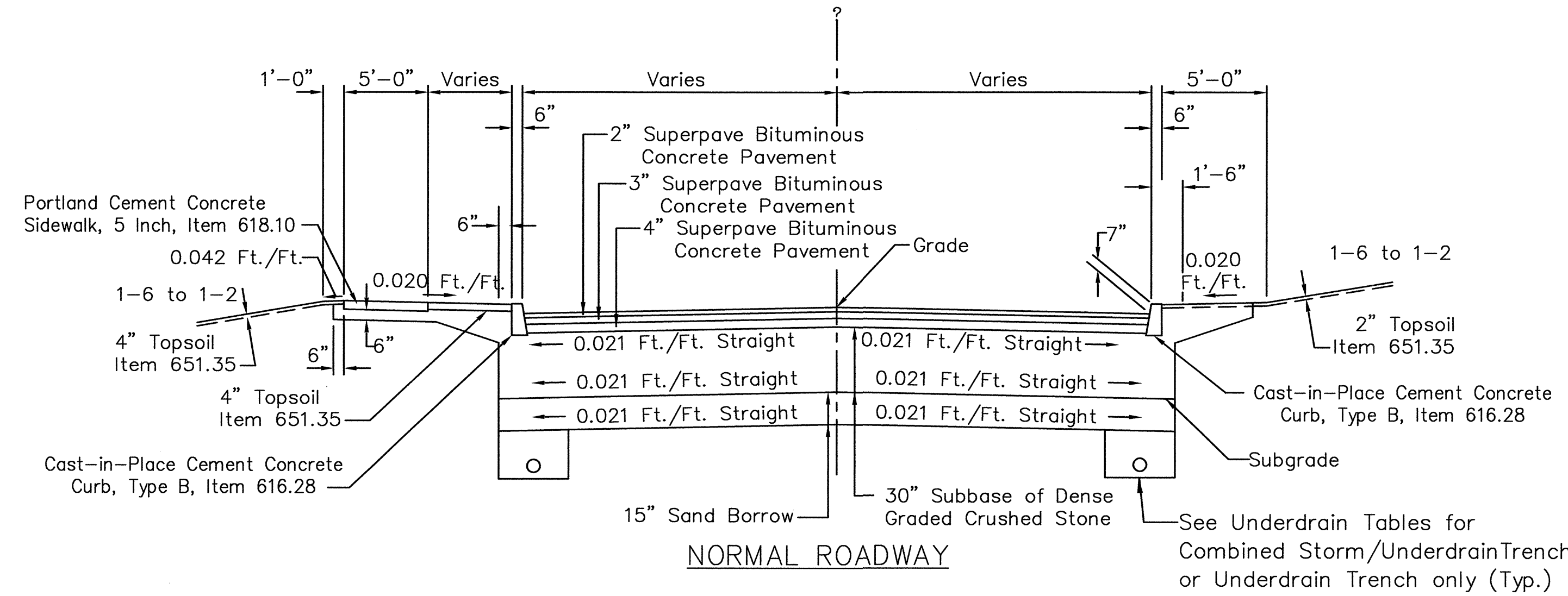
TYPICAL U.S. 7 SECTIONS

EMULSION ASPHALT, ITEM 404.65, SHALL BE APPLIED BETWEEN ALL LIFTS OF PAVEMENT AT A MAXIMUM RATE OF 0.15 Gal./S.Y.

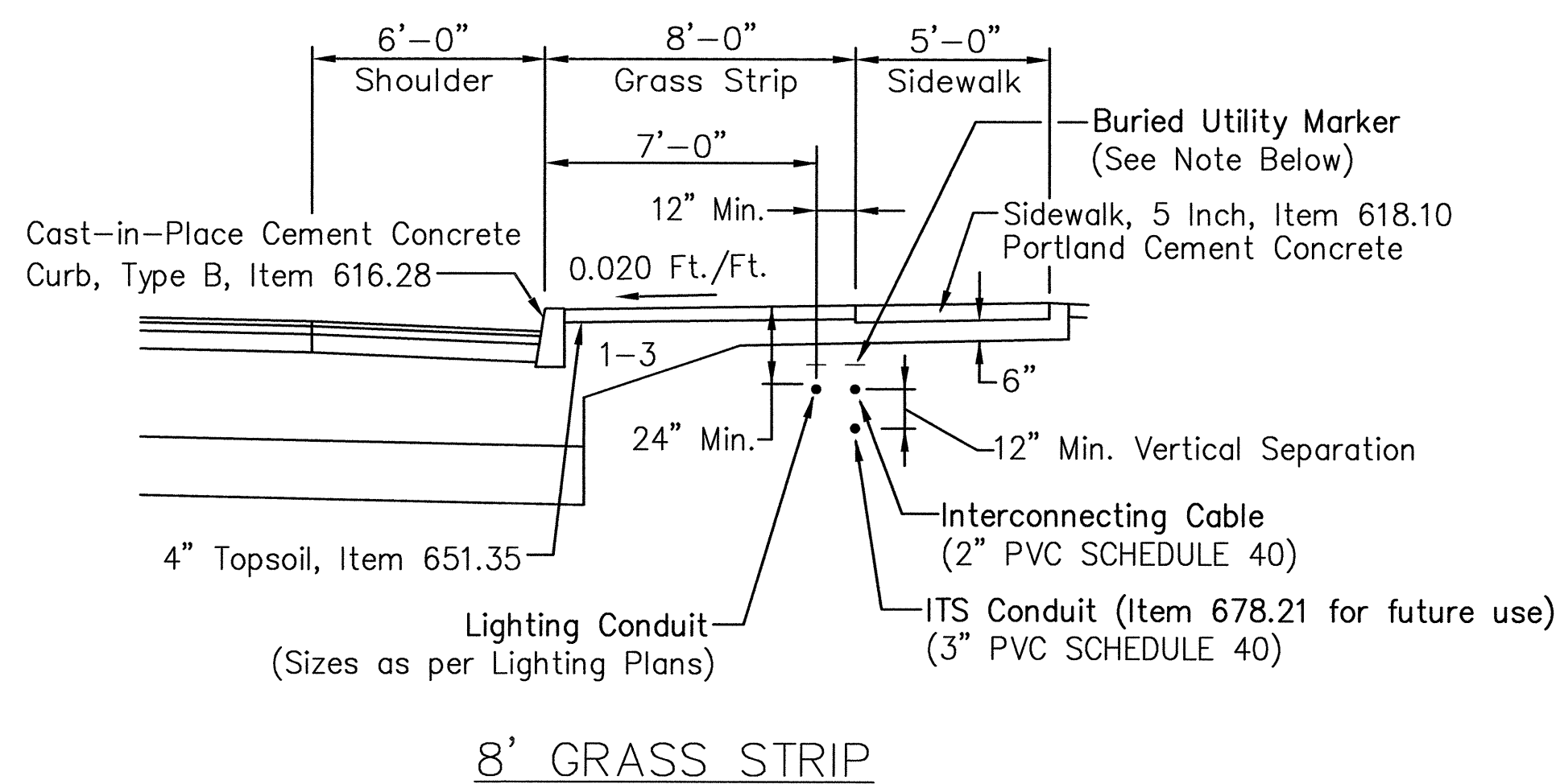
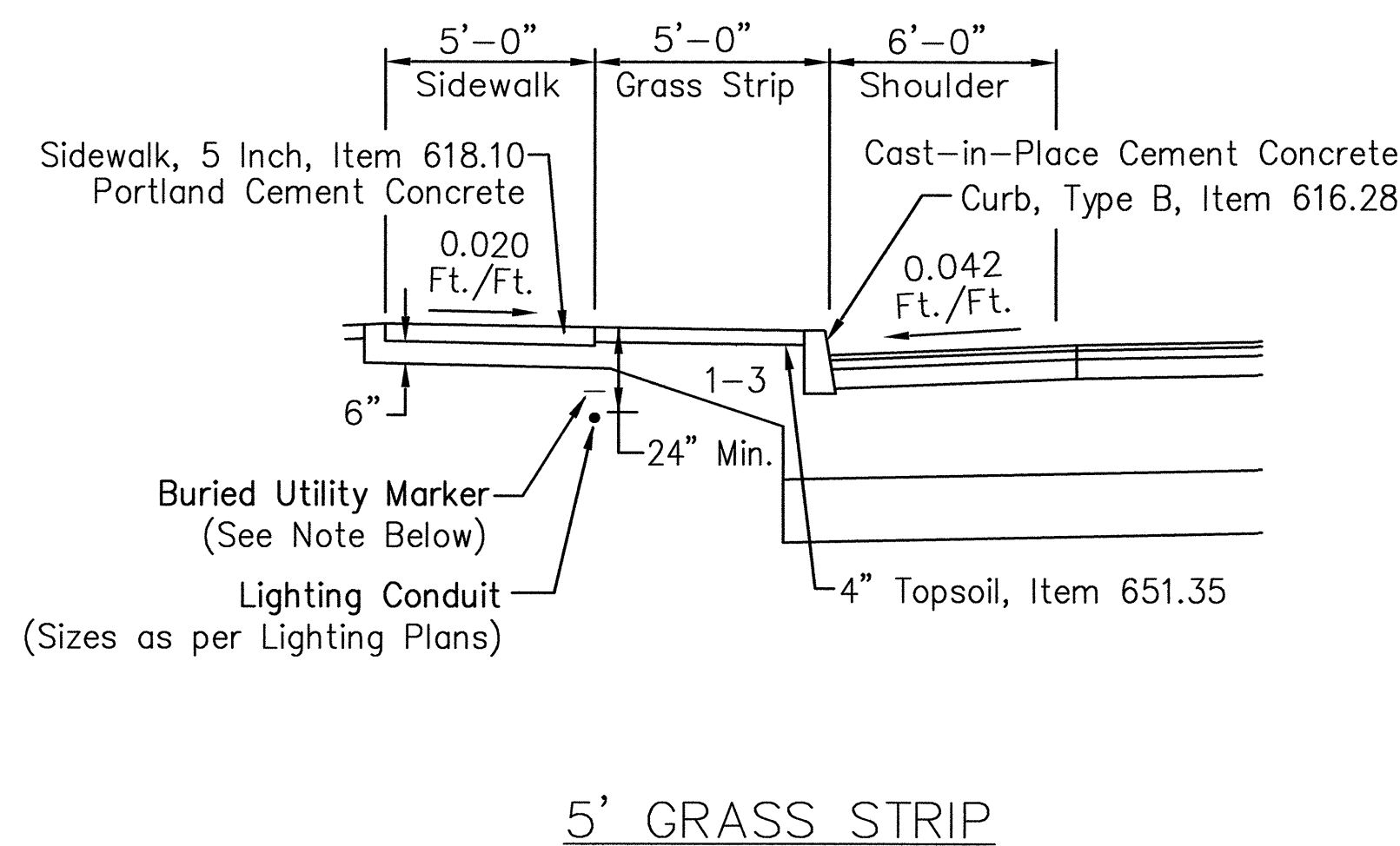
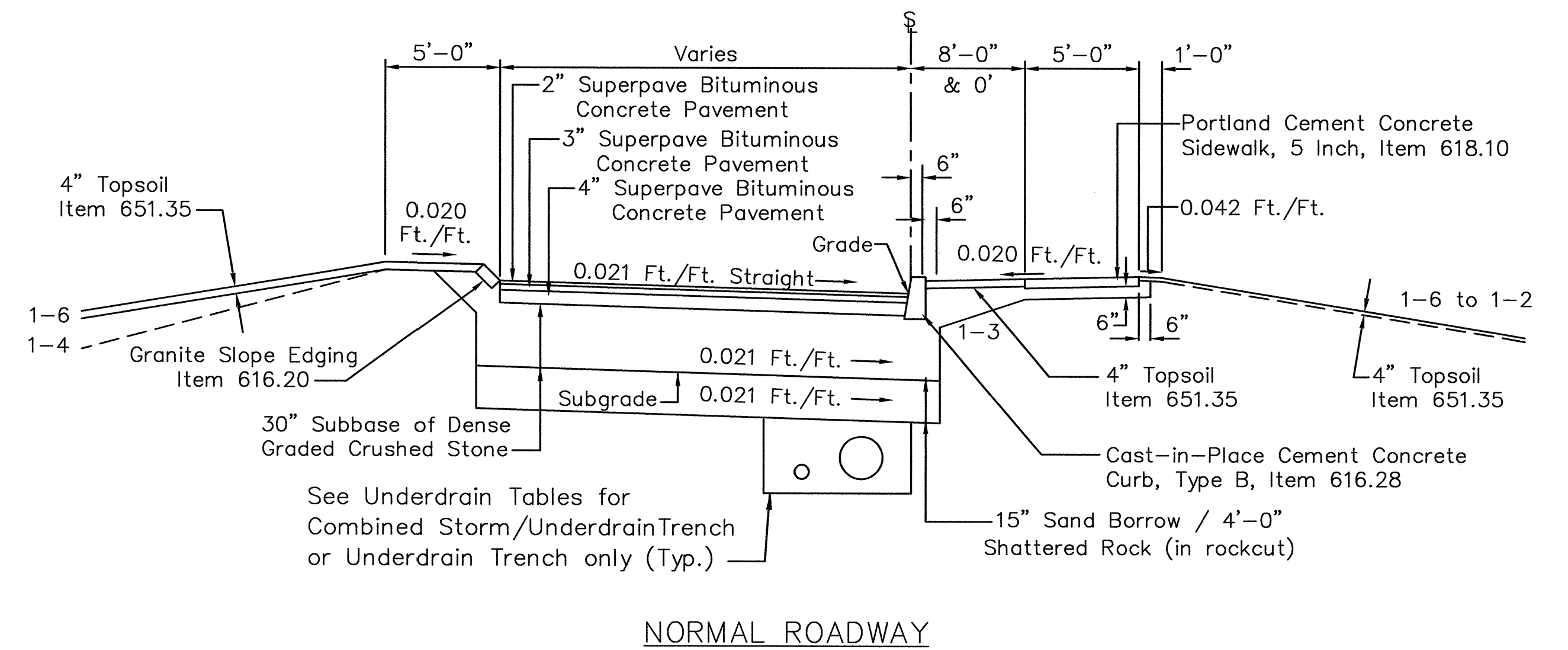
- 2" SUPERPAVE BITUMINOUS CONCRETE PAVEMENT (PG 70-28), ITEM 490.30, WEARING COURSE, TYPE III S
- 3" SUPERPAVE BITUMINOUS CONCRETE PAVEMENT (PG 70-28), ITEM 490.30, BINDER COURSE, TYPE II S
- 4" SUPERPAVE BITUMINOUS CONCRETE PAVEMENT (PG 70-28), ITEM 490.30, BASE COURSE, TYPE I S
- 30" SUBBASE OF DENSE GRADED CRUSHED STONE, ITEM 301.35
- 15" SAND BORROW, ITEM 203.31

ALIGNMENT DEFINITIONS:
 STATION LINE (ξ) REPRESENTS DESIGN LINE OF ROADWAY
 CENTERLINE (ζ) REPRESENTS THE CENTER OF THE HISTORIC (1797) ROW

IDX DRIVE AT ML STA. 423+81.08 RT.



JUGHANDLE H AT ? STA. 419+72.99 RT.



TYPICAL CONDUIT PLACEMENT DETAIL

Note: Six Inch Wide Yellow Plastic Marking Tape Shall Be Placed In The Excavated Trench 6 to 12 Inches Above The Conduit And Sleeve Runs except Those Jacked Under The Roadway.

DATUM
 VERTICAL NGVD 1929
 HORIZONTAL NAD 1927

For Drainage & Underdrain Details
 See Typical Section Dwg. No. 7

For General Notes & Curb Detail
 See Typical Section Dwg. No. 7

SCALE - 1/4" = 1.0'

THICKNESS TOLERANCES
 PAVEMENT 1/4" Total
 SUBBASE 1" Total
 SELECT MATERIAL 1" Total

SHELBURNE - SOUTH BURLINGTON

SURVEYED BY V.S.C. INC. DATE _____
 DRAWN BY E.A.A. INC. DATE _____
 TRACED BY E.A.A. INC. DATE _____

PROJECT NH-EGC-019-4(28)
 TYPICAL SECTION DRAWING NO. 5
 SHEET NO. 8 OF 283

4/4/03

K:\ES3008\US_Rte_7_Shelburne_Rd\File_Transfer\Original_Drawing\TYPICAL\US_7.dwg, Model, 9/5/2008 1:20:07 PM, jaramada, VT-BPL_HP1055cm East/Paper-Final.dwg