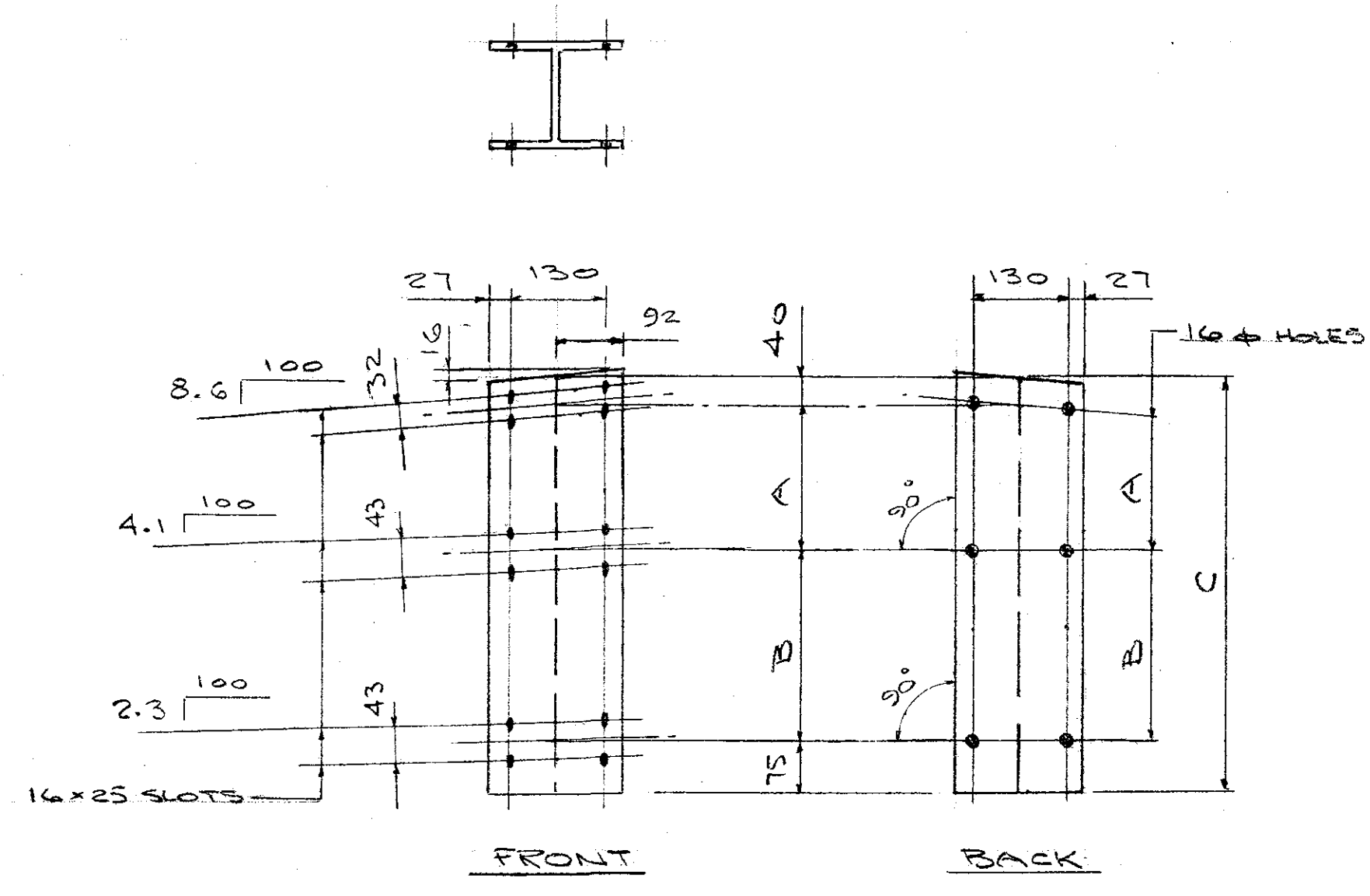


APPROACH POSTS

QUAN	MK	A	B	C	D	E
1	11L	291	446	1980	8.6	16
1	12L	248	428	1980	8.6	16
1	13L	205	410	1980	8.6	16
1	14L	161	394	1980	8.6	16
1	15L	370	0	1830	4.1	9
1	16L	346	0	1830	4.1	9
1	17L	324	0	1830	4.1	9

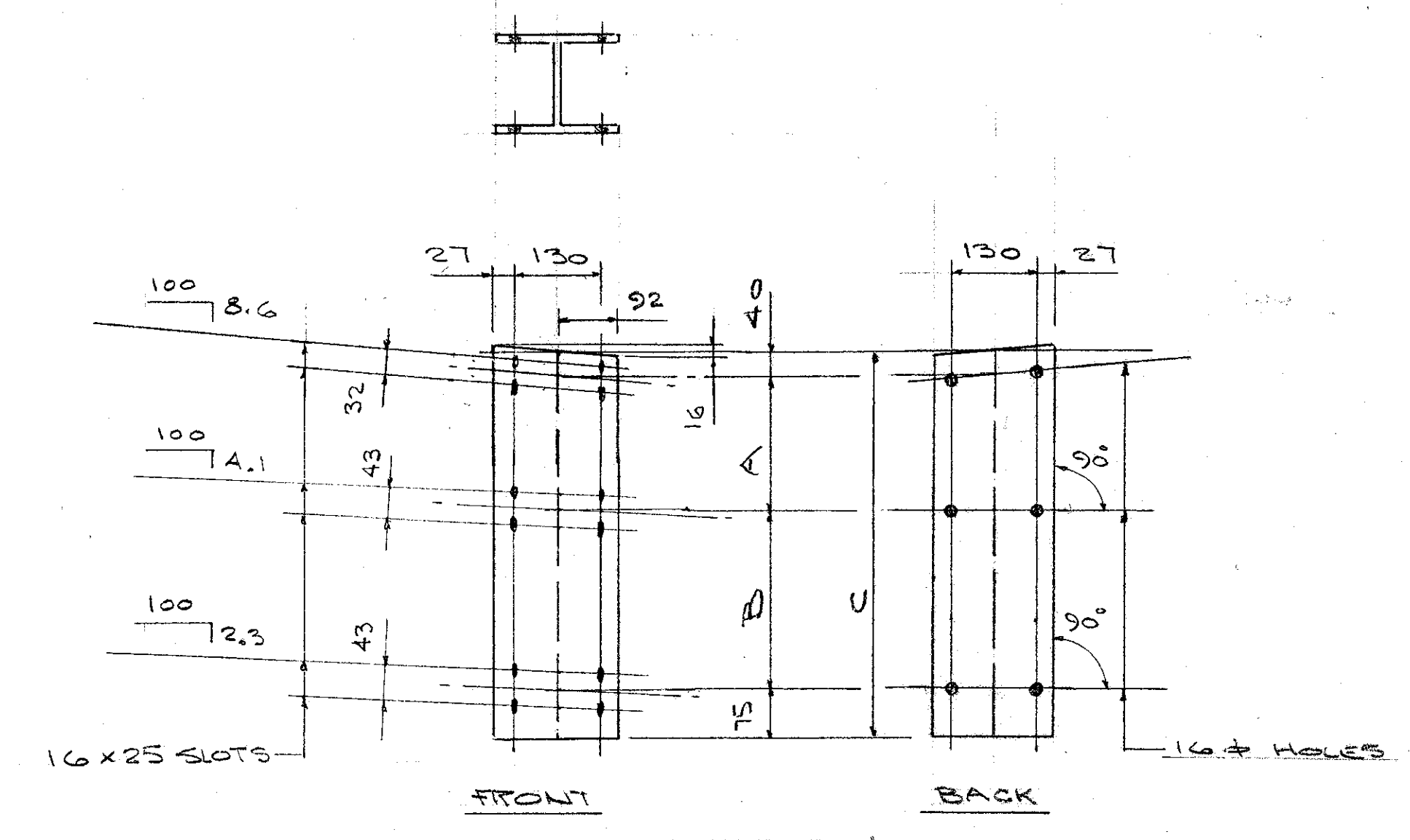
APPROACH POSTS

QUAN	MK	A	B	C	D	E
1	11R	291	446	1980	8.6	16
1	12R	248	428	1980	8.6	16
1	13R	205	410	1980	8.6	16
1	14R	161	394	1980	8.6	16
1	15R	370	0	1830	4.1	9
1	16R	346	0	1830	4.1	9
1	17R	324	0	1830	4.1	9
1	18R	321	0	1830	0	0



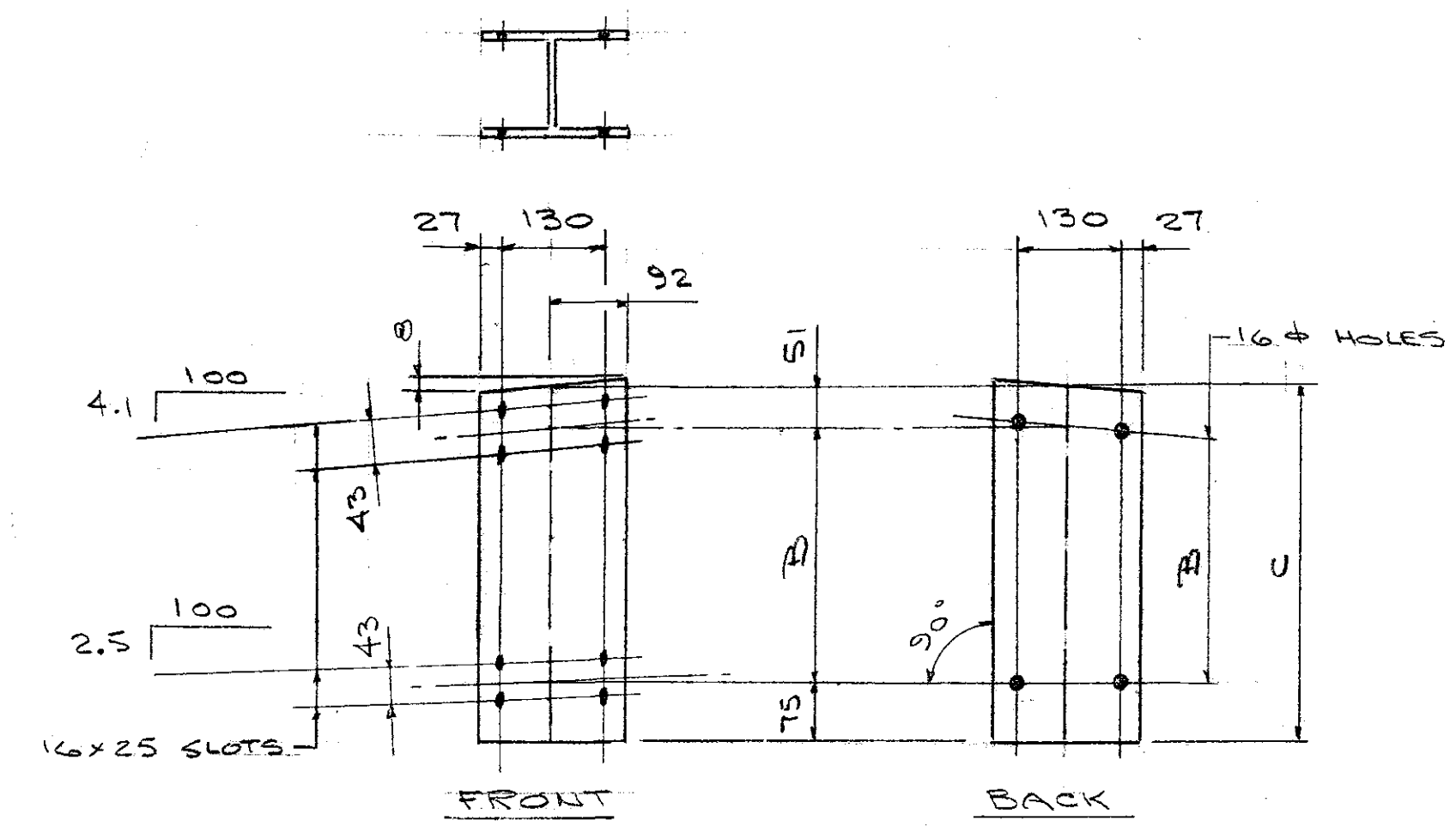
STANDOFFS

QUAN	MK	A	B	C
1	A11L	291	446	852
1	A12L	248	428	791
1	A13L	205	410	730
1	A14L	161	394	670



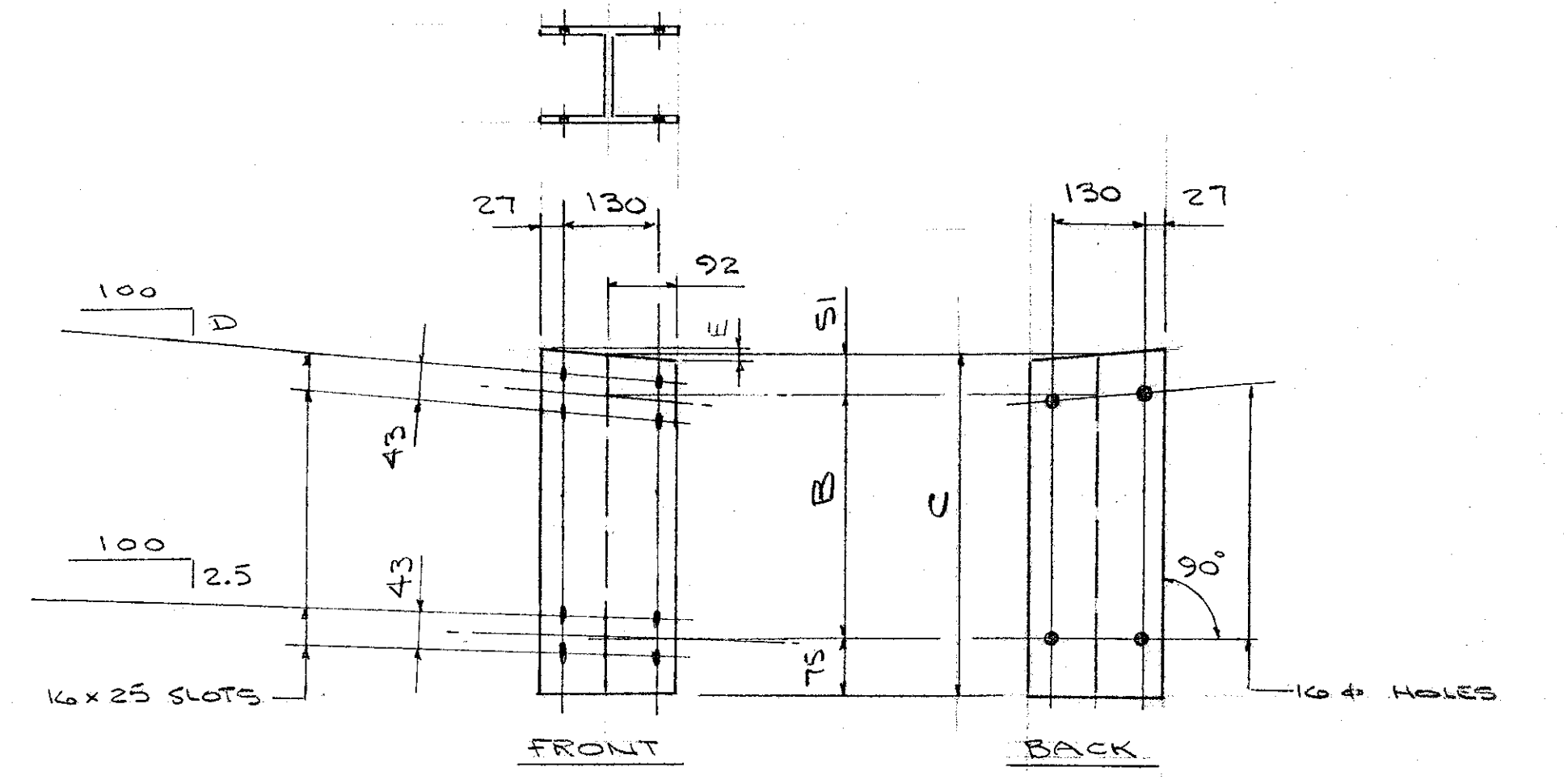
STANDOFFS

QUAN	MK	A	B	C
1	A11R	291	446	852
1	A12R	248	428	791
1	A13R	205	410	730
1	A14R	161	394	670



STANDOFFS

QUAN	MK	B	C
1	A15L	370	496
1	A16L	346	472
1	A17L	324	450



STANDOFFS

QUAN	MK	B	C	D	E
1	A15R	370	496	4.1	8
1	A16R	346	472	4.1	8
1	A17R	324	450	4.1	8
1	A18R	321	447	0	0

RECEIVED
 DESIGNED BY _____
 CHECKED BY _____
 DATE _____
 DIM'S ARE GIVEN IN MILLIMETERS

AUCIELLO IRON WORKS INC
 560 MAIN ST. HUDSON, MA (978) 568-8382

VT. AGENCY OF TRANSPORTATION
 HARDWICK #BHF 030-2(18)S
 BRIDGE #27

INSTALL OVER COOPER BROOK
 APPROACH RAIL AT SAFETY CURB

SURFACE PREP: _____ FINISH: _____
 FOR: F.R. LAFAYETTE, INC
 DR. WM 9-24-09 DWG. NO.
 CHK. 9-24-09

ISSUE	DATE	DESCRIPTION	BY
1	9/22/09	FOR APPROVAL	TS
AR01010-1001			

BR-2965
 SHEET F3 OF 6