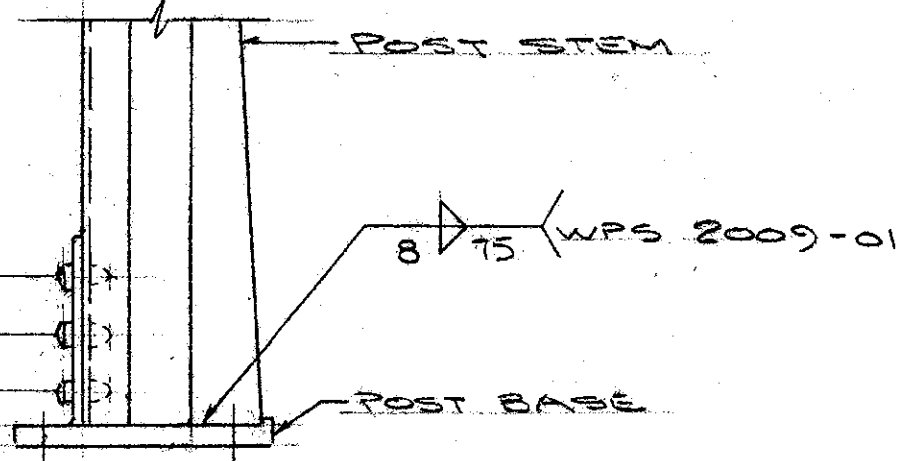
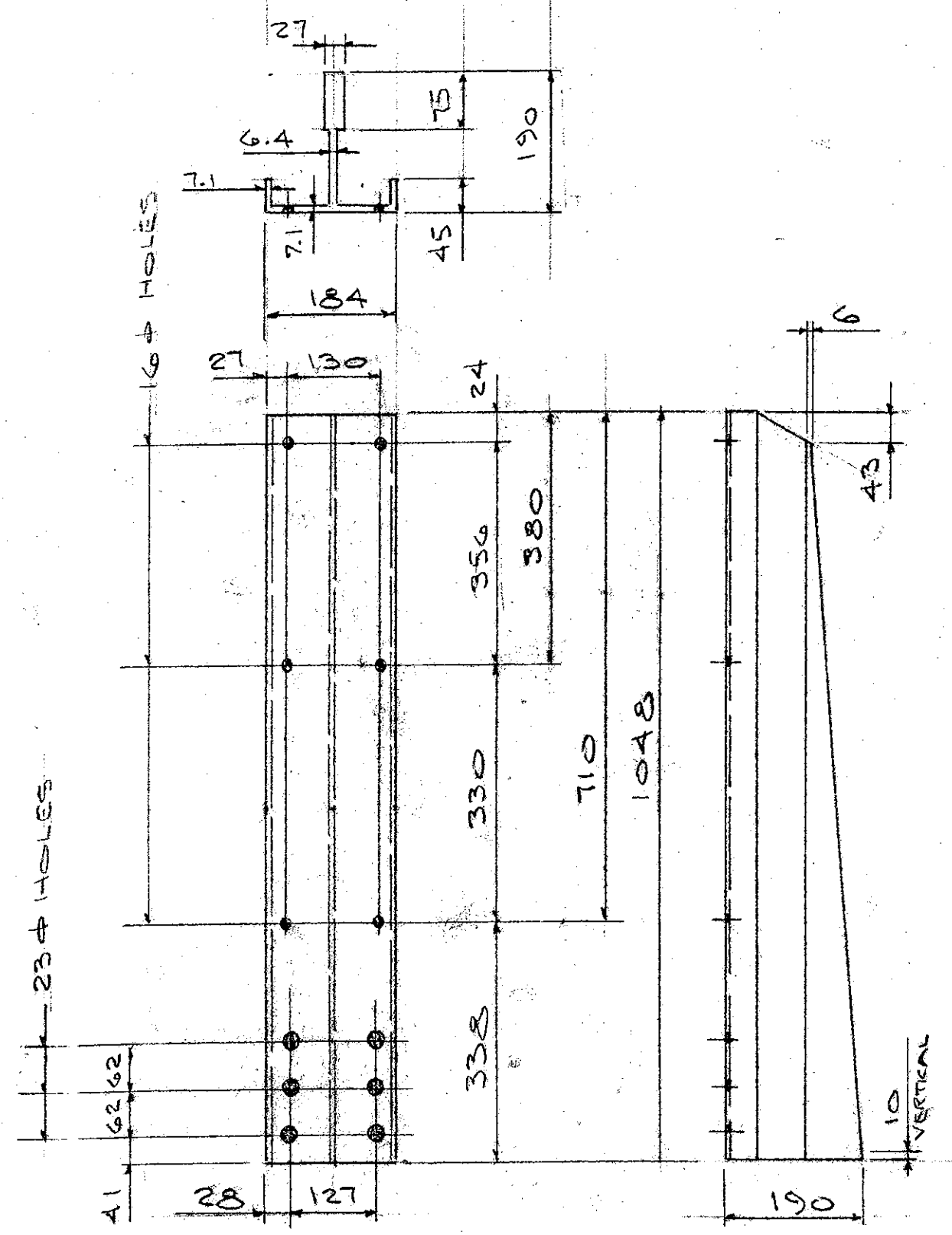


(18) POST BASE
ALLOY 6061-T6

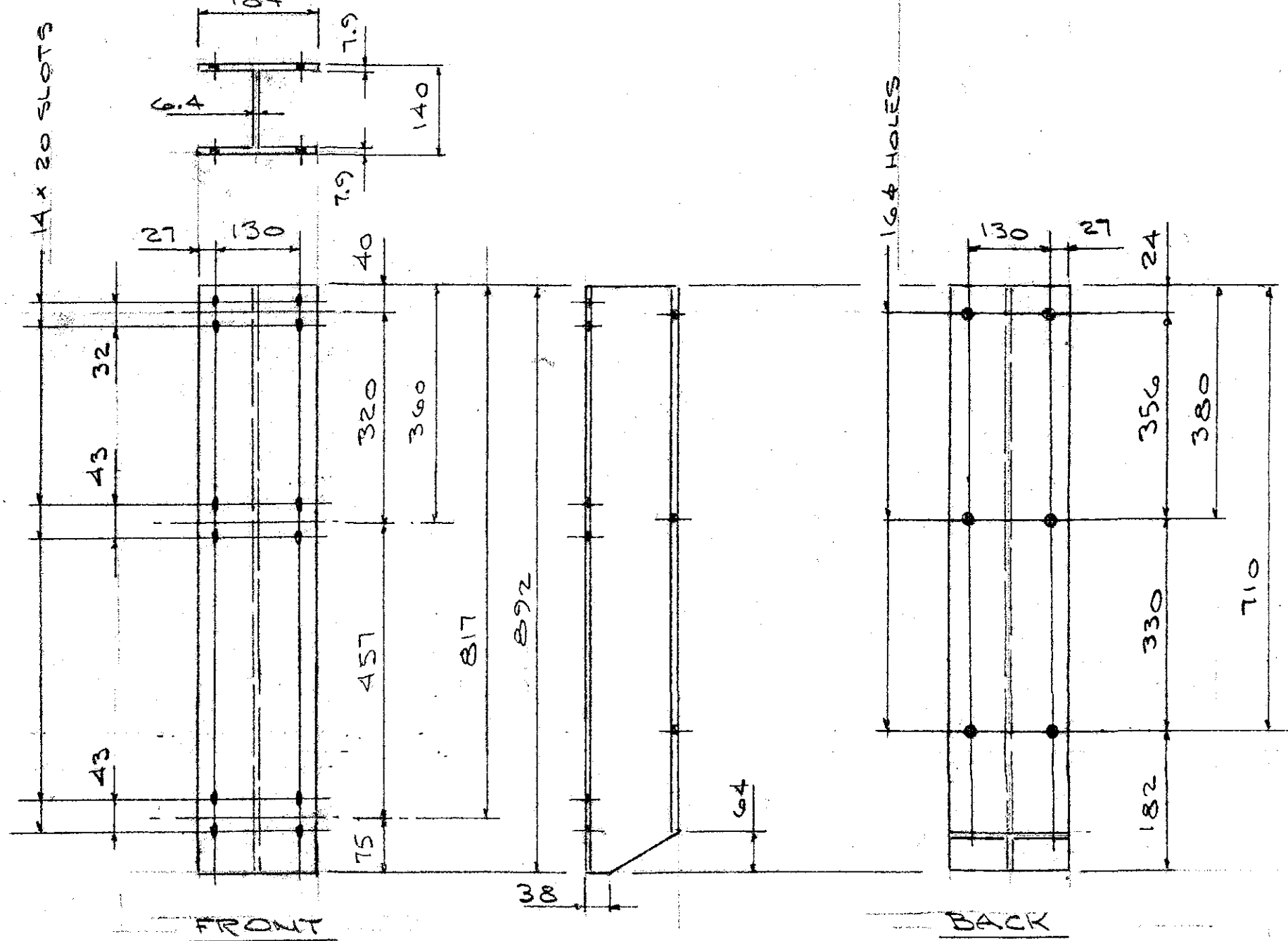
(6) .22# ALUM. RIVETS
ALLOY 6061-T6
COLD DRIVEN



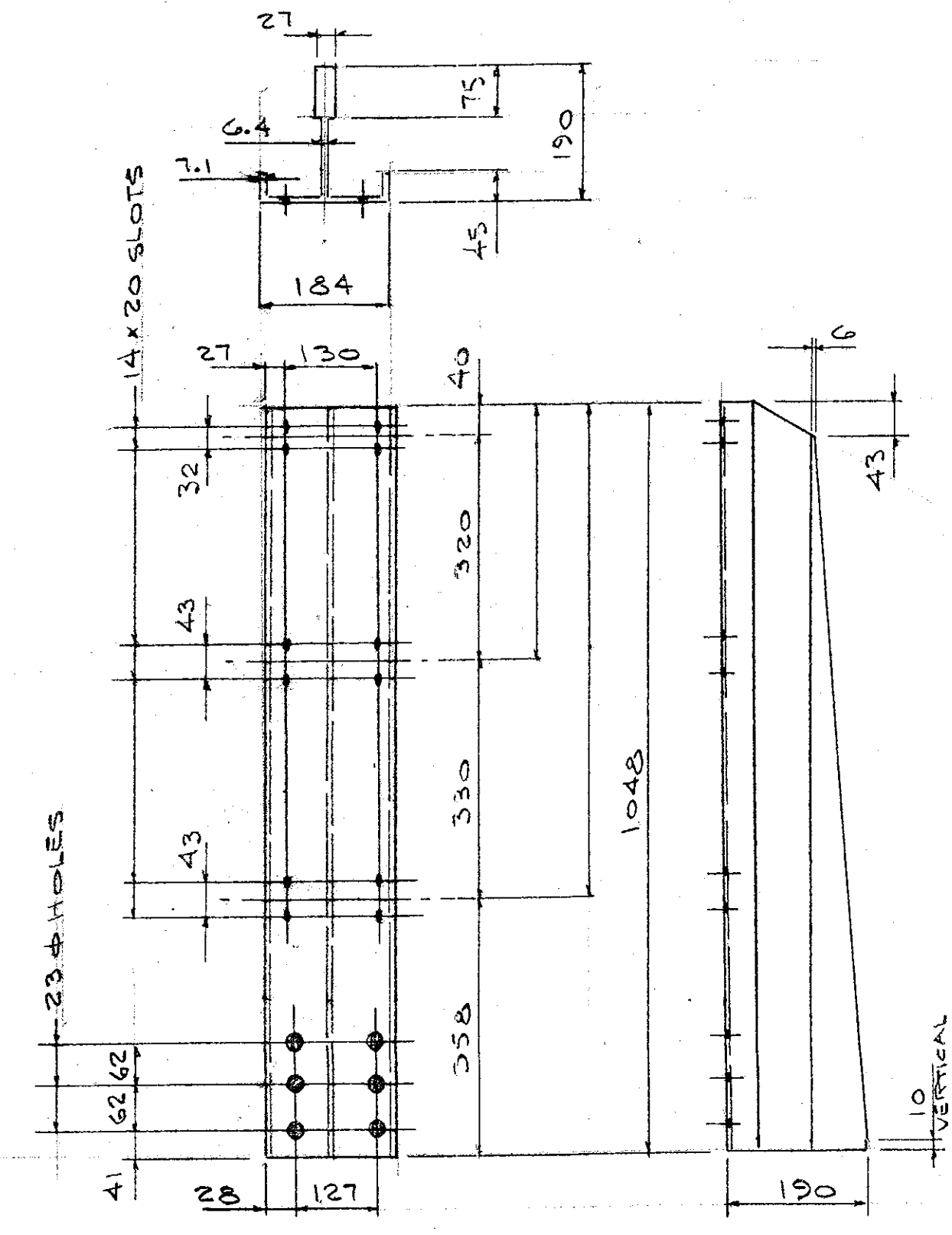
POST ASSEMBLY



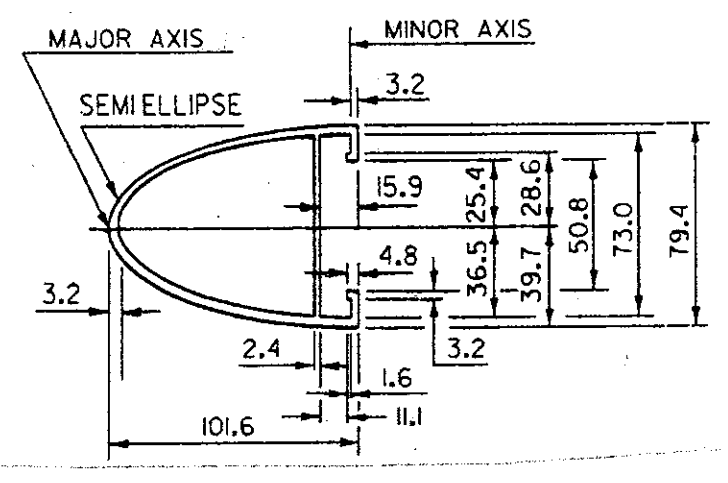
(9) POST STEM P1
ALLOY 6061-T6



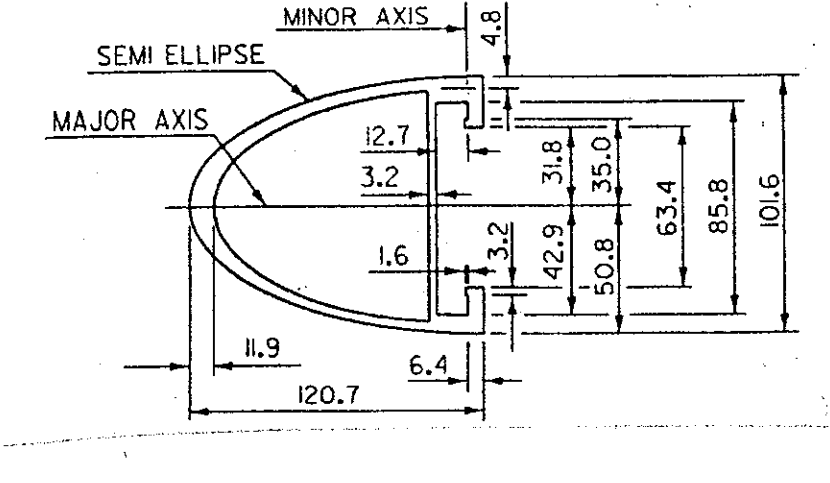
(9) STANDOFF P10B
ALLOY 6061-T6



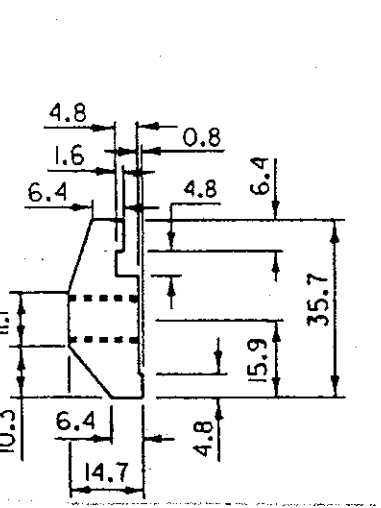
(9) POST STEM P2
ALLOY 6061-T6



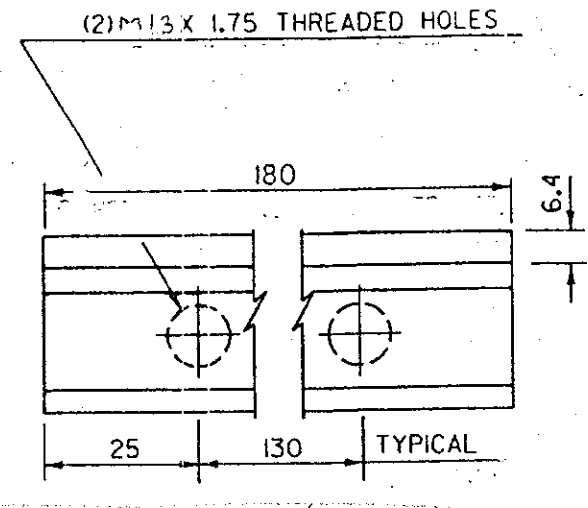
HANDRAIL EXTRUSION
ALLOY 6061-T6



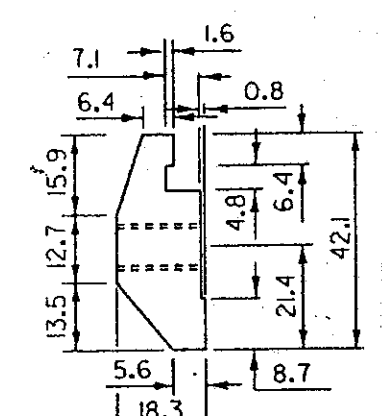
TRAFFIC RAIL EXTRUSION
ALLOY 6061-T6



(68) #4 CLAMP BAR



TYP. CLAMP BAR
DETAIL
ALLOY 6061-T6



(188) #1 CLAMP BAR

RECEIVED
OK'D BY _____
SEP 29 2009
REQUEST APPROVED
BY _____ DATE _____

RECEIVED
OK'D BY _____
SEP 26 2009
REQUEST APPROVED
BY _____ DATE _____

DIM'S ARE GIVEN IN MILLIMETERS	
AUCIELLO IRON WORKS INC 560 MAIN ST. HUDSON, MA (978) 568-8382	
VT. AGENCY OF TRANSPORTATION HARDWICK # BHT 030-2(18)S BRIDGE # 67	
VT. 15 OVER COOPER BROOK	
ALUM. BRIDGE RAILING	
SURFACE PREP: NONE	FINISH: BLACK ANODIZE
FOR: FIELAFAYETTE, INC	
DR: VM 9-10-09	DWG NO. BR-2965
CHK: _____	JOB NO. _____
BY: AS07010-1001	SHEET F1 OF 6

1	9/26/09	FOR APPROVAL	3
ISSUE	DATE	DESCRIPTION	BY