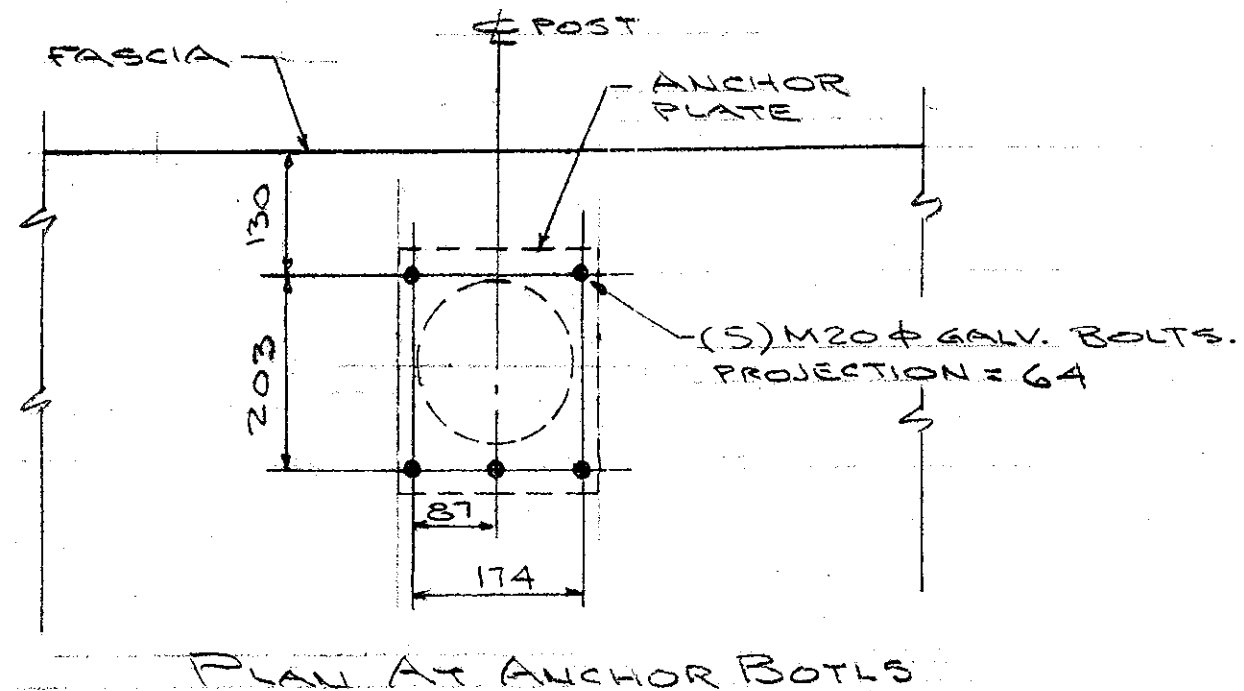
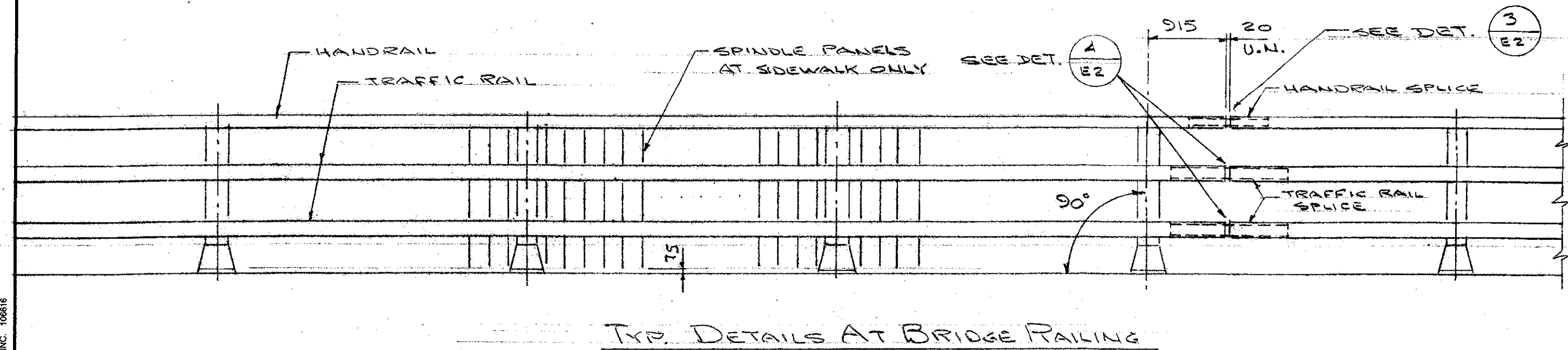
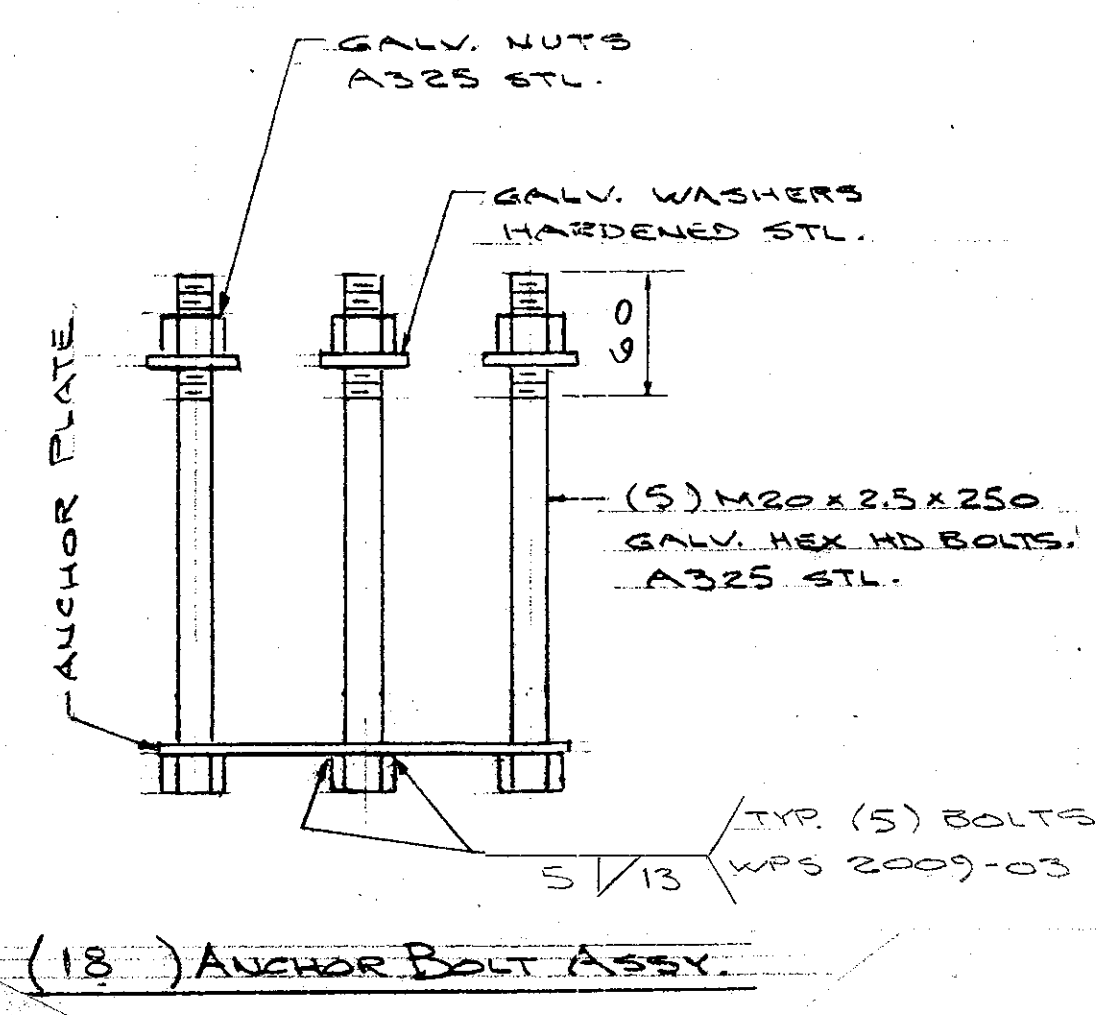
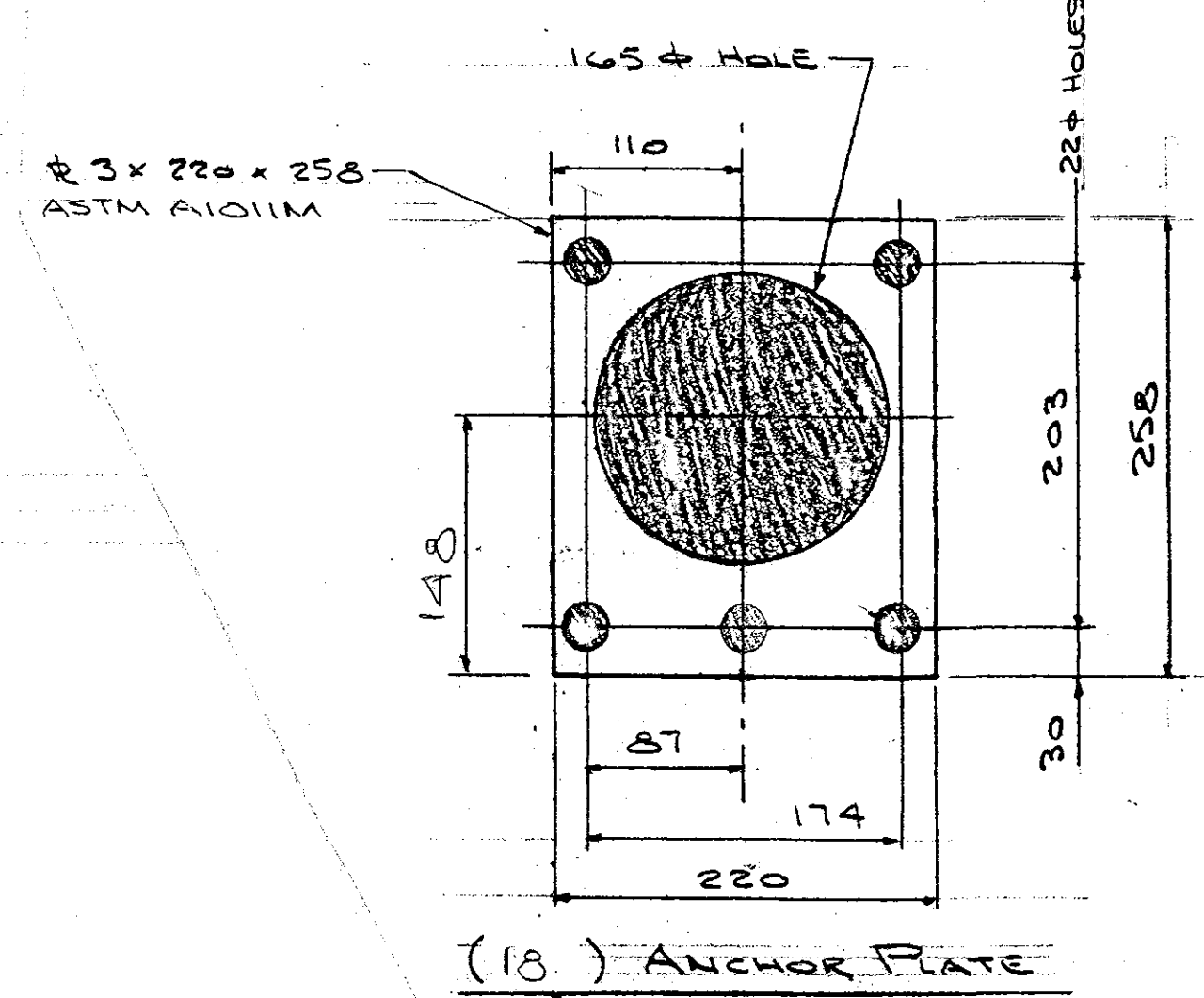
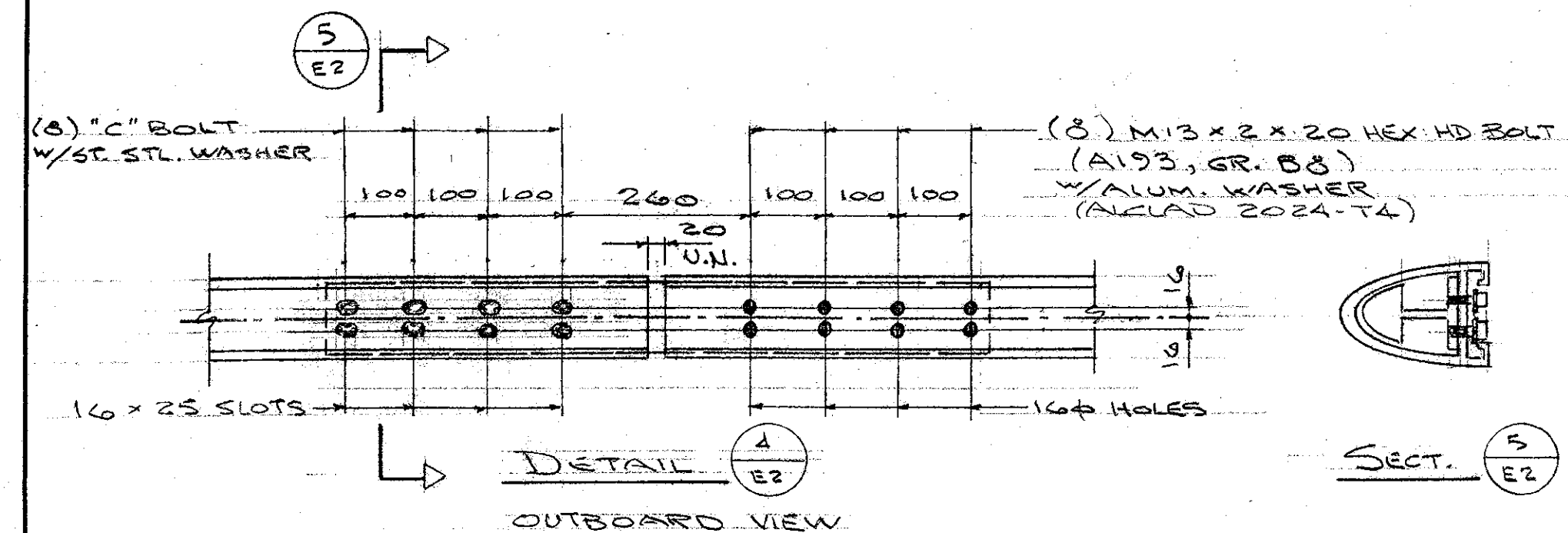
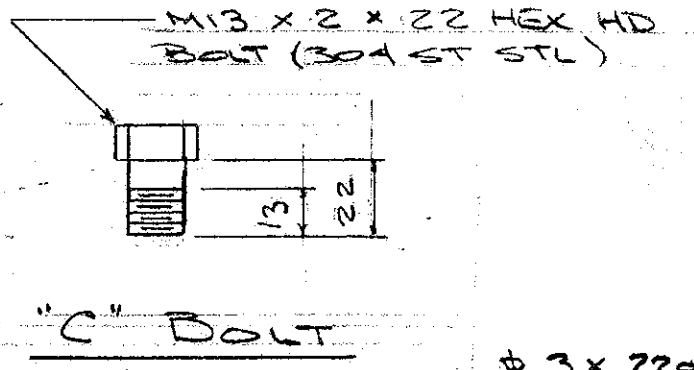
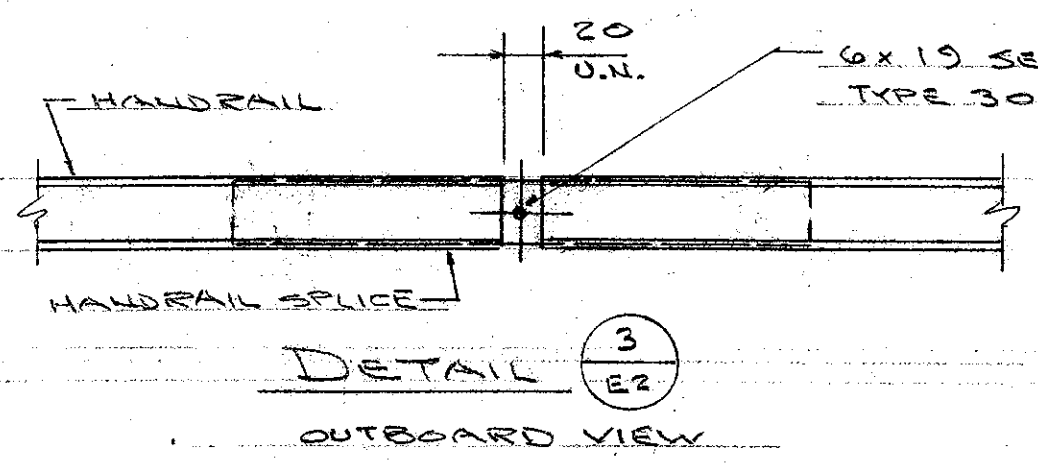
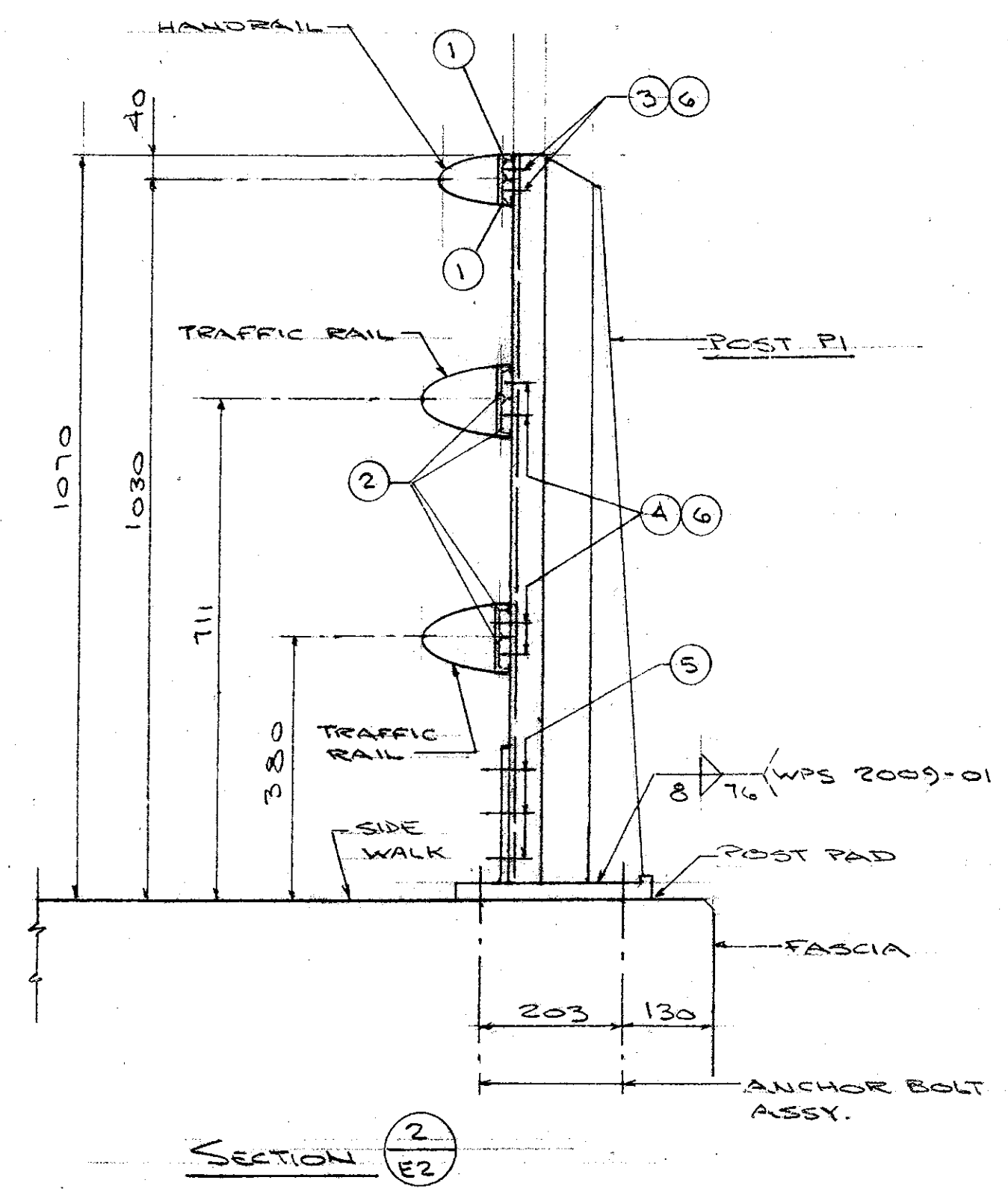


- 1 #4 CLAMP BAR
- 2 #1 CLAMP BAR
- 3 M13 x 2 x 20 HEX HD CAP SCREW (A193, GRADE B8)
- 4 M13 x 2 x 25 HEX HD CAP SCREW (A193, GRADE B8)
- 5 22 DIA. ALUM. RIVET (6061-T6), BUTTON HD., CONE POINT, COLD DRIVEN.
- 6 ALUM. WASHER 27 O.D. x 14 I.D. x 2.3 THK. (ALCLAD 2024-T4)
- 7 M13 x 2 x 38 HEX HD CAP SCREW (304 ST. STL.)
- 8 M13 x 2 HEX NUT (304 ST. STL.)
- 9 REFLECTORIZED DELINEATOR (WHITE) PER SPECS. LOCATE EVERY 9M, OR CLOSEST POST. TYPICAL AT BRIDGE RAIL & APPROACH RAIL
- 10 #8 x 19 ST STL SELF-TAPPING SCREW. DRILL POSTS IN FIELD.



RECEIVED
 ORDER BY: DRJ
 DATE: 10/14/09

ALL DIMENSIONS ARE GIVEN IN MILLIMETERS

AUCIELLO IRON WORKS INC
 560 MAIN ST. HUDSON, MA (978) 568-8382

VT. AGENCY OF TRANSPORTATION
 HARDWARE # SHF 030-2(18)S
 BRIDGE # 67
 VT. 15 OVER COOPER BROOK

ALUM. BRIDGE RAILING

SURFACE PREP: NONE FINISH: BLACK ANODIZE

FOR: F.R. LAFAYETTE, INC.
 DR: WM 9-3-09 DWG. NO.
 CHK: B 9-4-09 BR-2965

ISSUE	DATE	DESCRIPTION	BY
2	9/24/09	FOR APPROVAL	
1	9/1/09	FOR APPROVAL	

AS07010-1001 SHEET E2 OF 4