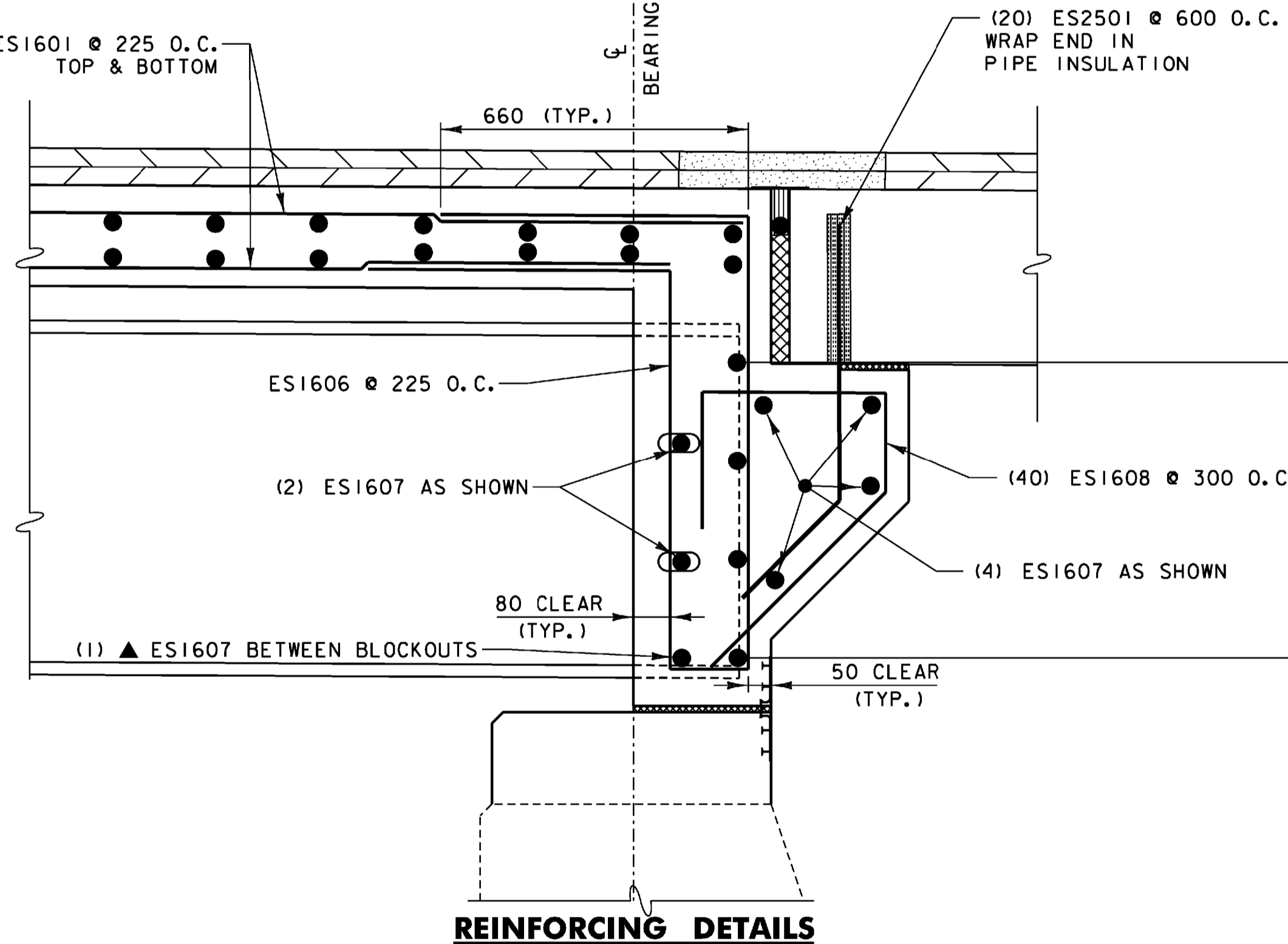
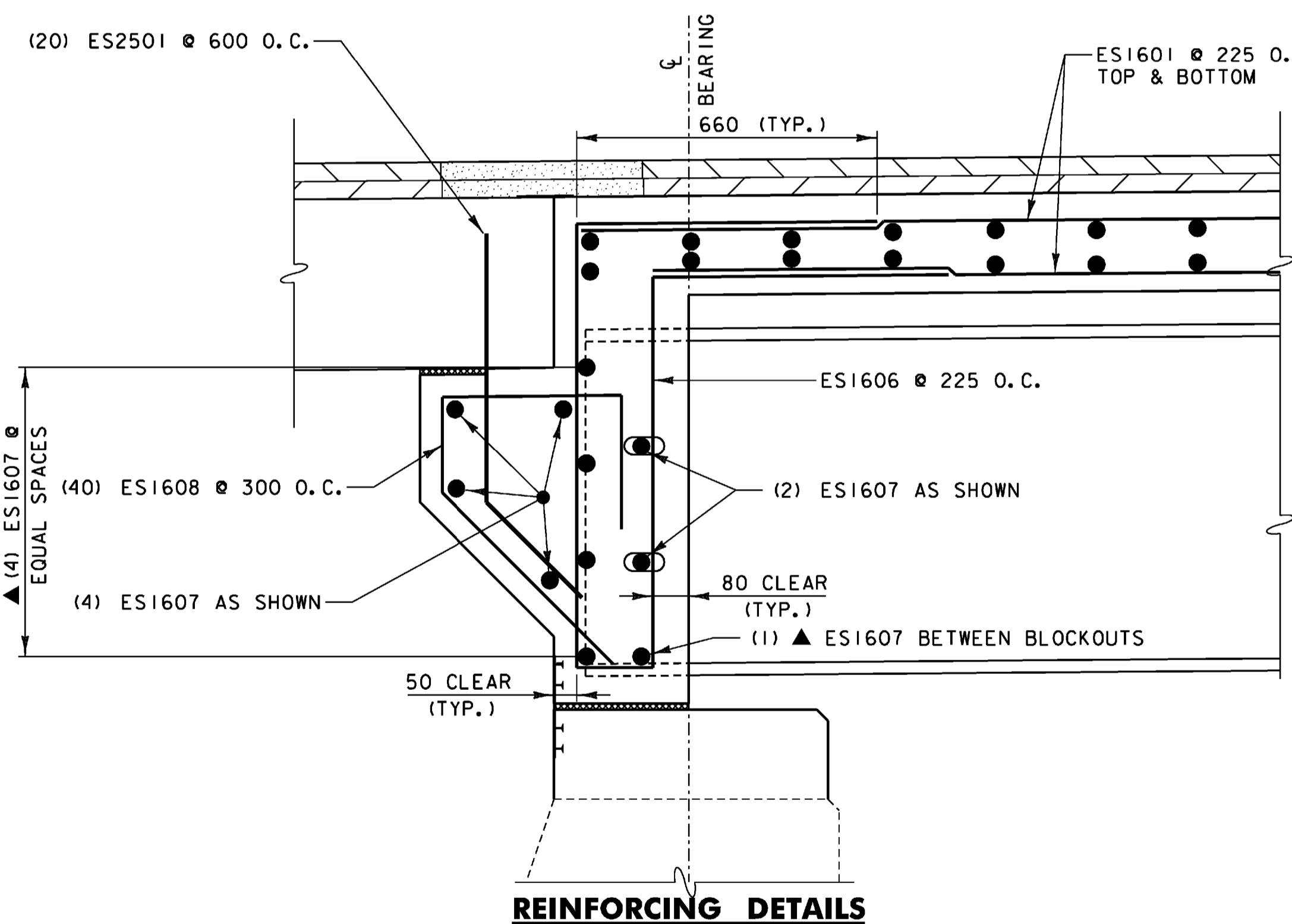
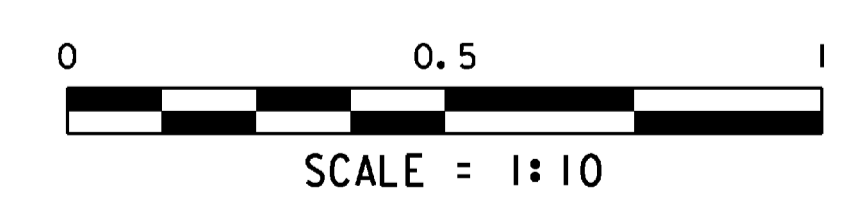


NOTE:
PAYMENT FOR BOND BREAKER, EXPANSION MATERIAL, PIPE INSULATION, AND WATERSTOP SHALL BE INCIDENTAL TO ADJACENT CONCRETE.

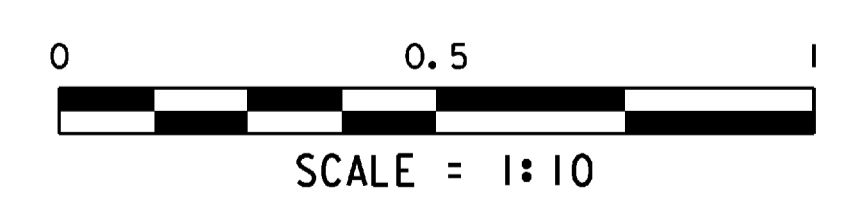


NOTE:
NF = NEAR FACE
FF = FAR FACE
EF = EACH FACE
T&B = TOP AND BOTTOM
▲ = CUT TO FIT IN FIELD
80 CLR. UNLESS OTHERWISE SPECIFIED ON THE PLANS.
MAXIMUM LAP LENGTH NOT DETAILED SHALL BE 660.

ABUTMENT #1 DECK END DETAIL (FIXED END)



ABUTMENT #2 DECK END DETAIL (EXPANSION END)



STATE OF VERMONT AGENCY OF TRANSPORTATION			
Town Of	HARDWICK	Bridge No.	67
Highway No.	VT 15	Log Sta.	
		Surv. Sta.	
VT 15 OVER COOPER BROOK DECK END DETAILS			
Designed By	A.P. GUYETTE	Drawn By	P.G. JARVIS
Checked By	Date	Bridge Design Supervisor	
	E. P. DETRICK	J.W. TUCKER	Date 11/08
PROJECT	HARDWICK	PROJECT NO.	BHF 030-2 (18) S
I.G.C. Info.	DGN#SPEC#		
Bridge Sheet No.		Sheet	21 of 38

