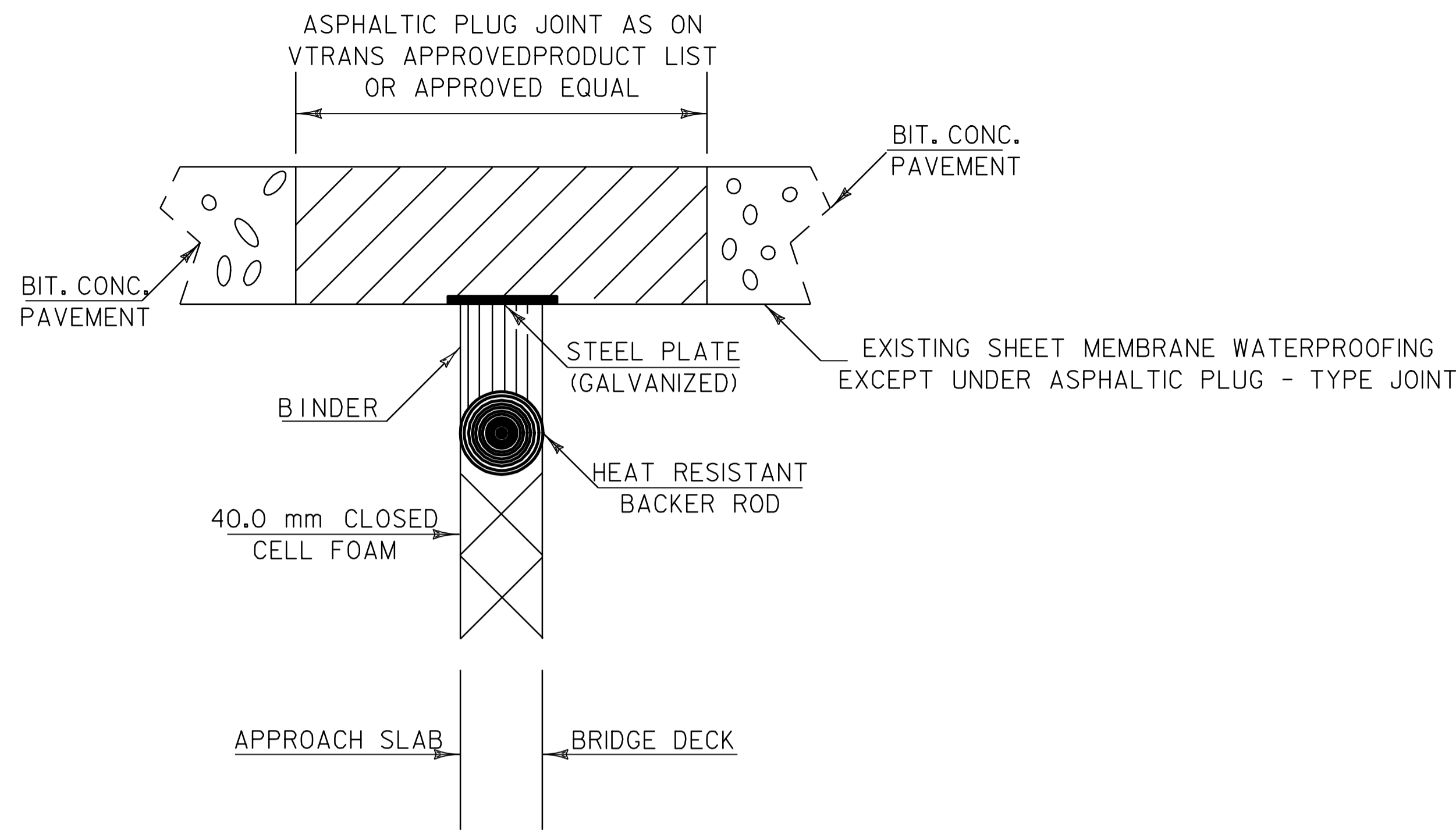


* REFER TO SPECIAL PROVISIONS FOR BASIS OF PAYMENT



ASPHALTIC PLUG-TYPE JOINT DETAIL

CAVENDISH

- BRIDGE #1 (9.4M) @ STA 5+002 (MM 3.108) (@ EXPANSION JOINT)
- BRIDGE #3 (8.0M) @ STA 6+355 (MM 3.949) (@ EXPANSION JOINT)
- BRIDGE #4 @ STA 7+345 (@ EXPANSION JOINT)

RURAL AREA - SEED MIXTURE

| % MASS | kg/ha | NAME | PUR % | GERM % |
|--------|-------|---------------------|-------|--------|
| 37.14 | 26 | CREEPING RED FESCUE | 98 | 85 |
| 37.14 | 26 | TALL FESCUE | 95 | 90 |
| 5.71 | 4 | RED TOP | 95 | 90 |
| 14.30 | 10 | BIRDSFOOT TREFLOIL | 98 | 85 |
| 5.71 | 4 | ANNUAL RYE GRASS | 95 | 85 |
| 100.00 | 70 | | | |

SEED MIXTURE:
SHALL NOT HAVE A WEED CONTENT EXCEEDING 0.40% BY MASS AND SHALL BE FREE OF ALL NOXIOUS WEED SEED.

SEED:
TO BE APPLIED PER SEEDING FORMULAS OR AS DIRECTED BY THE RESIDENT ENGINEER.

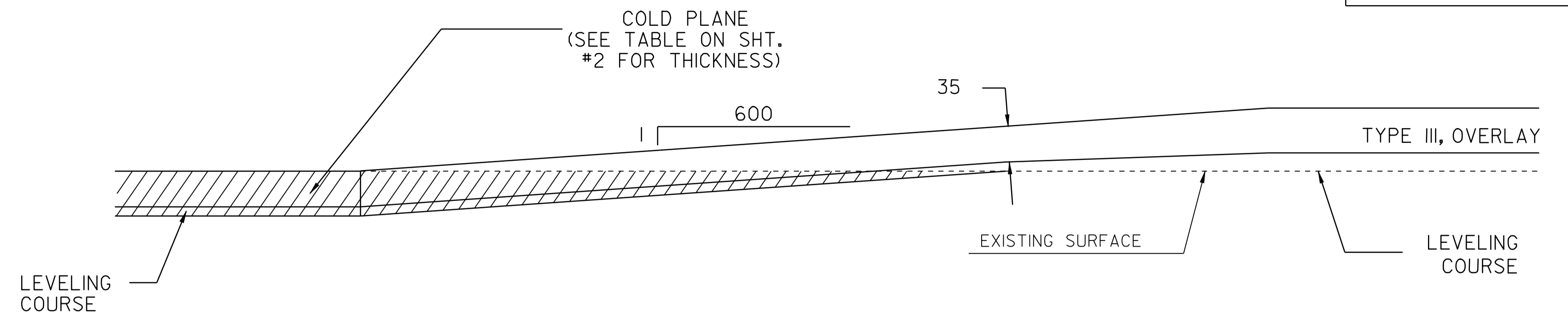
FERTILIZER:
FORMULA 10-20-10 TO BE USED WITH SEED, APPLIED AT THE RATE OF 560 kg/ha. (HYDRO SEEDERS MAY USE 19-19-19 FORMULA)

AGRICULTURAL LIMESTONE:
TO BE APPLIED AT THE RATE OF 4500 kg/ha OR AS DIRECTED BY THE RESIDENT ENGINEER.

HAY MULCH:
TO BE PLACED ON EARTH SLOPES AT THE RATE OF 4500 kg/ha OR AS DIRECTED BY THE RESIDENT ENGINEER.

TOPSOIL:
TO BE USED WITH SEED AS INDICATED ON THE PLANS, OR AS DIRECTED BY THE RESIDENT ENGINEER.

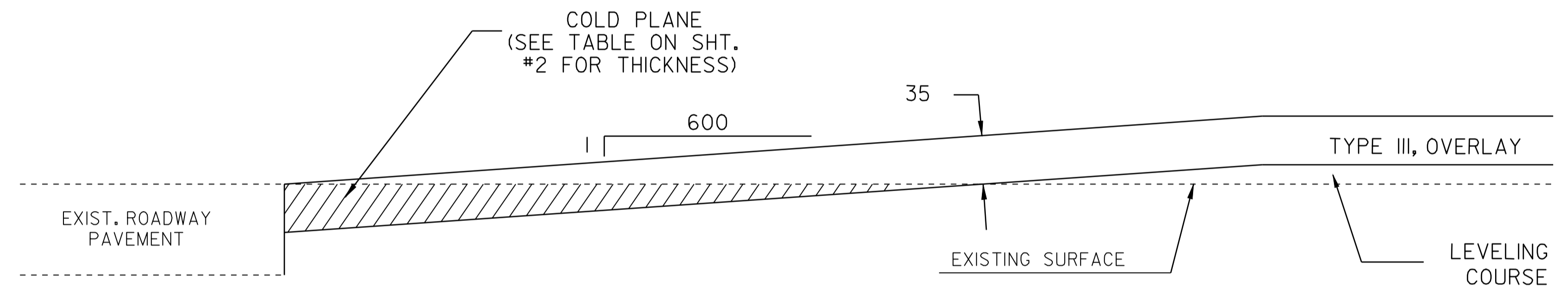
II. AGGREGATE SHOULDERS SHALL BE USED TO BACK UP THE EDGE OF PAVEMENT. A QUANTITY OF 69 TONS PER KILOMETER OF SHOULDER HAS BEEN USED FOR THIS ESTIMATE.



TRANSITION AREA DETAIL

LOCATION

- CAVENDISH
- STA 0+258 - END OVERLAY / BEGIN COLD PLANING
 - STA 1+474 - END COLD PLANING / BEGIN OVERLAY
 - STA 2+889 - END OVERLAY / BEGIN COLD PLANING
 - STA 3+769 - END COLD PLANING / BEGIN OVERLAY

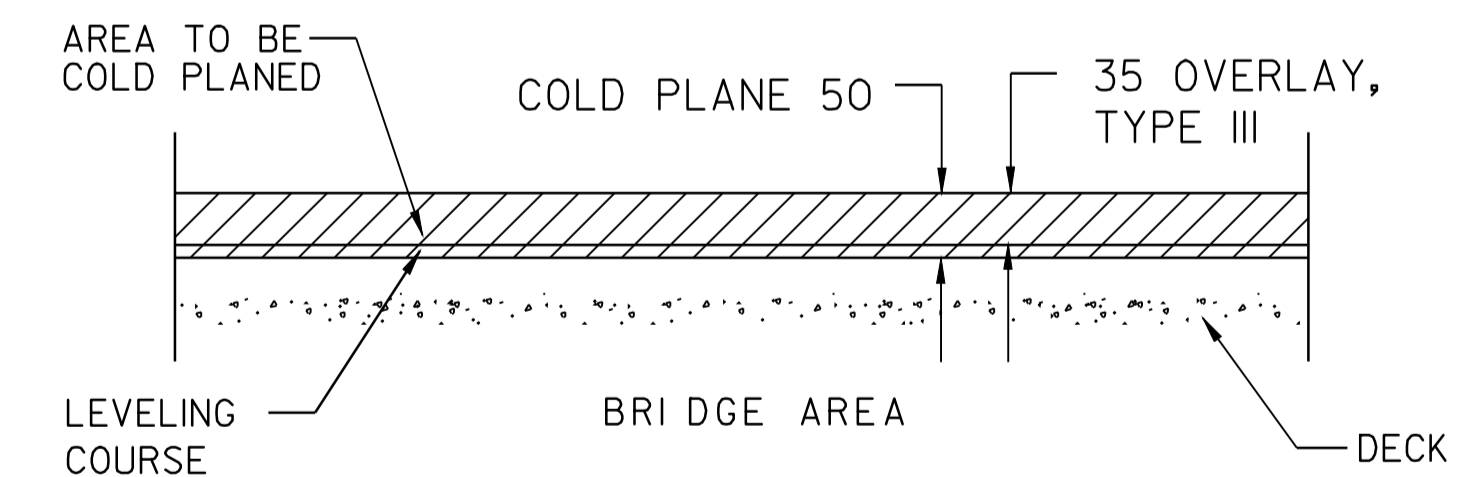


APPROACH AREA DETAIL

LOCATION

- CAVENDISH
- STA 0+007 BEGIN OVERLAY
 - STA 7+364 BRIDGE #4 & APPROACHES
 - STA 7+438 BRIDGE #4 & APPROACHES

- WEATHERSFIELD
- STA 2+121 END OVERLAY



BRIDGE COLD PLANE DETAIL

BRIDGE #1: STA 4+979 TO STA 5+025, CAVENDISH

**ARCHIVED
IN DPR**

NOTE: ALL DIMENSIONS IN MILLIMETERS EXCEPT AS INDICATED

| | |
|------------|--|
| DATUM | |
| VERTICAL | |
| HORIZONTAL | |

**PROJECT
TYPICAL
SHEET**

| | |
|--|-----------------------------|
| PROJECT: CAVENDISH - WEATHERSFIELD | PROJECT NO.: STP 966(K)S |
| DESIGN FILE NAME: /pave/95ci34/pcl34.dgn | PLOT DATE: 27-JAN-2006 |
| IPARM FILE NAME: pcl34ty2.i | SURVEY DATE: 06/97 |
| SURVEYED BY: CLD, Inc. | DRAWN BY: JPC |
| SQUAD LEADER: JAW | SHEET: 3 OF 32 |

NOT TO SCALE