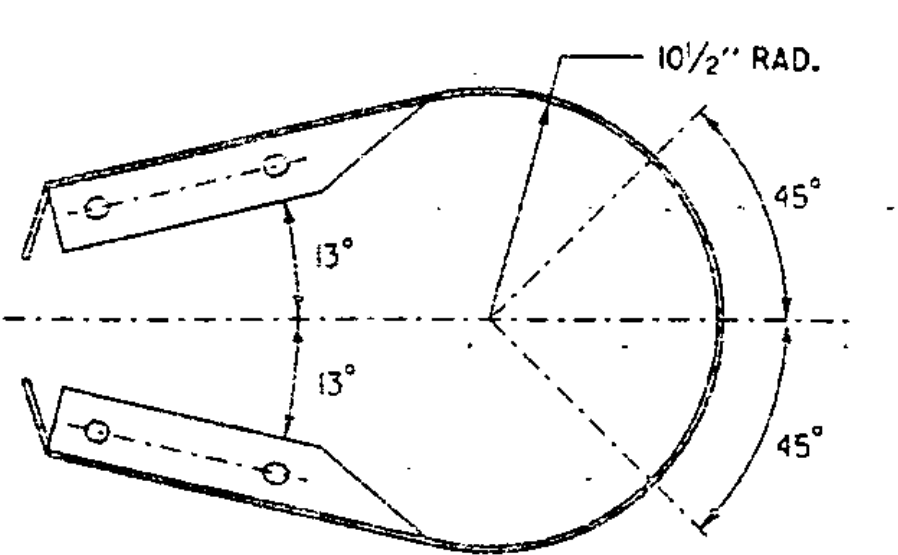
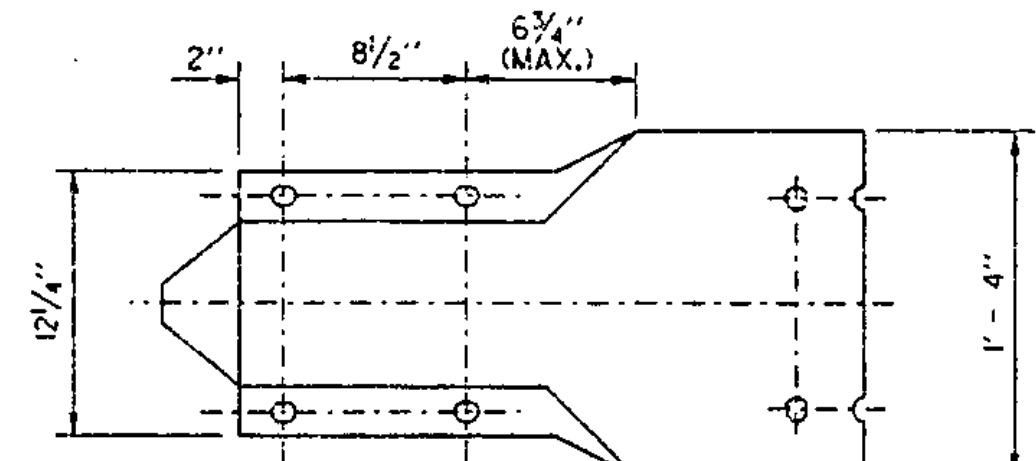


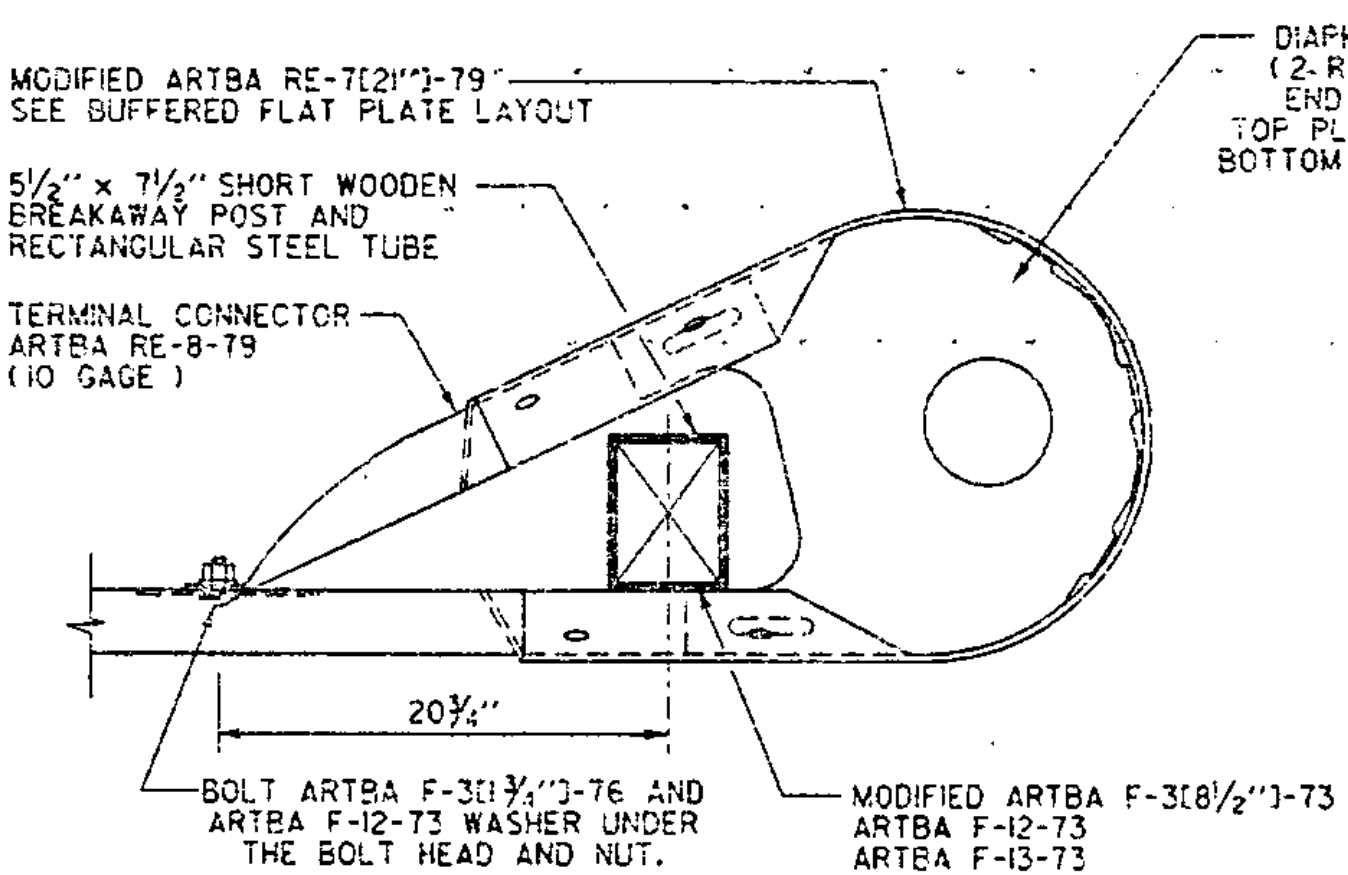
DIAPHRAGM PLATE DETAIL
12 GAGE - (2 REQUIRED EACH TERMINAL)



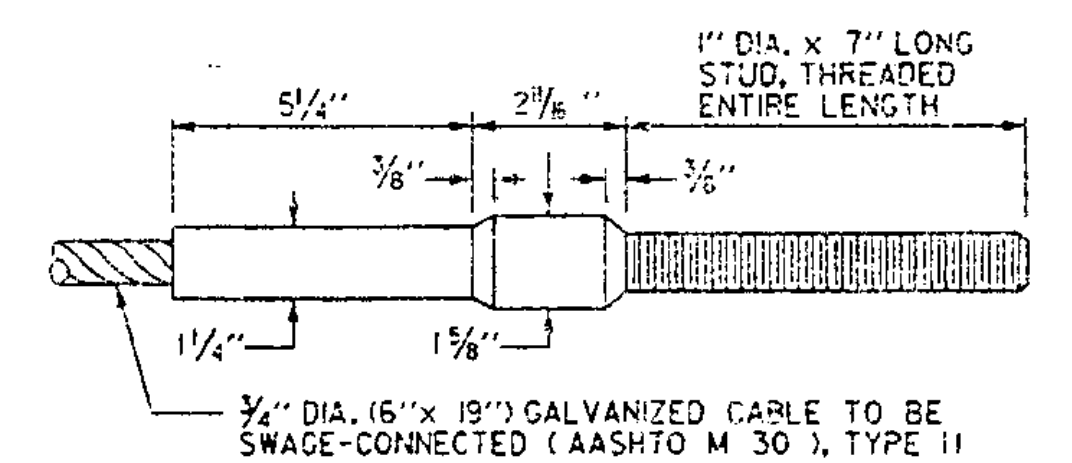
BUFFERED END SECTION PLAN



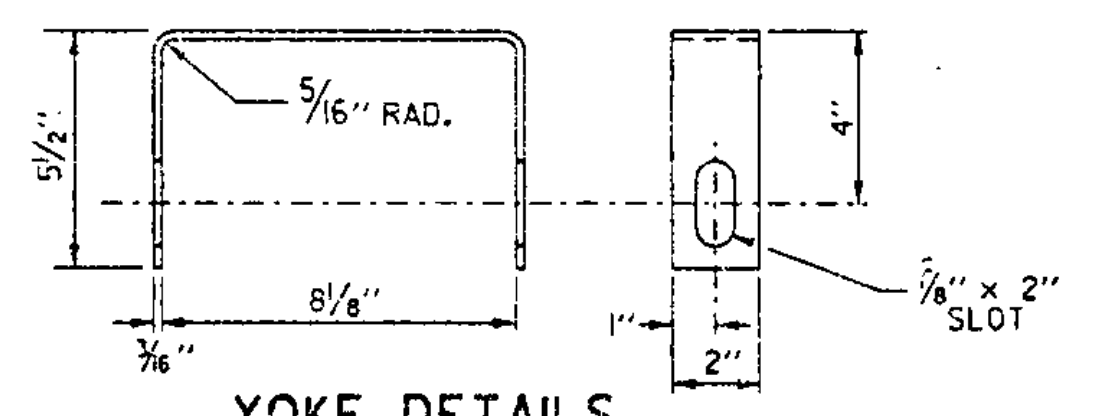
BUFFERED END SECTION ELEVATION



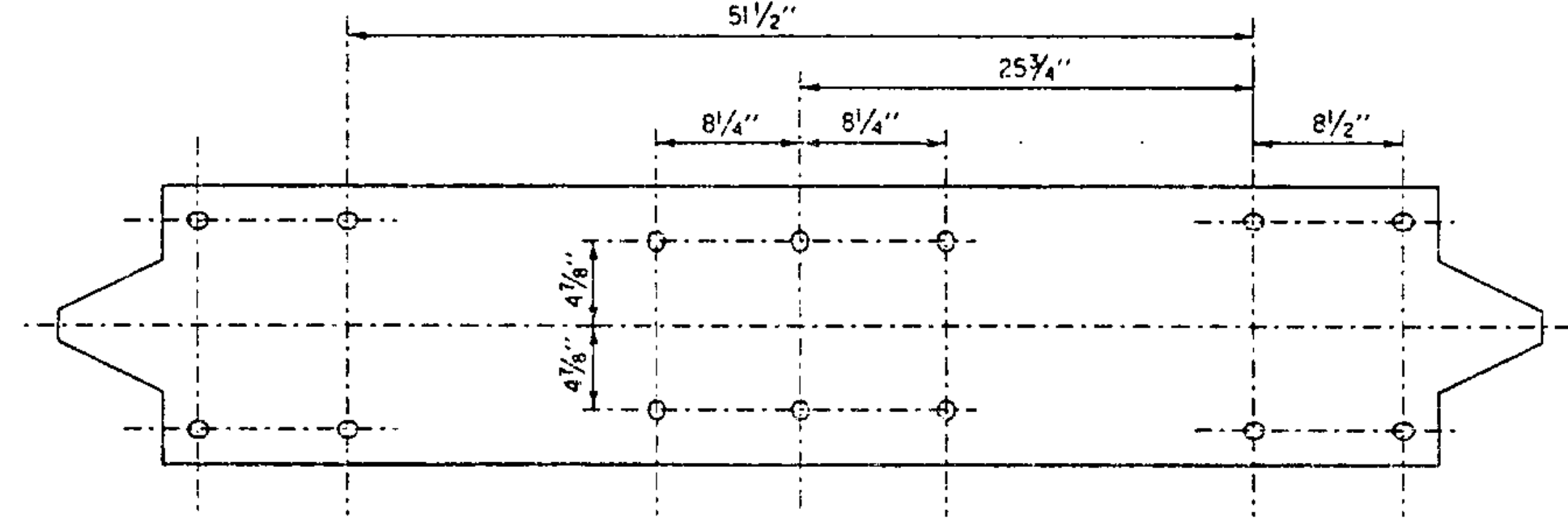
BUFFERED END ASSEMBLY



STANDARD SWAGED FITTING AND STUD CABLE ASSEMBLY ARTBA F-37-76

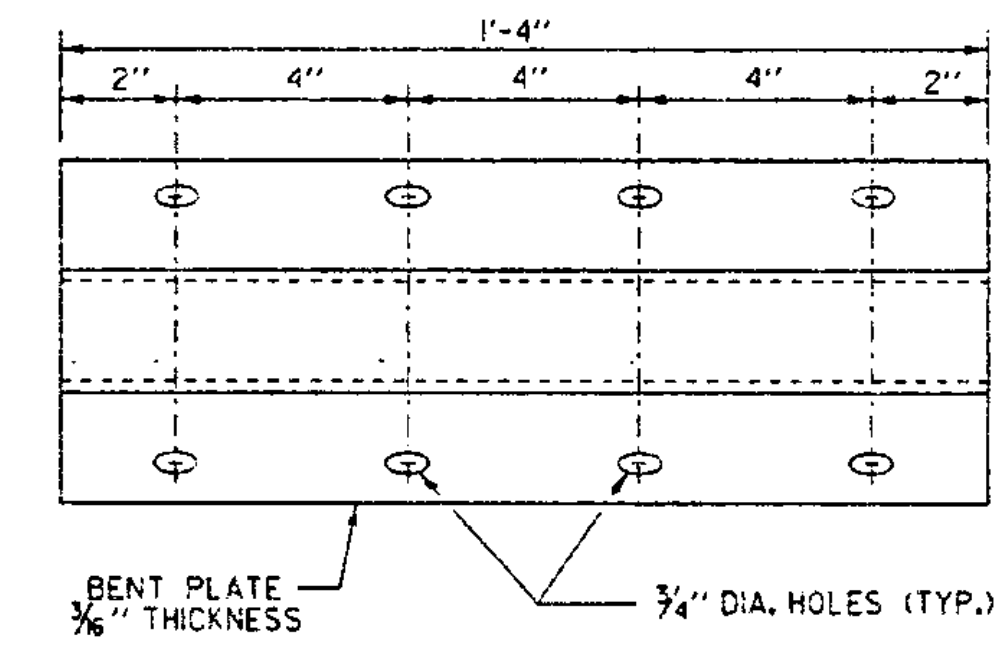


YOKE DETAILS

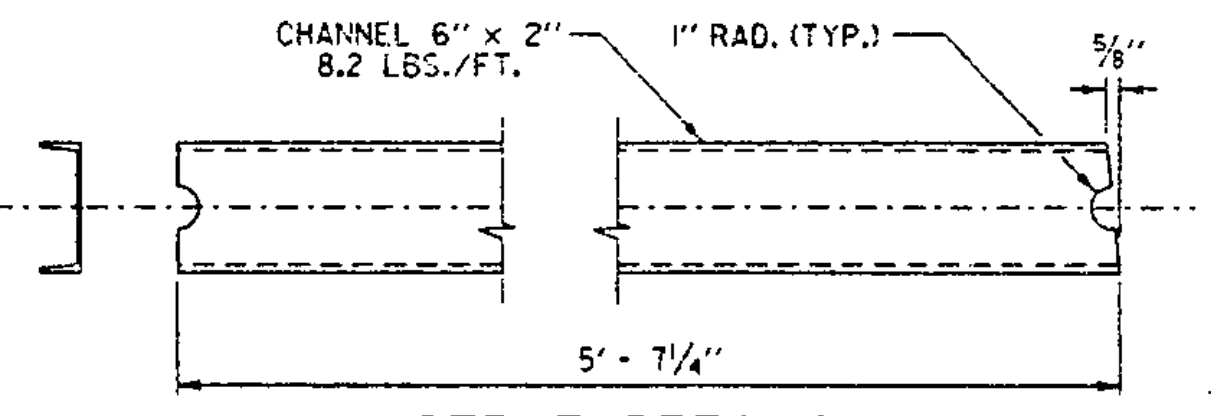
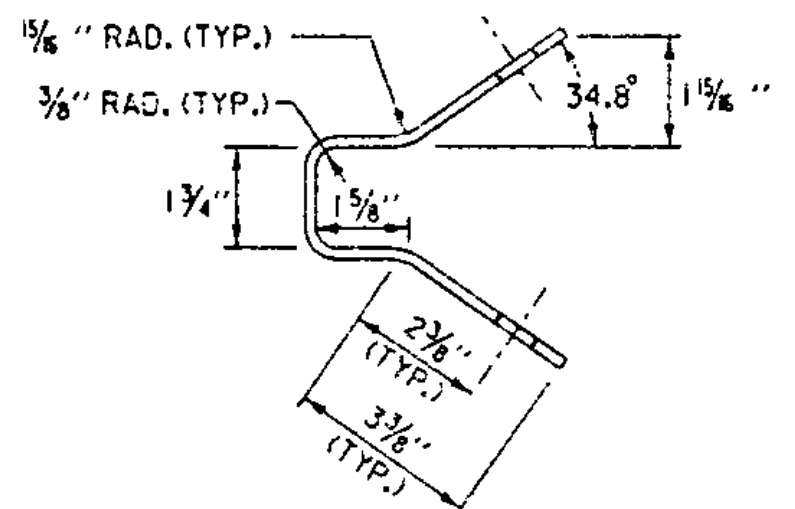


BUFFERED END SECTION FLAT PLATE LAYOUT
(MODIFIED ARTBA RE-7(2)J-79)

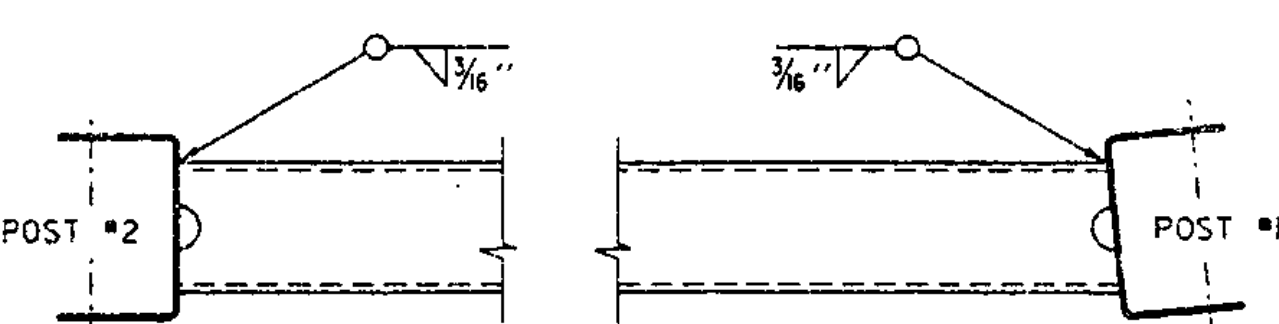
ALL SLOTS 2 1/2" x 1 1/8"
ALL BOLTS ARTBA F-3(1 1/2)J-76



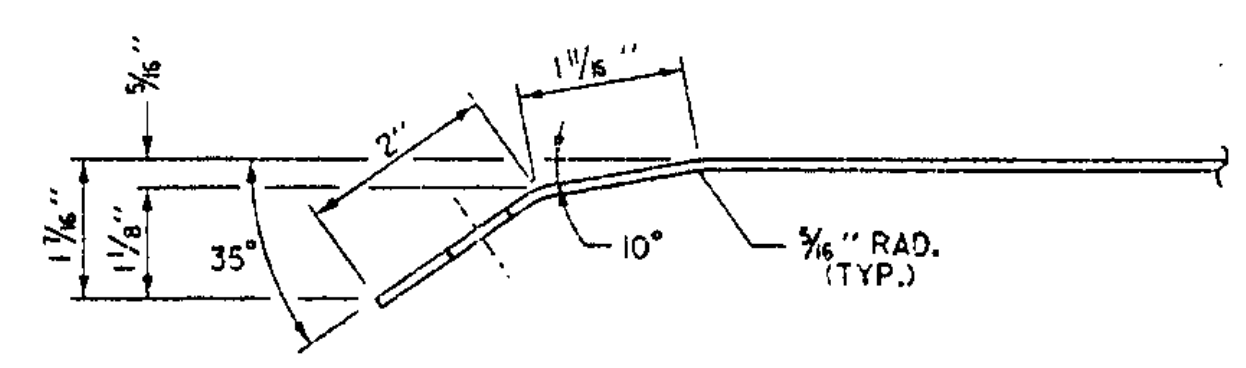
ANCHOR PLATE ARTBA RE-71-79



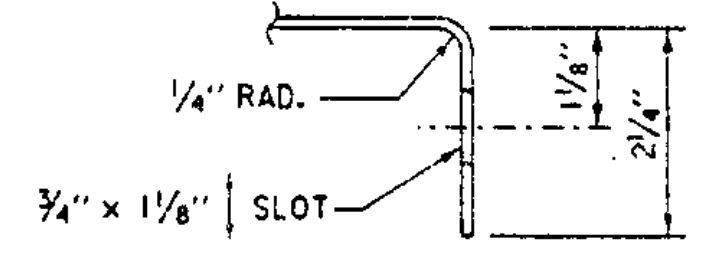
STRUT DETAILS



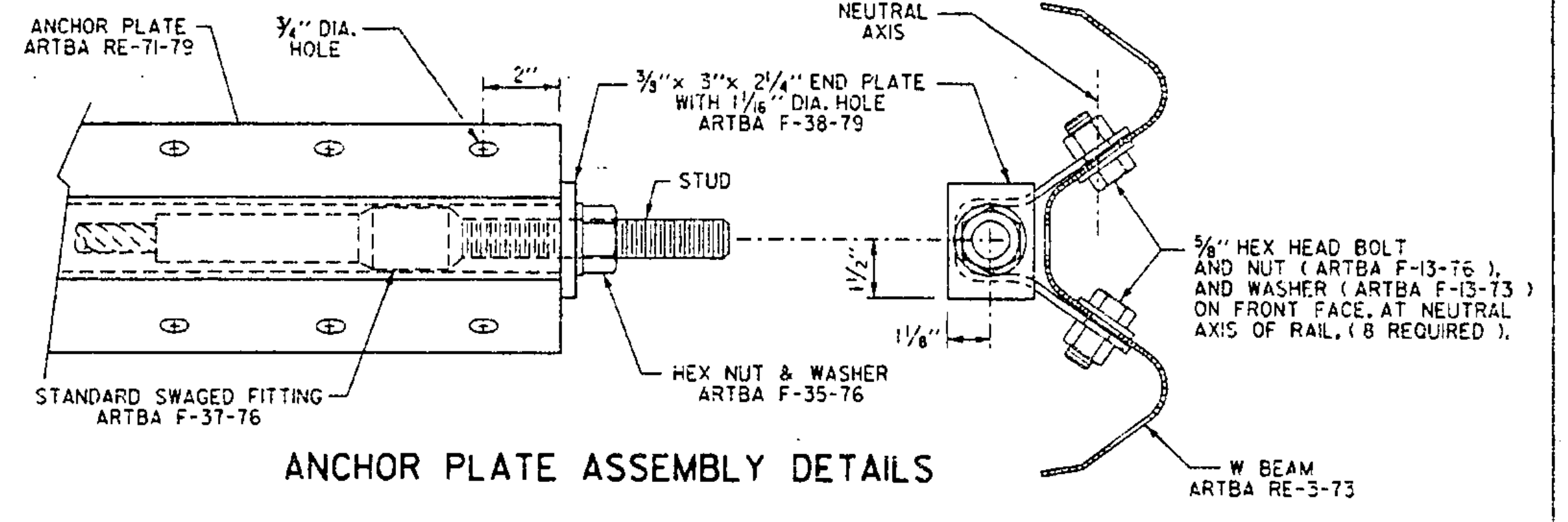
STRUT AND YOKE ASSEMBLY
SHOWN LEGS DOWN, FOR OPPOSITE HAND, INSTALL LEGS UP



DIAPHRAGM PLATE DETAIL SECTION B-B



DIAPHRAGM PLATE DETAIL SECTION C-C

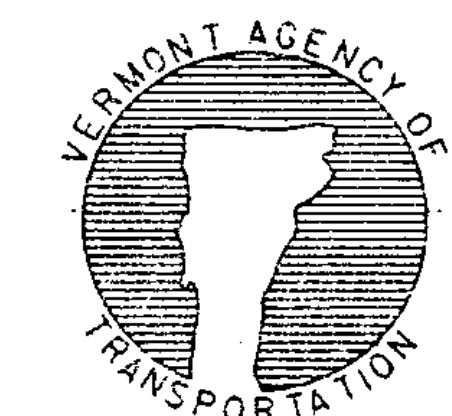


ANCHOR PLATE ASSEMBLY DETAILS

REVISIONS AND CORRECTIONS
JUNE 30, 1995 ORIGINAL APPROVAL

APPROVED
APPROVED FOR THIS PROJECT AND/OR DESIGN IMPLEMENTATION. FHWA FINAL APPROVAL PENDING.
Stephen P. MacArthur
DIRECTOR OF ENGINEERING
Robert M. Munn
DESIGN ENGINEER

MODIFIED ECCENTRIC LOADER TERMINAL WITH WOOD POSTS (MELT)



STANDARD G-17 b