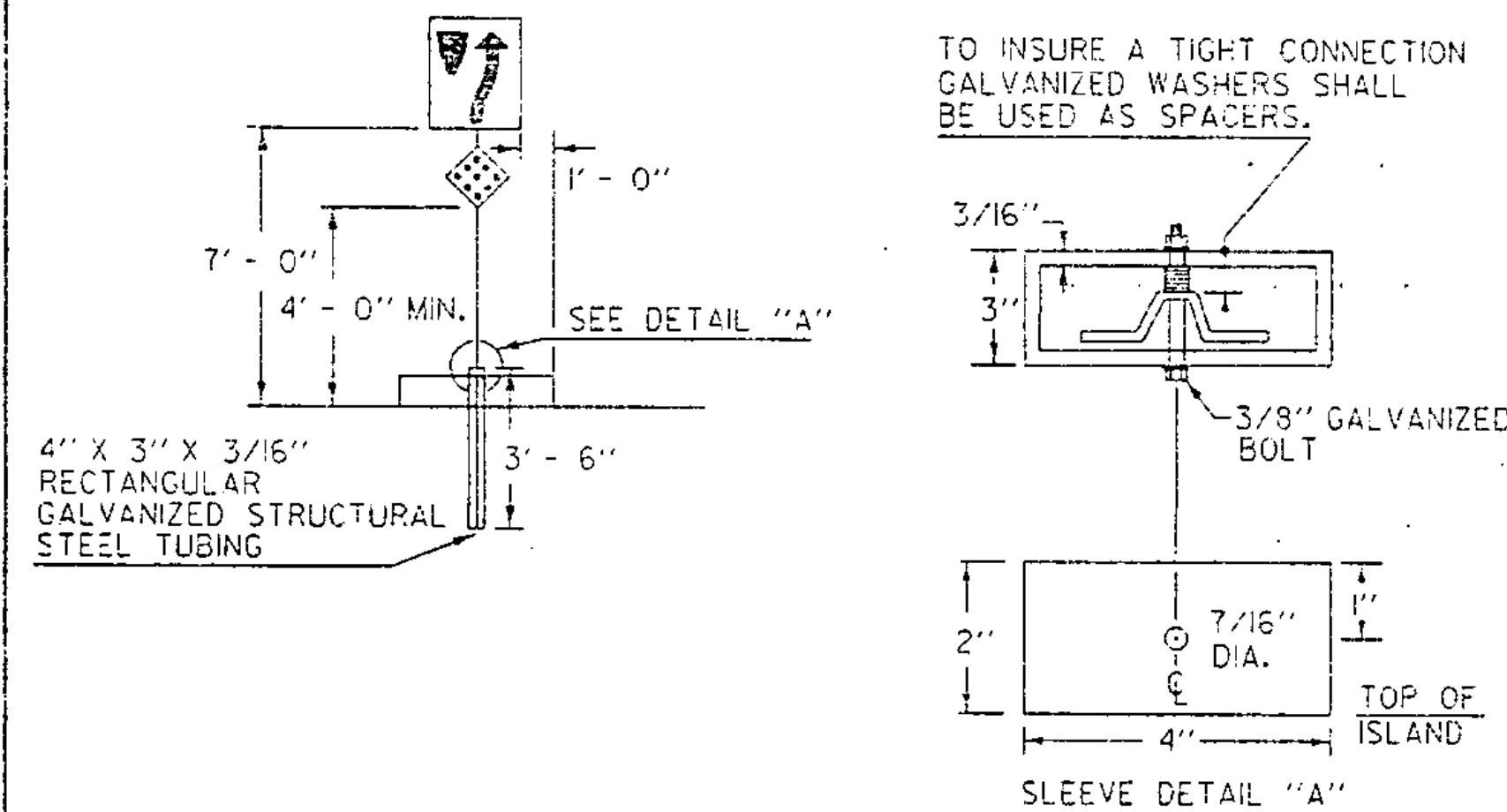
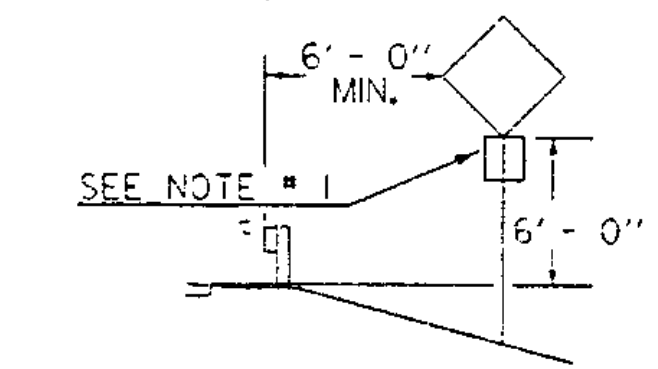
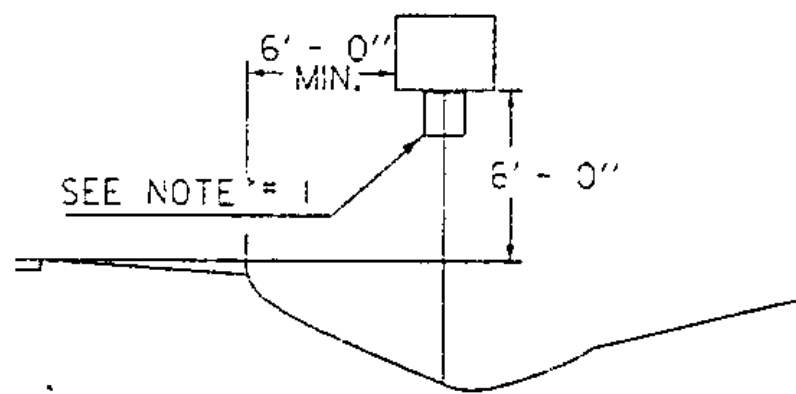
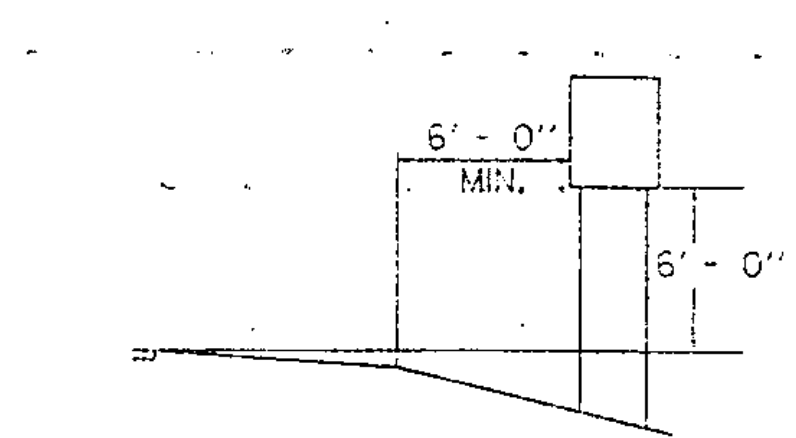


LEGAL LOAD LIMIT AND STOP SIGNS AT INTERSECTIONS WITH TOWN HIGHWAYS

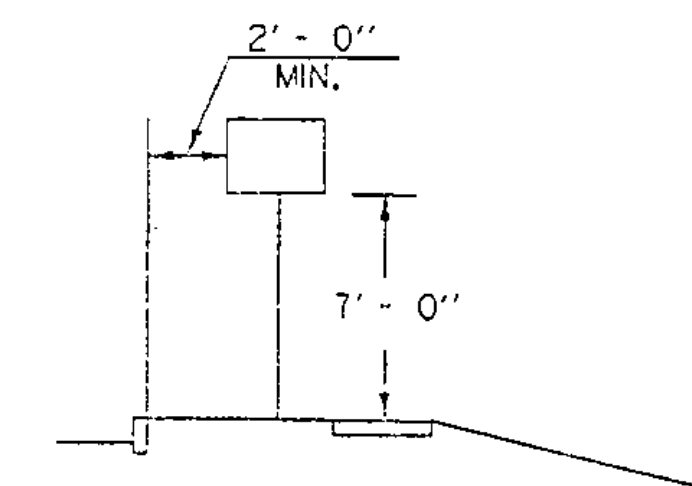
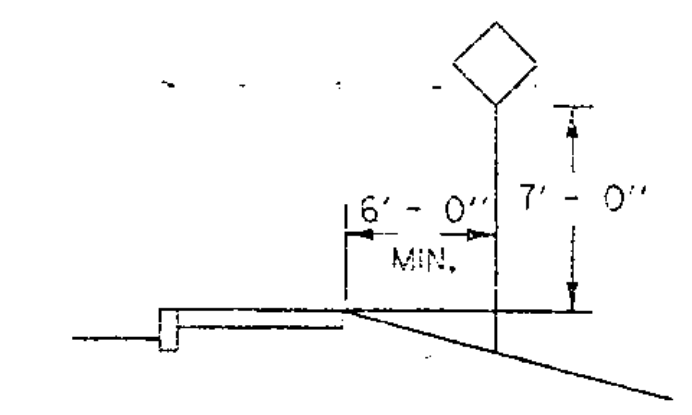


SIGNS ON MEDIAN ISLANDS IN THE LINE OF TRAFFIC

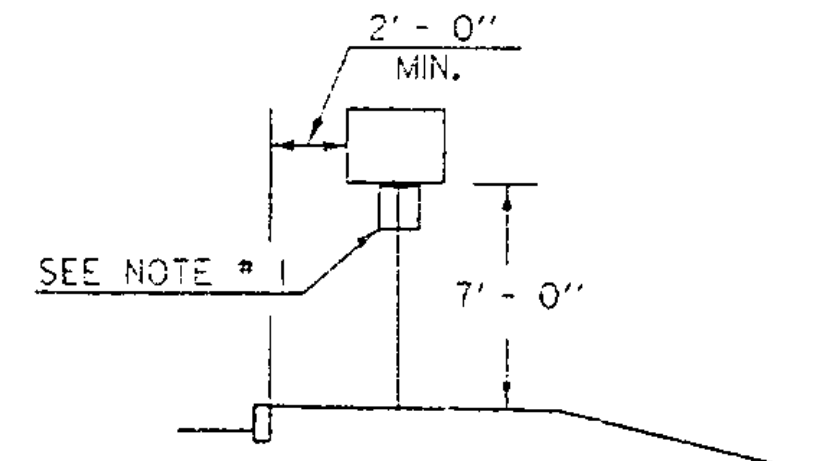
INCREASE VERTICAL CLEARANCE TO 7' IN AREAS OF FREQUENT ROADSIDE PARKING OR PEDESTRIAN ACTIVITY



RURAL



IF SUFFICIENT CLEARANCE IS NOT AVAILABLE BETWEEN CURB AND SIDEWALK MOUNT SIGN BEHIND SIDEWALK AS SHOWN AT TOP. CHECK FOR ADEQUATE R.O.W..



URBAN

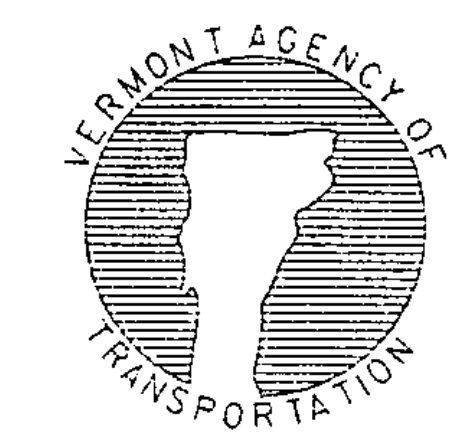
- NOTES:**
1. IN BOTH RURAL AND URBAN LOCATIONS, IF A SECONDARY SIGN IS MOUNTED BELOW ANOTHER SIGN, THE MINIMUM CLEARANCE MAY BE REDUCED BY ONE FOOT.
 2. IN RURAL AREAS WITH NO OR MINIMAL SHOULDER, THE LATERAL CLEARANCE TO THE EDGE OF A SIGN SHOULD BE A MINIMUM OF 12' FROM THE EDGE OF THE TRAVELED WAY.
 3. ALSO SEE OTHER STANDARD SHEETS FOR MOUNTING CLEARANCE AND SPACING OF DESTINATION AND ROUTE MARKER ASSEMBLIES AND TOWN LINE SIGNS.
- POST REFERENCE:
REFER TO THE DETAILS ON THE APPROPRIATE STANDARD DRAWING FOR INFORMATION CONCERNING THE PROPER MOUNTING OF SIGNS ON APPROPRIATE POSTS.

OTHER STDS. E-160 E-161 E-162 E-163 E-164
REQUIRED:

REVISIONS AND CORRECTIONS
JAN. 23, 1995 - DATE OF ORIGINAL ISSUE
AUG. 08, 1995 - VARIOUS MINOR NOTE REVISIONS

APPROVED
Stephen D. McCutchen
DIRECTOR OF ENGINEERING
David A. Ross
TRAFFIC AND SAFETY ENGINEER

**STANDARD SIGN PLACEMENT
CONVENTIONAL ROAD**



**STANDARD
E-121**

APPROVED FOR THIS PROJECT AND/OR DESIGN IMPLEMENTATION, FHWA FINAL APPROVAL PENDING.