

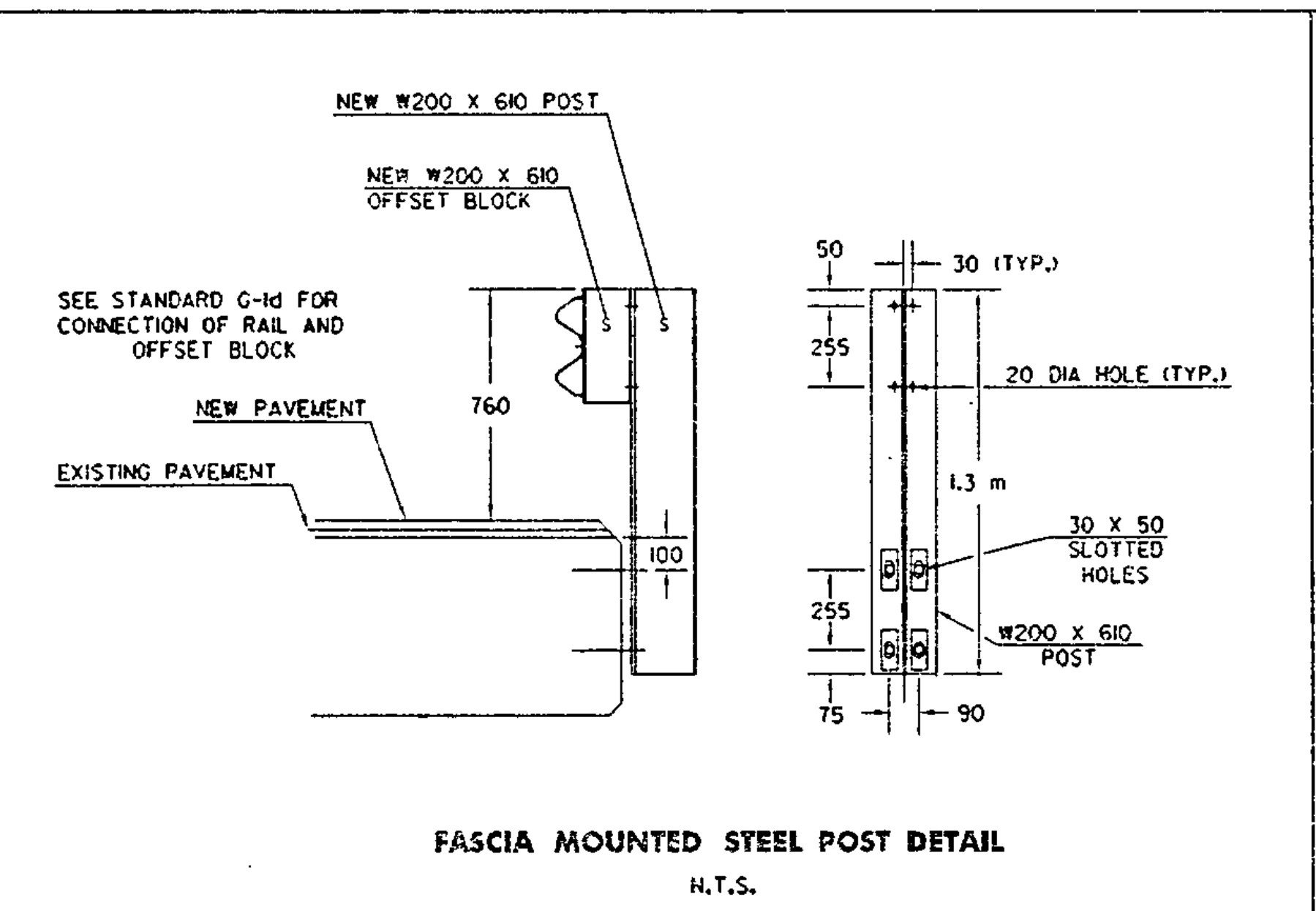
BRIDGE #47 @ STA 1+414

SCALE 1:100

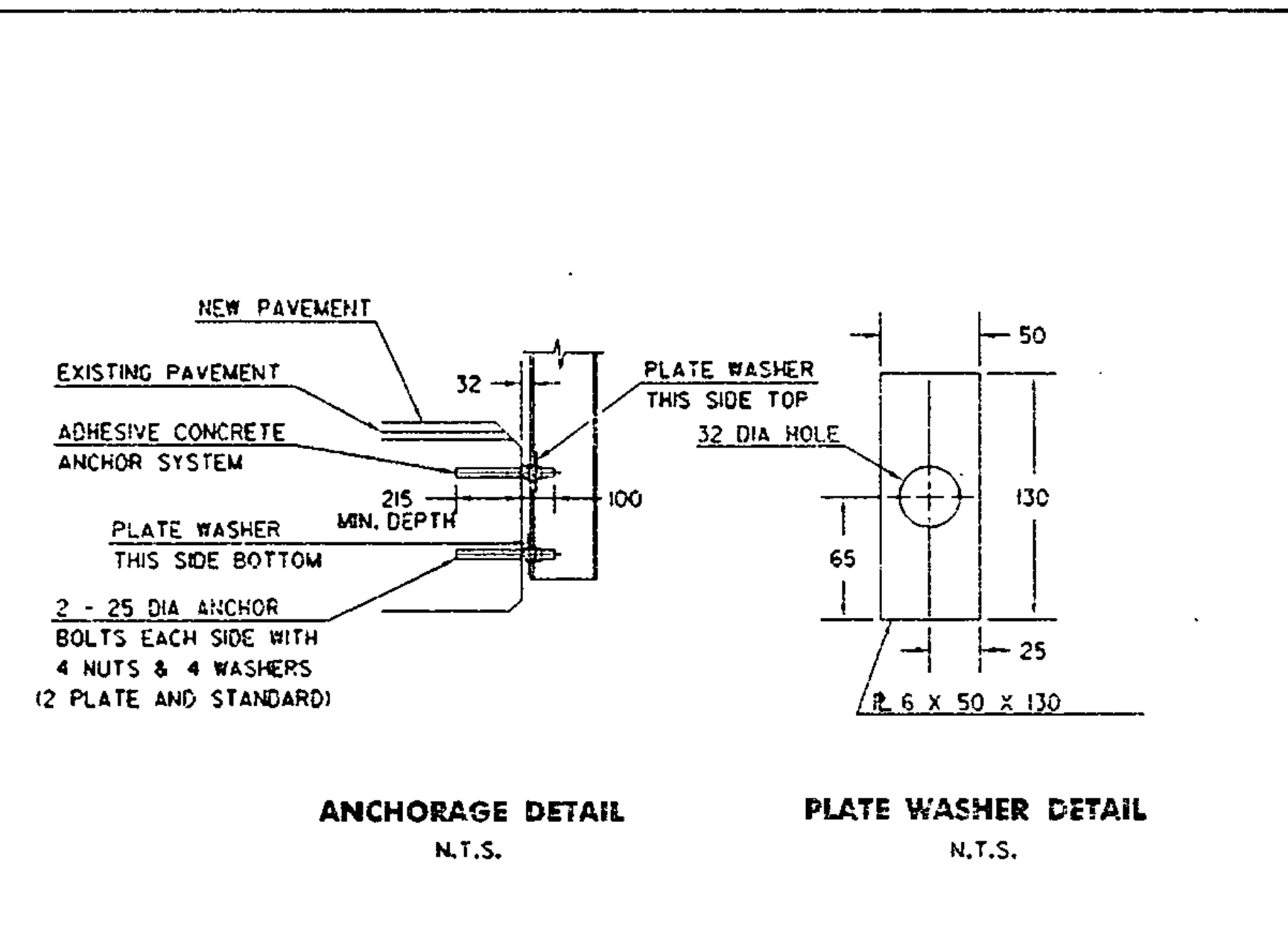
NOTES

1. ANCHOR BOLTS SHALL BE ASTM A307, 25 mm DIAMETER BY 355 mm IN LENGTH WITH A MINIMUM THREAD LENGTH OF 100 mm.
2. ANCHOR BOLTS, NUTS AND WASHERS SHALL BE GALVANIZED IN ACCORDANCE WITH ASTM 153 (AASHTO M 232) AND SHALL CONFORM TO VT SPECIFICATION T14 UNLESS OTHERWISE NOTED.
3. INSTALLATION OF NEW ANCHOR BOLTS AND POSTS SHALL BE SUBSIDIARY TO THE BRIDGE RAIL ITEM.
4. POSTS, BRACKETS AND PLATE WASHERS SHALL BE ASTM A36 STEEL.
5. A MINIMUM PULOUT STRENGTH OF 13 600 kg SHALL BE ATTAINED ON ALL NEW BOLTS THAT ARE GROUTED IN PLACE. A SAMPLE GROUTED BOLT WILL BE TESTED BEFORE MATERIALS ARE APPROVED FOR USE, AND THEN RANDOM BOLTS WILL BE FIELD TESTED BY THE STATE OF VERMONT TO ENSURE THIS STRENGTH IS BEING ATTAINED. 48-HOURS ADVANCE NOTICE IS REQUIRED TO ALERT THE VAOT AS TO WHEN THE CONTRACTOR WILL BE READY FOR THIS TESTING.
6. THE CONTRACTOR'S ATTENTION IS CALLED TO THE FACT THAT ALL LANES SHALL BE OPENED TO TRAFFIC DURING NON-WORKING HOURS, THEREFORE, NO GAPS BETWEEN EXISTING RAILING AND NEW RAILING WILL BE PERMITTED. DETAILS FOR TEMPORARY RAIL, IF REQUIRED TO BRIDGE THESE GAPS, SHALL BE SUBMITTED FOR APPROVAL. THE CONTRACTOR WILL BE ALLOWED TO WORK ON THE RAIL ON ONLY ONE SIDE OF THE BRIDGE AT A TIME. TWO WAY TRAFFIC SHALL BE MAINTAINED AT ALL TIMES. ANY TEMPORARY RAIL REQUIRED SHALL BE PAID SUBSIDIARY TO ITEM 62121 - "HEAVY DUTY STEEL BEAM GUARDRAIL."
7. THESE CONTRACT DOCUMENTS HAVE BEEN PREPARED BASED ON LIMITED FIELD INVESTIGATION AND RECORD DRAWINGS AVAILABLE AT THE TIME. ACTUAL FIELD CONDITIONS MAY REQUIRE MODIFICATIONS TO THE CONSTRUCTION DETAILS AND WORK QUANTITIES. THE CONTRACTOR SHALL PERFORM THE WORK IN ACCORDANCE WITH FIELD CONDITIONS. ALL DIMENSIONS AND JOINT LOCATIONS SHALL BE FIELD CHECKED BY THE CONTRACTOR PRIOR TO SUBMISSION OF FABRICATION DRAWINGS FOR APPROVAL.

NOTE: ALL DIMENSIONS IN MILLIMETERS EXCEPT AS INDICATED.



FASCIA MOUNTED STEEL POST DETAIL
N.T.S.



ANCHORAGE DETAIL
N.T.S.

PLATE WASHER DETAIL
N.T.S.

DATUM	
VERTICAL	
HORIZONTAL	

BRIDGE DETAIL SHEET #2	PROJECT :	RANDOLPH-BRAINTREE	PROJECT NO. :	STP 9602(1)S
	DESIGN FILE NAME:	/pave/95c018/pc018.dgn		
	P&M FILE NAME:	pc018dftc.i	PLOT DATE:	8/96
	SURVEYED BY:	CLD	SURVEY DATE:	11/95
	SOUND LEADER:	JAT	DRAWN BY:	SJS
			SHEET:	13 OF 14