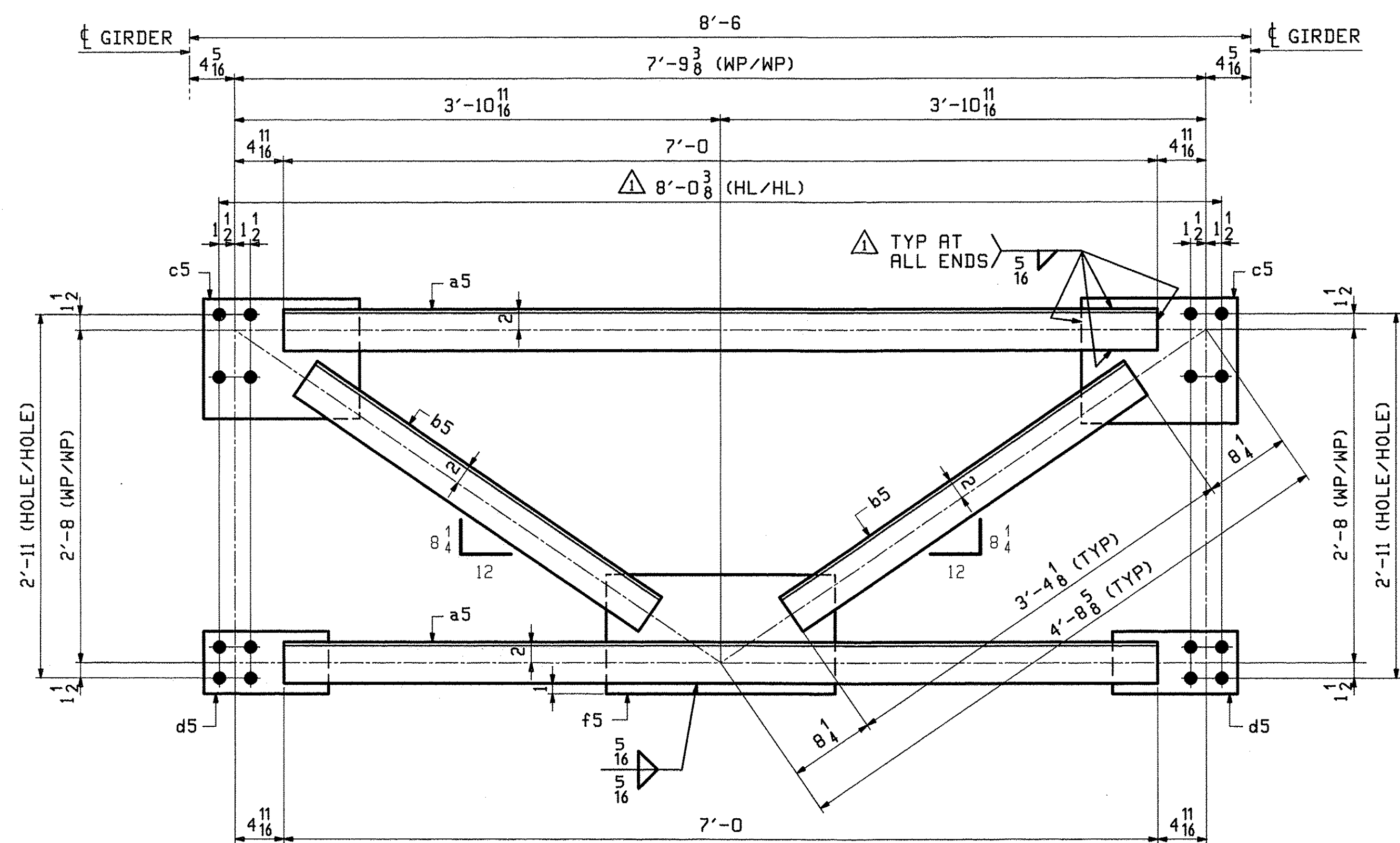
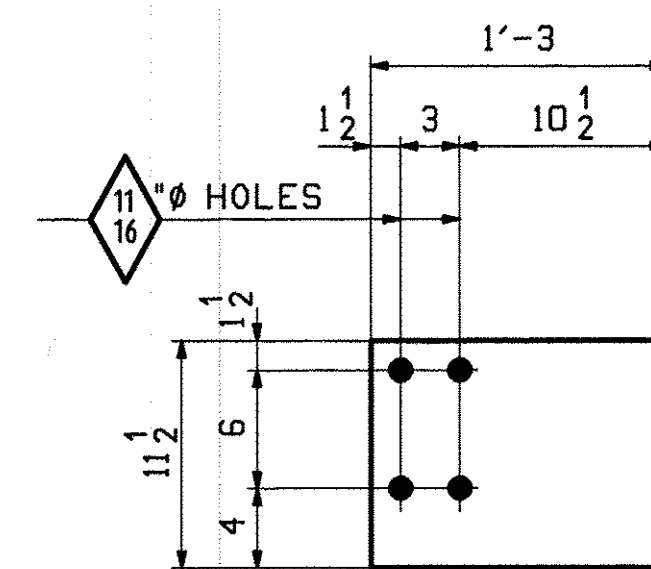


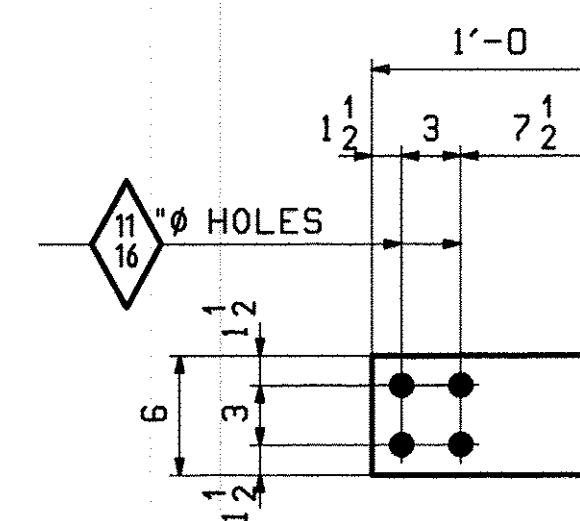
3 ~ BRG DIAPHRAGMS - 5D1



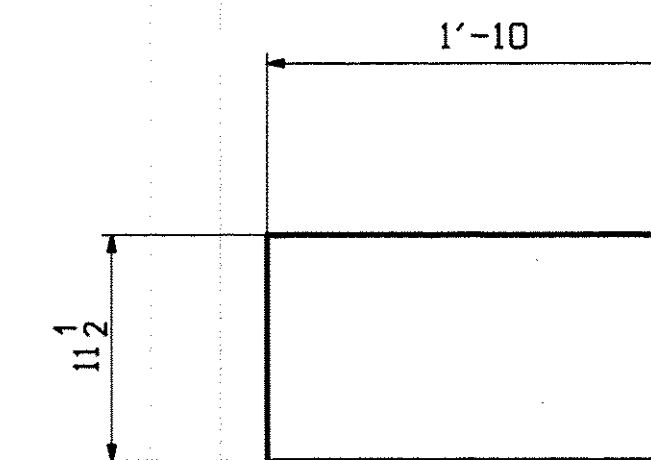
24 - CROSSFRAMES - 5CF1



DETAIL ~ c5  
(48 REQ'D)



DETAIL ~ d5  
(48 REQ'D)



DETAIL ~ f5  
(24 REQ'D)

ABM INFO		SHIP		BILL OF MATERIAL				JOB NO.	DRAWING NO.	REV.
								507	5	△
PAGE	LINE	MARK	QTY	MARK	MATERIAL	LENGTH	REMARKS	WT	PROCUREMENT	
						FT INCHES			NOTES	
		5D1	3		DIAPHRAGMS				1193	
2	S		3	W	36x135	8 10 1/16	M270-50W			
		SCF1	24		CROSSFRAMES				320	
2	K		48	a5	L 4x4x 3/8	7 0	M270-50W			
2	L		48	b5	L 4x4x 3/8	3 4 8	M270-50W			
2	M		48	c5	PL 9/16x11 1/2	1 3	M270-50W			
2	N		48	d5	PL 9/16x6	1 0	M270-50W			
2	P		24	f5	PL 9/16x11 1/2	1 10	M270-50W			

VTrens  
Received  
CHK'D BY: \_\_\_\_\_  
DEC 7 2011  
Resubmit: \_\_\_\_\_ APPROVED: \_\_\_\_\_  
BY: *CWC* DATE: *12-8-11*

NOTES:  
FOR GENERAL NOTES SEE DRAWING GNI.

△	11/30	APPROVAL COMMENTS	TJB	PCP		
0					12-1-11	
REV.	DATE	REMARKS	DWN	CHK	APVL	SHOP
		MATERIAL: SURFACE PREP. & PAINT: HOLES: SHOP BOLTS:				
		M270-50W SEE DWG GNI AS NOTED				NONE
DESCRIPTION: DIAPHRAGMS & CROSSFRAMES						
CASCO BAY STEEL STRUCTURES, INC. 1 WALLACE AVE. PHONE (207) 780-6722 SOUTH PORTLAND, ME 04106 FAX. (207) 780-6725						
STRUCTURE: VT 12 over LOCUST CREEK			DRAWN:	DATE:		
BRIDGE 30			TJB	10/06		
BETHEL			CHKD:	DATE:		
Windsor County			PCP	10/11		
LOCATION: BETHEL			JOB NO.	DWG NO.		
PROJ NO. BHF 0241(30)			507	5		
CUSTOMER: VERMONT AOT				REV.	△	