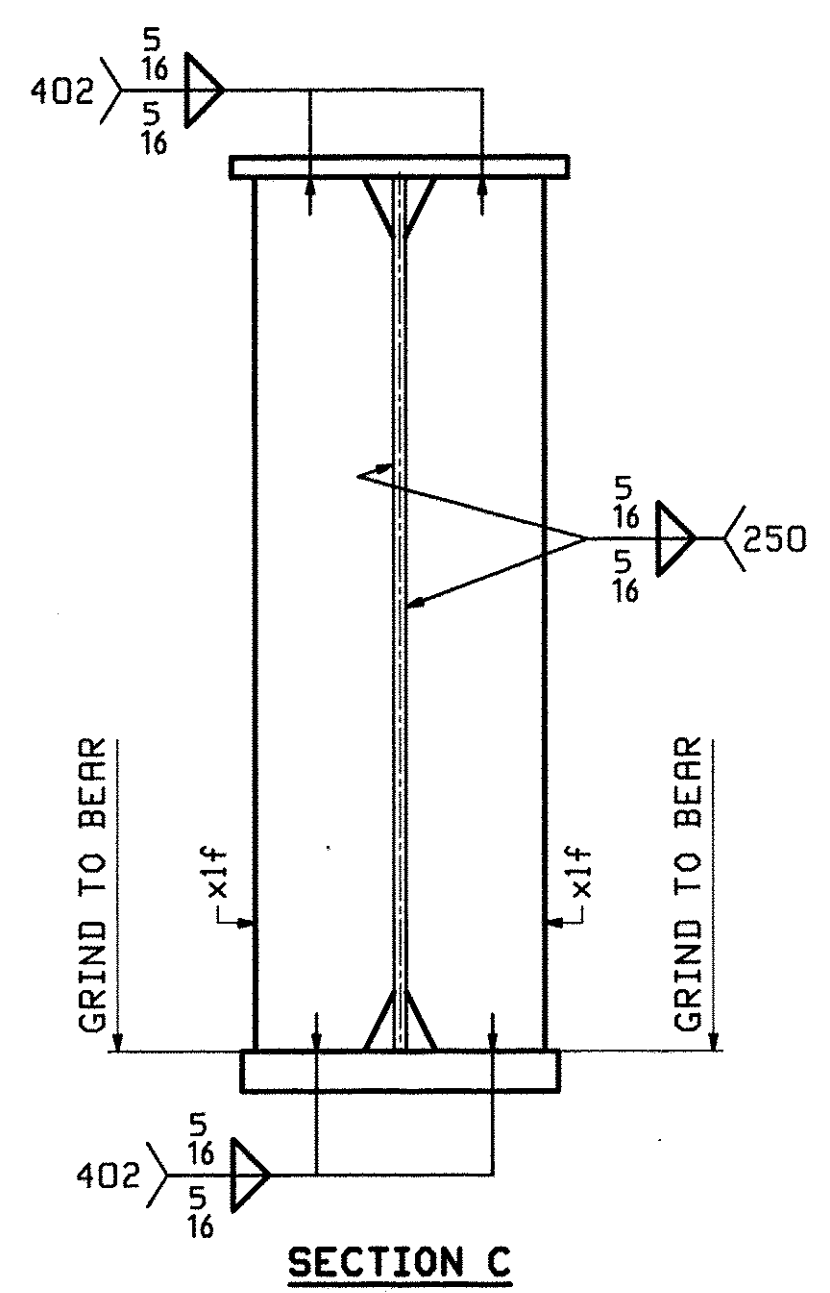
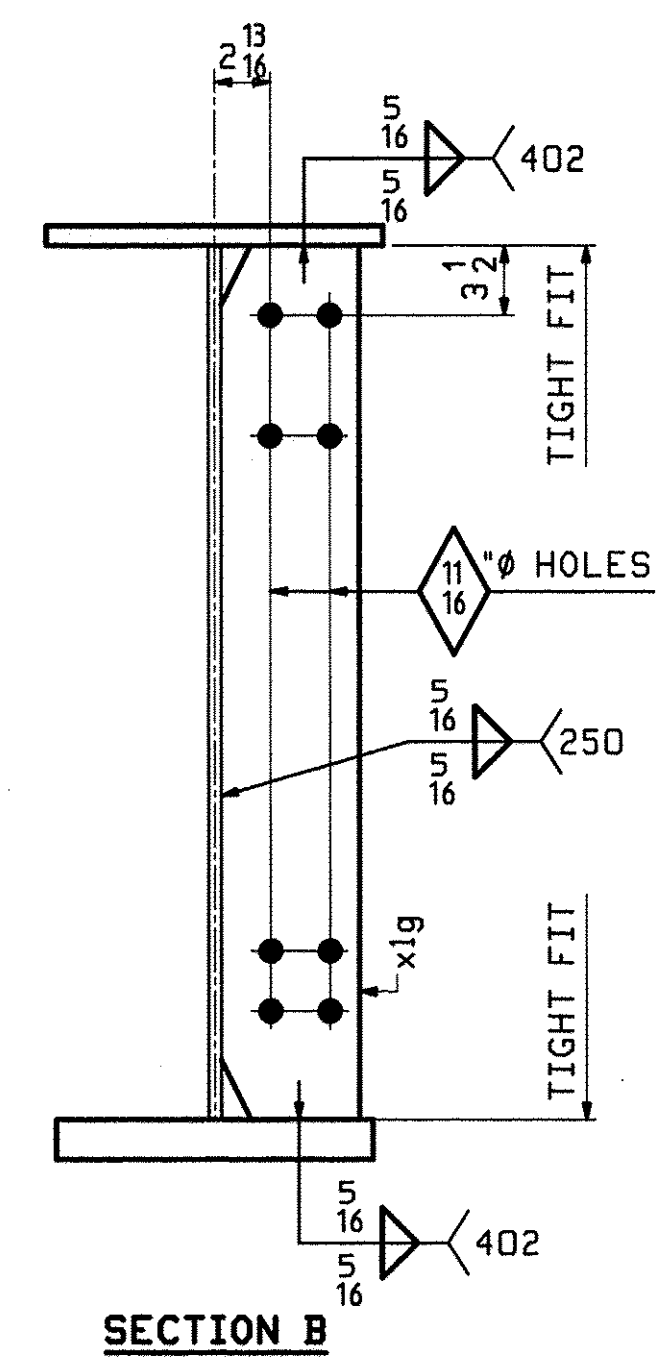
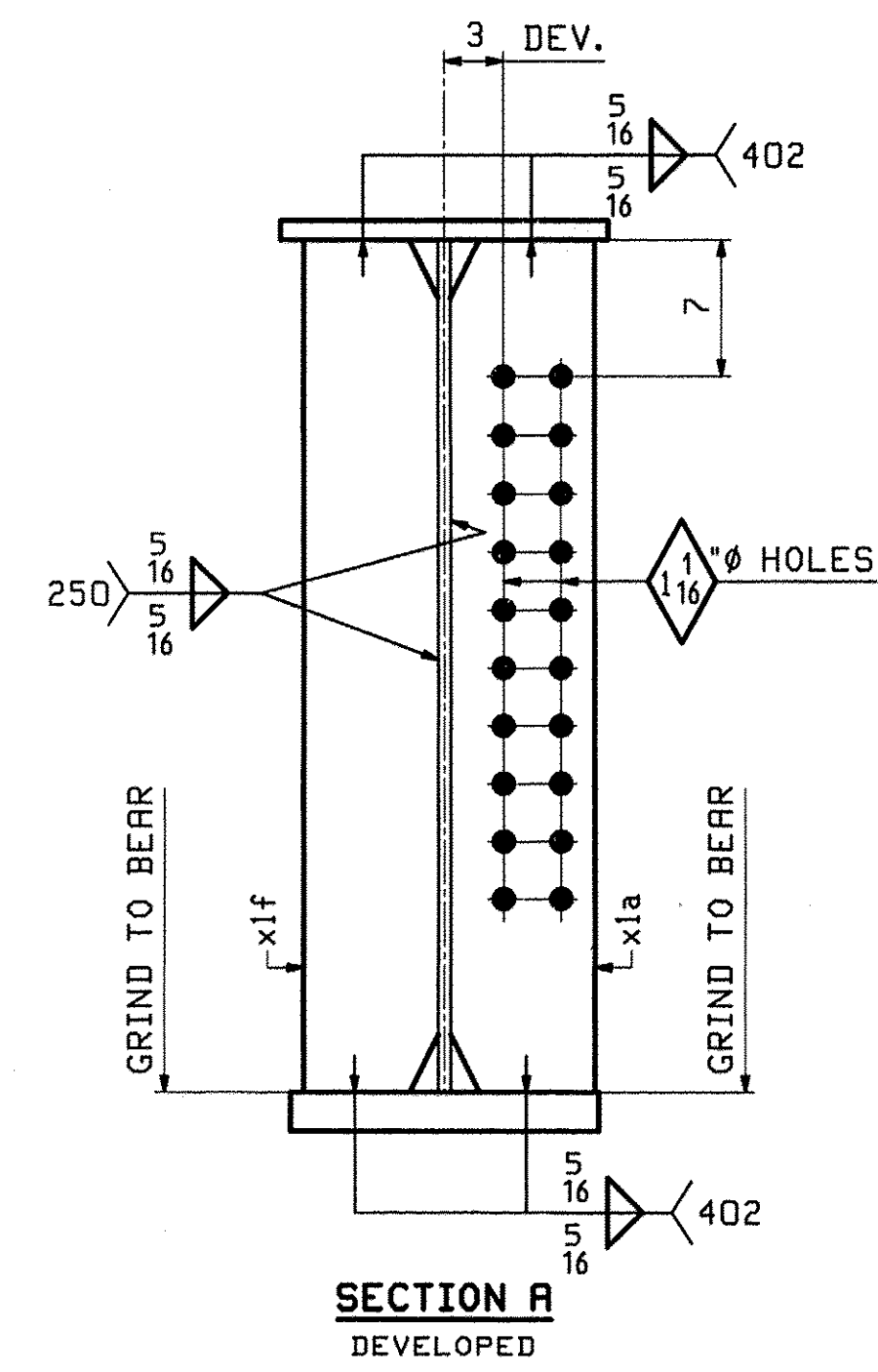
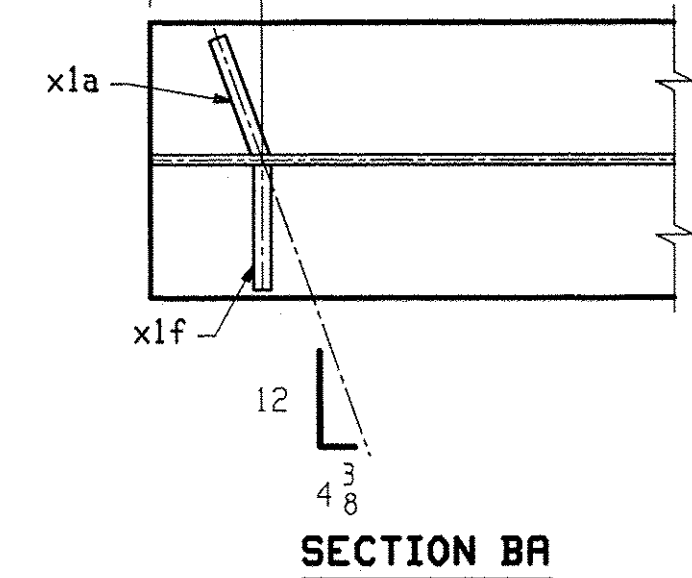
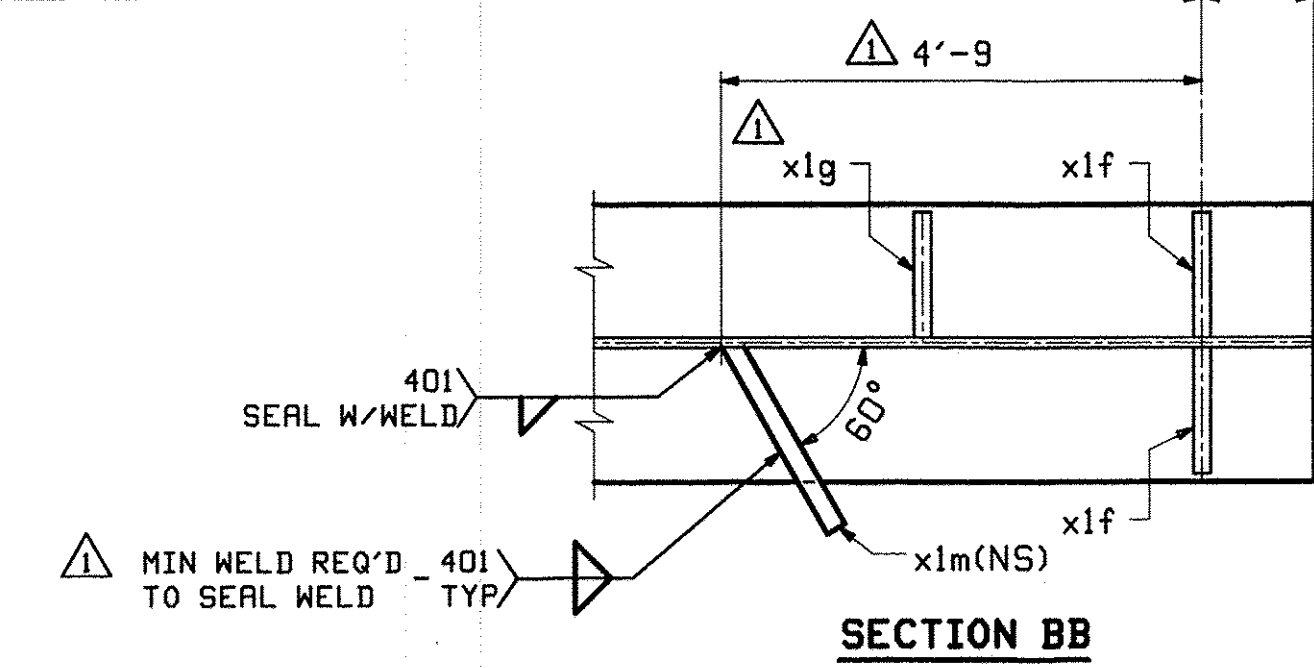
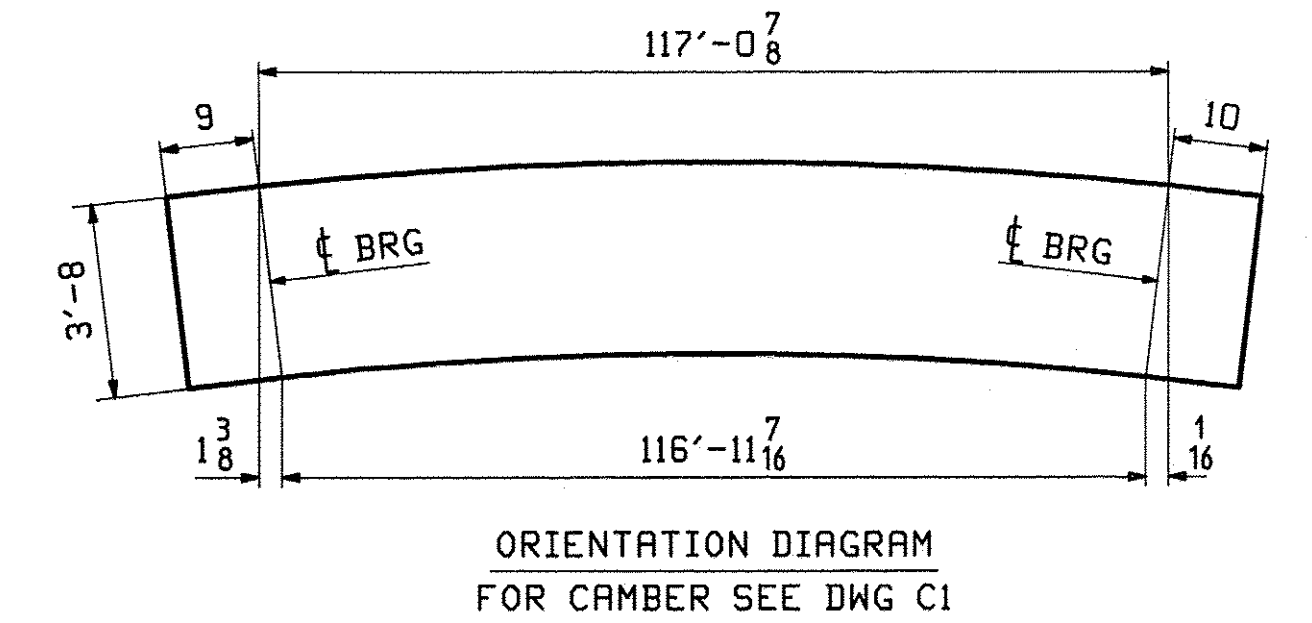


ONE - GIRDER - 4G4

FOR GIRDER STANDARD DETAILS SEE DRAWING X1.
 FOR CAMBER & FLANGE DIAGRAMS SEE DRAWING C1.
 FOR GENERAL NOTES SEE DRAWING GNI.
 T2 DENOTES MATERIAL SUBJECT TO CHARPY V-NOTCH TESTING.



ABH INFO		BILL OF MATERIAL				JOB NO.	DRAWING NO.	REV.	
PAGE	LINE	MARK	QTY	MARK	MATERIAL	LENGTH	REMARKS	WT	PROCUREMENT NOTES
						FT	INCHES		
		4G4	1		GIRDER			31543	
1	J		1	wa	PL 5/8 x 44	76	7 7/8		M270-SQHT2
1	L		1	wb	PL 5/8 x 44	42	1 1/8		M270-SQHT2
1	E		1	ta	PL 1 x 17	74	6		M270-SQHT2
1	G		1	tb	PL 1 x 17	44	1 8/8		M270-SQHT2
1	A		1	ba	PL 2 x 16	74	6		M270-SQHT2
1	C		1	bb	PL 2 x 16	44	0 7/16		M270-SQHT2
2	B		1	x1a	PL 5/8 x 7 9/16	3	8		MIE M270-SQHT2
2	C		3	x1f	PL 5/8 x 7	3	8		MIE M270-SQHT2
2	D		8	x1g	PL 5/8 x 7	3	8		M270-SQHT
2	F		1	x1m	PL 1/4 x 4	0	10 7/16		M270-SQHT



11/30	APPROVAL COMMENTS	TJB	PCP			
0				12-1-11		
REV.	DATE	REMARKS	DWN	CHK	APVL	SHOP
MATERIAL:		SURFACE PREP. & PAINT:		HOLES:		SHOP BOLTS:
M270-50W		SEE DWG GNI		AS NOTED		NONE
DESCRIPTION: GIRDER 4G4						
CASCO BAY STEEL STRUCTURES, INC.						
1 WALLACE AVE.			PHONE (207) 780-6722		TENSOR 3089	
SOUTH PORTLAND, ME 04106			FAX. (207) 780-6726			
STRUCTURE: VT 12 over LOCUST CREEK			DRAWN: TJB		DATE: 10/09	
BRIDGE 30			CHKD: PCP		DATE: 10/11	
BETHEL			JOB NO. 507		DWG NO. 4	
Windsor County			CUSTOMER: VERMONT ROT		REV. 4	

VTrans
 Received
 OK'd by
 DFC 72011
 Resubmit BY: [Signature] APPROVED DATE: [Signature]